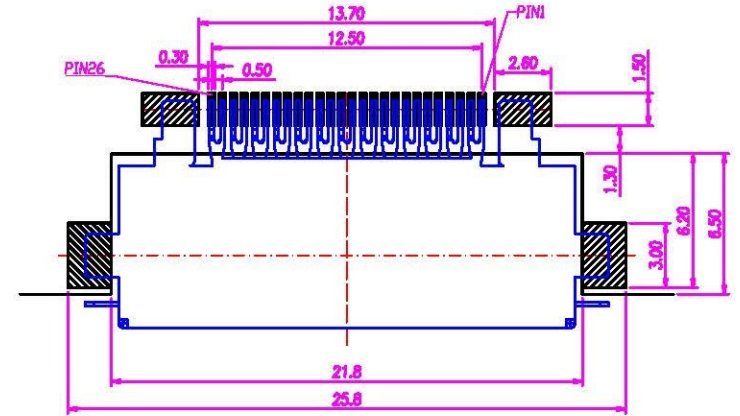
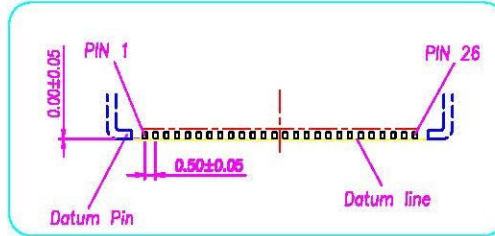
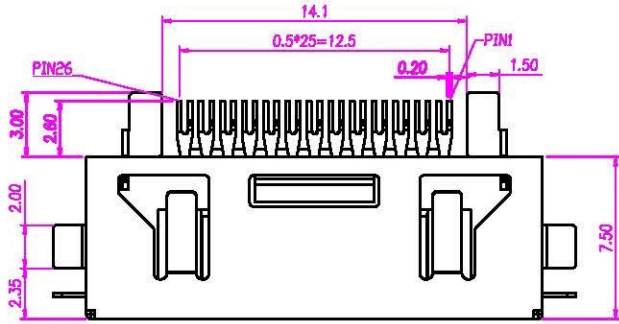


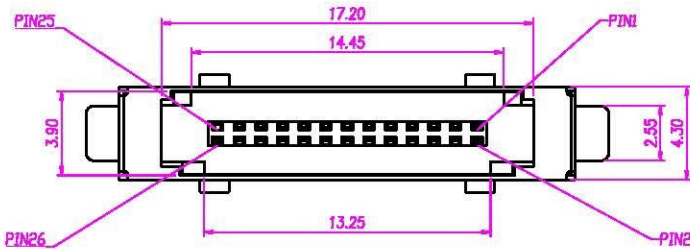
This document is the property of Nian-Yeong Corporation and is delivered on the express condition that it is not to be disclosed, reproduced or used, in whole or in part, for manufacture or sale by anyone other than Nian-Yeong Corporation without its prior consent, and that no right is granted to disclose or to use any information in this document.

# CUSTOMER DRAWING

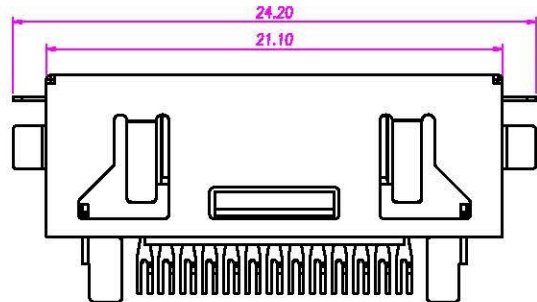
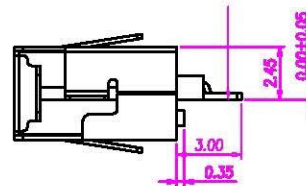
REV.	DESCRIPTION	APPVL. BY	DATE	ECN NO.
A				
B				
C				



## RECOMMEND P.C.B LAYOUT



□ for Pins and Back GND Tabs.



- MATERIAL :
  - 1-1. HOUSING : LCP UL94V-0 ;  
COLOR : BLACK
  - 1-2. CONTACT : COPPER ALLOY
  - 1-3. SHELL : NICKEL SILVER ALLOY
  - 1-4. GROUND : COPPER ALLOY
- FINISH :
  - 2-1. CONTACT :  
CONTACT AREA : 30u" Min. GOLD PLATED.  
SOLDER AREA : GOLD FLISH  
UNDER PLATE : NICKEL
  - 2-2. SHELL : MATTE TIN ON OVER ALL
  - 2-3. GROUND : BRIGHT TIN OVER ALL

DRAW	Yeh Chou	APPVL		UNIT	mm	TOLERANCE		TITLE	PCMCIA 26A(F) 连接器(插接口)-零件全			SHEET	
CHECK				SCALE	1:1	x ±0.20 xx ±0.10 xxx ±0.05 xxxx ±0.03 ANGULA ±1°		www.allconnectors.de Tel.: 0049 7143 7000803 70724 Filberstadt - Germany	info@allconnectors.de Fax: 0049 7143 7000904 kettenstr. 25	PART NO.	PC-26F4-06	DWG NO.	QC5340
												VERSION	A