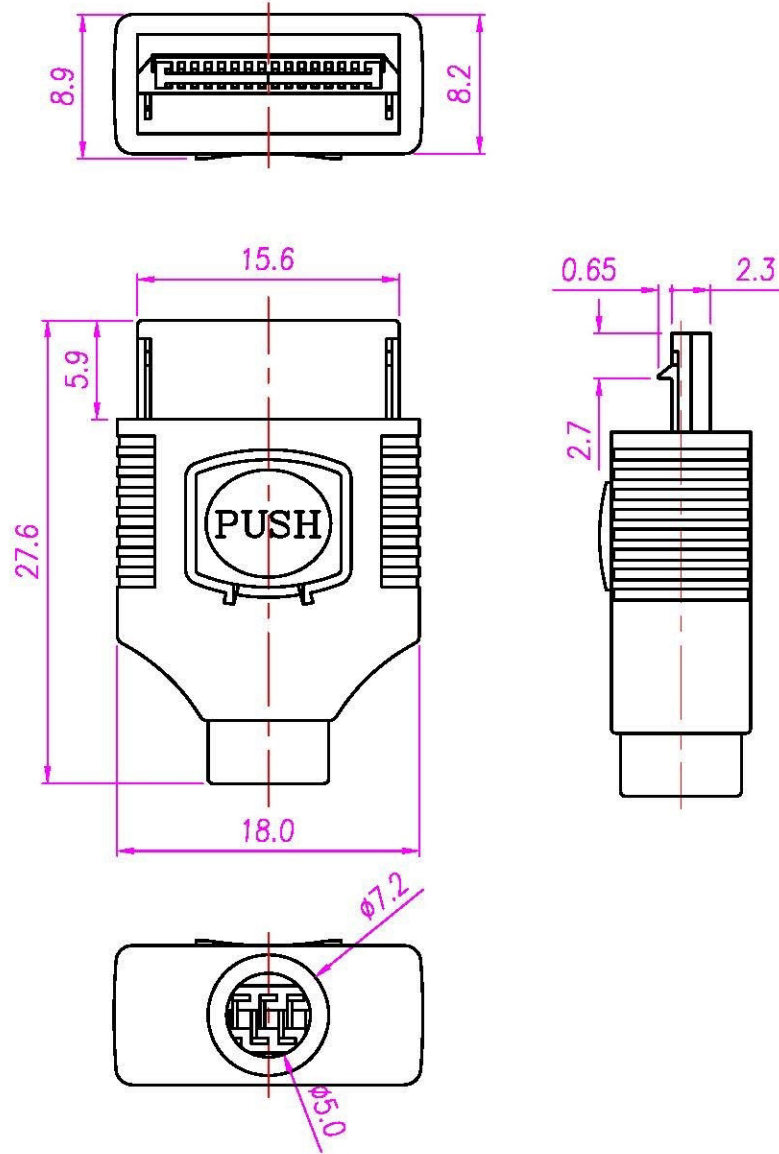


This document is the property of Nan-Yeong Corporation and is delivered on the express condition that it is not to be disclosed, reproduced or used, in whole or in part, for manufacture or sale by anyone other than Nan-Yeong Corporation without its prior consent, and that no right is granted to disclose or to use any information in this document.

CUSTOMER DRAWING

REV.	DESCRIPTION	APPVL. BY	DATE	ECN NO.
A	RELEASE	Fido Veng	22/12/08'	
B				
C				



NOTE:

1.MATERIAL:

- 1-1.HOUSING:NYLON
- 1-2.TERMINAL:PHOSPHOR BRONZE
- 1-3.UPPER SHIELD COVER:STAINLESS STEEL
- 1-4.LOWER SHIELD COVER:STAINLESS STEEL
- 1-5.PLASTIC OVERCOAT:PC-UL94-V0

DRAW	DATE	22/12/08'	UNIT	MM	TOLERANCE		TITLE	PCMCIA 16P 公座 成品			SHEET	
CHECK	APPVL		SCALE	1:1	.x ±0.20 .xx ±0.10 .xxx ±0.05 .xxxx ±0.03 ANGULA ±1°		www.allconnectors.de TEL: 0640 711 7000503 70724 Hilderstadt - Germany	info@allconnectors.de Fax: 0640 711 7000504 Kettnerstr. 25	PART NO.	PC-16M2-01	DWG NO.	QC0831