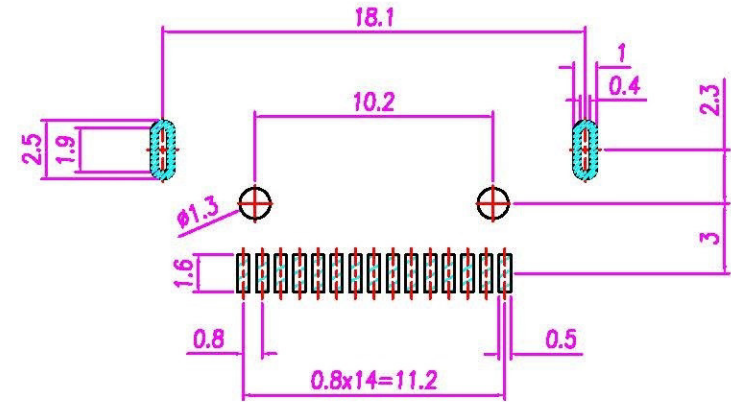
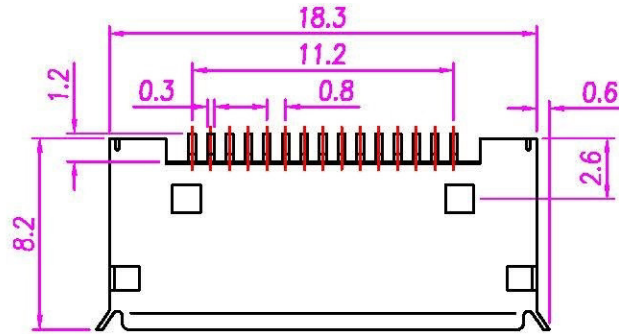


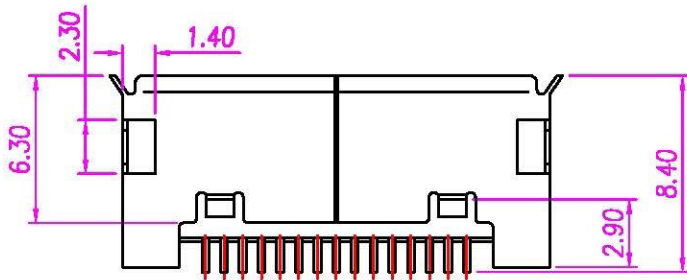
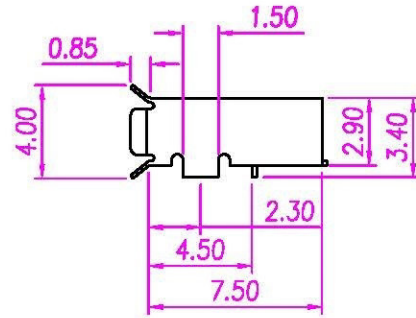
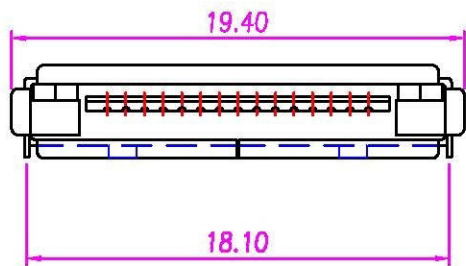
This document is the property of Nian-Yeong Corporation and is delivered on the express condition that it is not to be disclosed, reproduced or used, in whole or in part, for manufacture or sale by anyone other than Nian-Yeong Corporation without its prior consent, and that no right is granted to disclose or to use any information in this document.

CUSTOMER DRAWING

REV.	DESCRIPTION	APPROVED BY	DATE	ECN NO.
D	RELEASE	Fido Wang	22/05/09*	
E				
F				



Recommend P.C.B LAYOUT



1. MATERIAL :
 - 1-1. HOUSING : LCP ; COLOR : BLACK
 - 1-2. CONTACT : PHOSPHOR BRONZE.
 - 1-3. SHELL : STAINLESS.
2. FINISH :
 - 2-1. CONTACT : 10 MICRO INCHES MIN. GOLD PLATING
 - 2-2. SHELL : NICKEL PLATED.

DRAWN	APP'D	UNIT	MM	TOLERANCE		TITLE	PCMCIA 15P 连接器 (STAR TAC)			SHEET
CHK'D		SCALE	1:1	.X ±0.20 .XX ±0.10 .XXX ±0.05 .XXXX ±0.03 ANGULA ±1°		PART NO.	PC-15F4-07	DWG NO.	QC0884	VERSION
					www.allconnectors.com TEL: 0049 711 7009503 70794 Rilderstadt - Germany	info@allconnectors.com Fax: 0049 711 7009504 kettenstr. 25				D