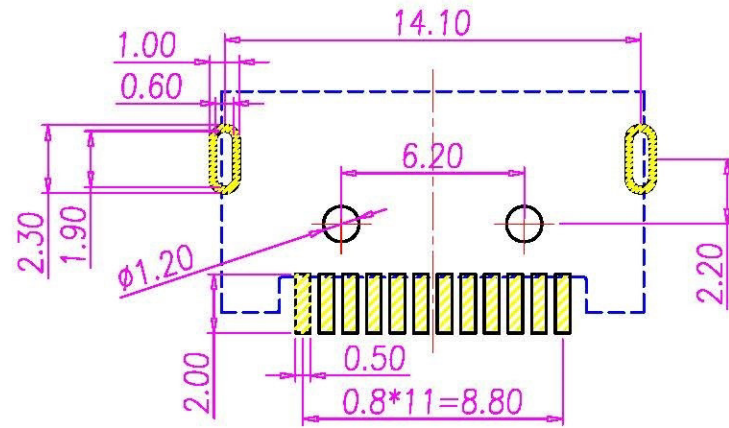
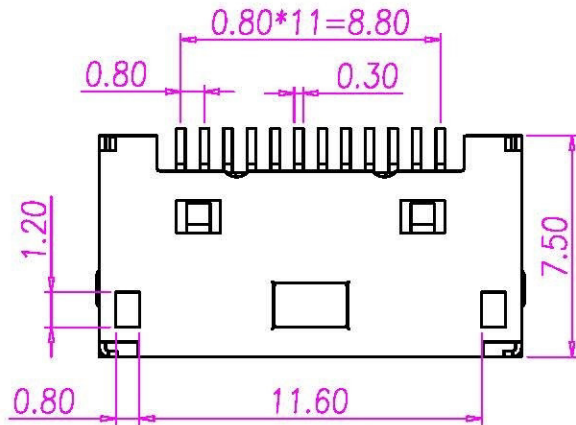


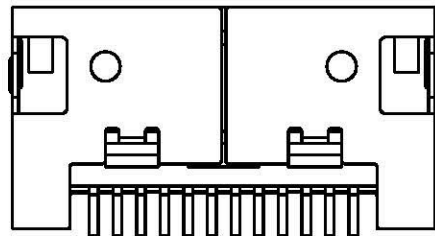
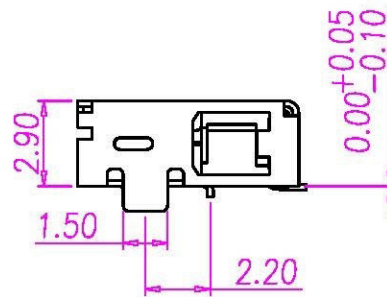
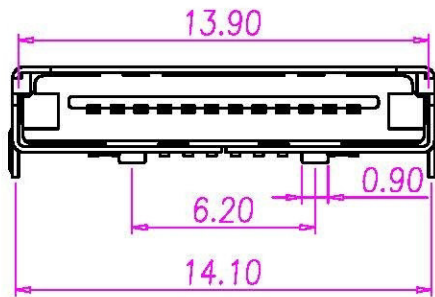
This document is the property of Nan-Yeong Corporation and is delivered on the express condition that it is not to be disclosed, reproduced or used, in whole or in part, for manufacture or sale by anyone other than Nan-Yeong Corporation without its prior consent, and that no right is granted to disclose or to use any information in this document.

# CUSTOMER DRAWING

REV.	DESCRIPTION	APPVL. BY	DATE	ECN NO.
A	RELEASE	Fido Veng	22/12/08	
B				
C				



Recommend P.C.B Layout



- MATERIAL :
  - HOUSING : NYLON ; COLOR : BLACK
  - CONTACT : COPPER ALLOY
  - SHELL : STAINLESS STEEL
- FINISH :
  - CONTACT :
    - CONTACT AREA : 10 MICRO INCHES MIN. GOLD PLATED
    - SOLDER AREA : BRIGH TIN 60u"
    - UNDER PLATE : NICKEL

DRAW	APPVL	UNIT	FW	TOLERANCE		TITLE	PCMCIA 12PIN (F) STAR TAC			SHEET	
CHECK		SCALE	1:1	.X ±0.20 .XX ±0.10 .XXX ±0.05 .XXXX ±0.03 ANGULA ±1°		www.allconnectors.de TEL: 0049 711 7009903 20794 Filderstadt Germany	info@allconnectors.de FAX: 0049 711 7005504 kettenstr. 23	PART NO.	PC-12F4-01	DWG NO.	QC0836

VERSION  
A