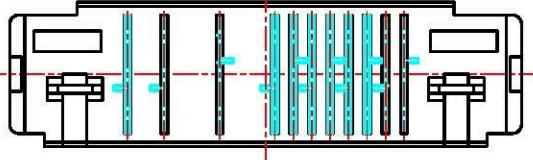
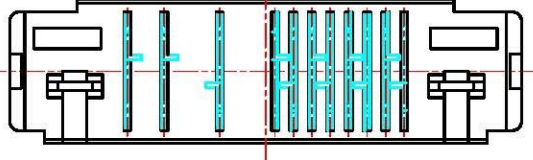


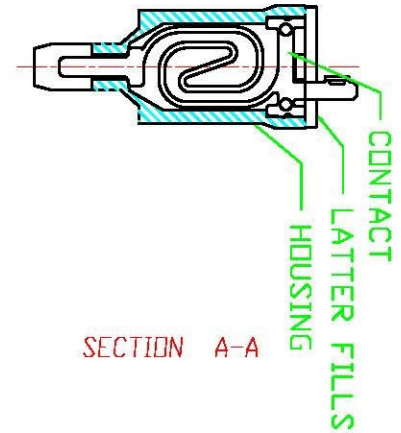
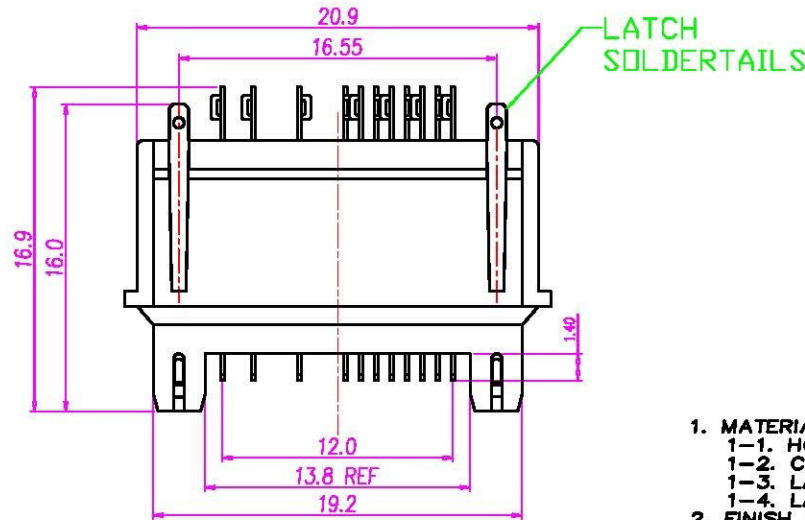
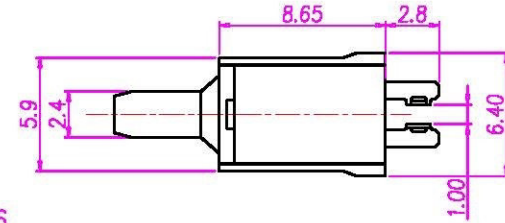
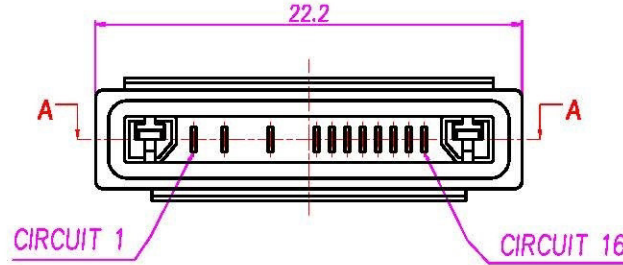
This document is the property of Nian-Yeong Corporation and is delivered on the express condition that it is not to be disclosed, reproduced or used, in whole or in part, for manufacture or sale by anyone other than Nian-Yeong Corporation without its prior consent, and that no right is granted to disclose or to use any information in this document.

CUSTOMER DRAWING

REV.	DESCRIPTION	APPROVED BY	DATE	ECN NO.
A	RELEASE	Fido Veng	13/07/09*	
B				
C				

TABLE A


PC-11M2-01

PC-11M2-02



- MATERIAL :
 - HOUSING : NYLON 46 UL94V-0 ; COLOR : BLACK
 - CONTACT : BERYLLIUM COPPER
 - LATCHER FILLS : PBT UL94-V0 ; COLOR : BLACK.
 - LATCH SOLDERTAILS : STAINLESS STEEL.
- FINISH :
 - CONTACT : CONTACT AREA : 5 MICRO INCHES MIN. GOLD PLATED
SOLDER AREA : BRIGHT TIN
UNDER PLATE : NICKEL
 - LATCH SOLDERTAILS : BRIGHT TIN
UNDER PLATE : NICKEL
- ELECTRICAL SPECIFICATION :
 - Rated current : 1.5A
 - Rated Voltage : 30V
- Environmental :
 - Operation Temperature : -40°~80°

DRAWN	KU	APP'D	UNIT	PR	TOLERANCE	All connectors		TITLE	HANDY LINK 11PIN(M) 0.8PITCH	SHEET				
CHK'D			SCALE	1:1	X ±0.20 XX ±0.15 XXX ±0.05 XXXX ±0.01 ANGULA ±1°		www.allconnectors.de TEL: 0049 711 2009309 70734ilderstadt - Germany	info@allconnectors.de FAX: 0049 711 2009304 Kettenstr. 25	PART NO.	SEE TABLE A	DWG NO.	QC4307	VERSION	A