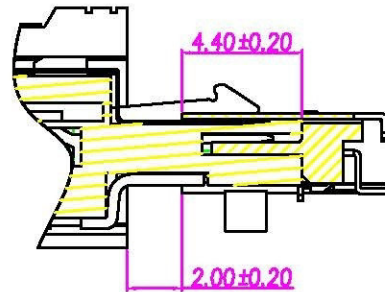
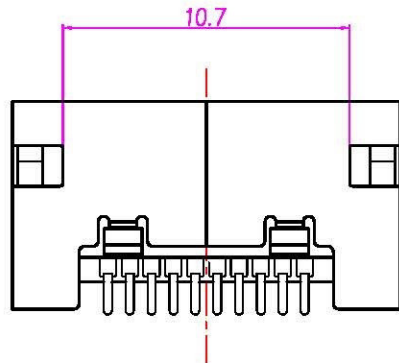
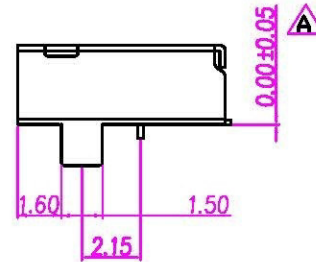
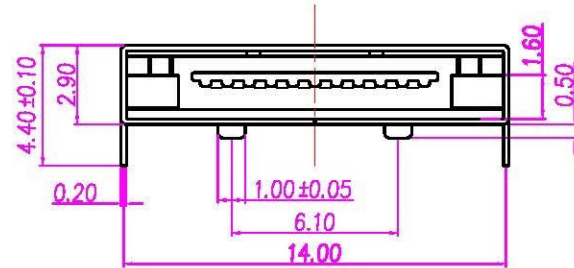
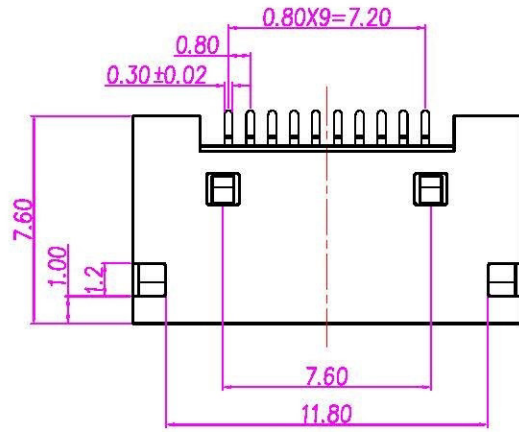


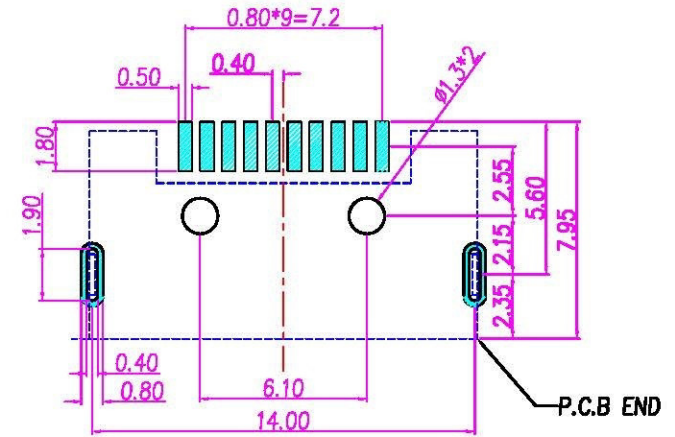
This document is the property of Nan-Yeong Corporation and is delivered on the express condition that it is not to be disclosed, reproduced or used, in whole or in part, for manufacture or sale by anyone other than Nan-Yeong Corporation without its prior consent, and that no right is granted to disclose or to use any information in this document.

CUSTOMER DRAWING

REV.	DESCRIPTION	APPVL. BY	DATE	ECN NO.
A	RELEASE & DIM change	Fido Veng	18/03/09'	R-09015
B	Change Contact Plated	Fido Veng	31/03/09'	ECN09041
C				



ASSEMBLY



Recommend P.C.B Layout Tolerance±0.05

TABLE A

PC-10F4-09	GOLD FLASH
PC-10F4-02	GOLD 10u" MIN.
P/N	CONTACT AREA FINISH

- MATERIAL :
 - HOUSING : LCP UL94V-0 ; COLOR : BLACK
 - CONTACT : PHOSPHOR BRONZE
 - SHELL : STAINLESS
- FINISH :
 - CONTACT :
 - CONTACT AREA : **B**
 - SOLDER AREA : BRIGHT TIN
 - UNDER PLATE : NICKEL
 - SHELL : NICKEL PLATED
- ELECTRICAL SPECIFICATION :
 - RATED CURRENT : 0.5A
 - RATED VOLTAGE : AC 30Vr.m.s
- ENVIRONMENTAL :
 - OPERATION TEMPERATURE : -25~75°

DRAW	Emly Suen	APPVL		UNIT	mm	TOLERANCE			TITLE	PCMCIA 10(F)??SMT			SHEET		
CHECK				SCALE	1:1	x ±0.20 xx ±0.10 xxx ±0.05 xxxx ±0.03 ANGULA ±1°			PART NO.	SEE TABLE A	DWG NO.	QC1082	VERSION		
									www.allconnectors.de Tel: 0049 711 700280 70794 Pfladerstadt - Germany			info@allconnectors.de Fax: 0049 711 7002804 Kellernersstr. 25			