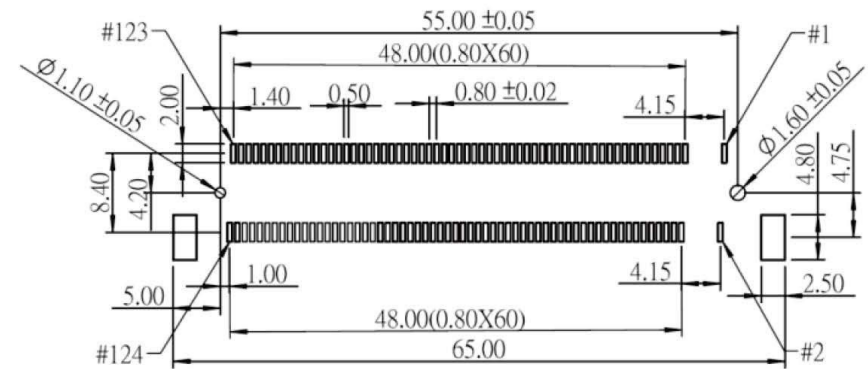


A-A (2.5 : 1)

NOTE:

- SOLDERTAIL TO BE WITHIN 0.05 UPWARD AND 0.2 DOWNWARD FROM Z-DATUM PLACE, AND COPLANALITY OF SOLDERTAILS TO BE WITHIN 0.12. MEASUREMENT POINT IS SOLDERTAILS TIP.
- INSPECTION SYMBOL:
 ● : MANUFACTURER INSPECTION
 ◆ : Q.C INSPECTION



PCB LAYOUT

All Connectors

www.allconnectors.de info@allconnectors.de
 Tel.: 0049 711 7009503 Fax: 0049 711 7009504
 70794 Filderstadt - Germany Kettenerstr. 25

RoHS Compliant

DRAWING BY CY
 CHECKED BY GENIUS
 UNIT / mm SCALE 1 : 1
 DATE
 SIZE A4

TOLERANCES ARE

X ±
 .X ±
 .XX ±
 .XXX ±
 ANG ±

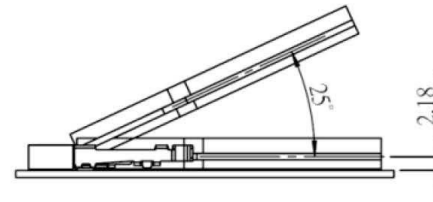
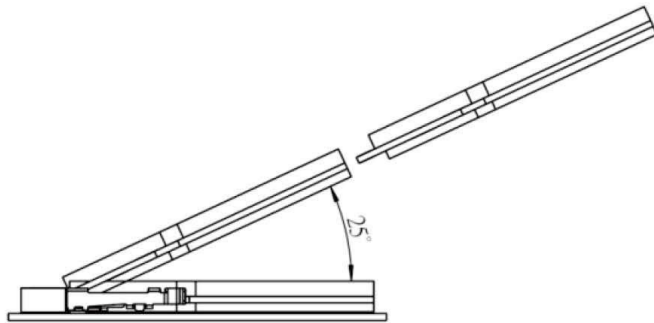
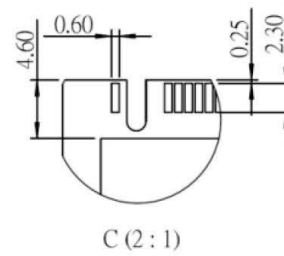
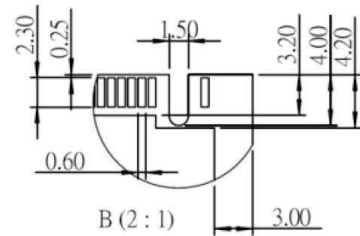
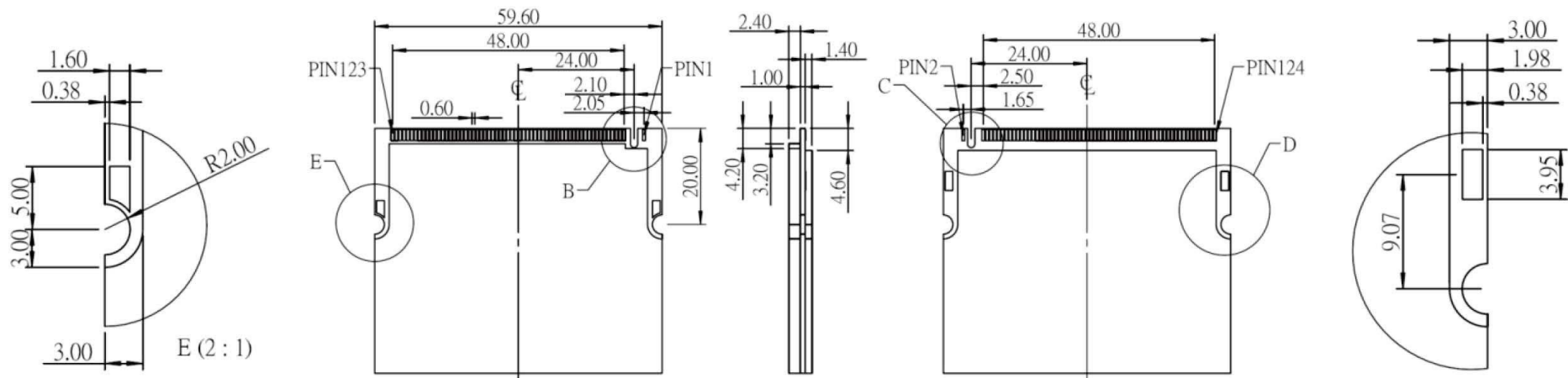
PJECTION



ORDER INFORMATION

MPCI-WxxR-124-LF
 SERIES 90°SMT REEL 124WAY LEADFREE
 40:4.0mm
 52:5.2mm
 56:5.6mm 80:8.0mm
 60:6.0mm 92:9.2mm
 68:6.8mm 99:9.9mm

DESCRIPTION:



All Connectors

www.allconnectors.de
Tel.: 0049 711 7009503
70794 Filderstadt - Germany

info@allconnectors.de
Fax: 0049 711 7009504
Kettnerstr. 25

RoHS Compliant

DRAWING BY CY
CHECKED BY GENIUS
UNIT / mm SCALE 1 : 1
DATE
SIZE A4

TOLERANCES ARE

X ±
.X ±
.XX ±
.XXX ±
ANG ±

PJECTION



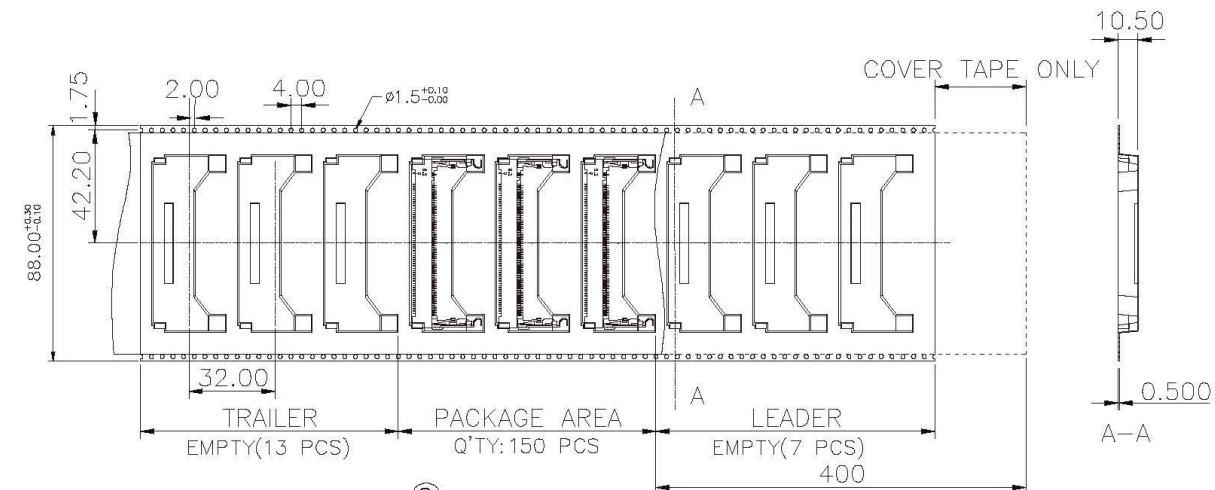
ORDER INFORMATION

MPCI-WxxR-124-LF

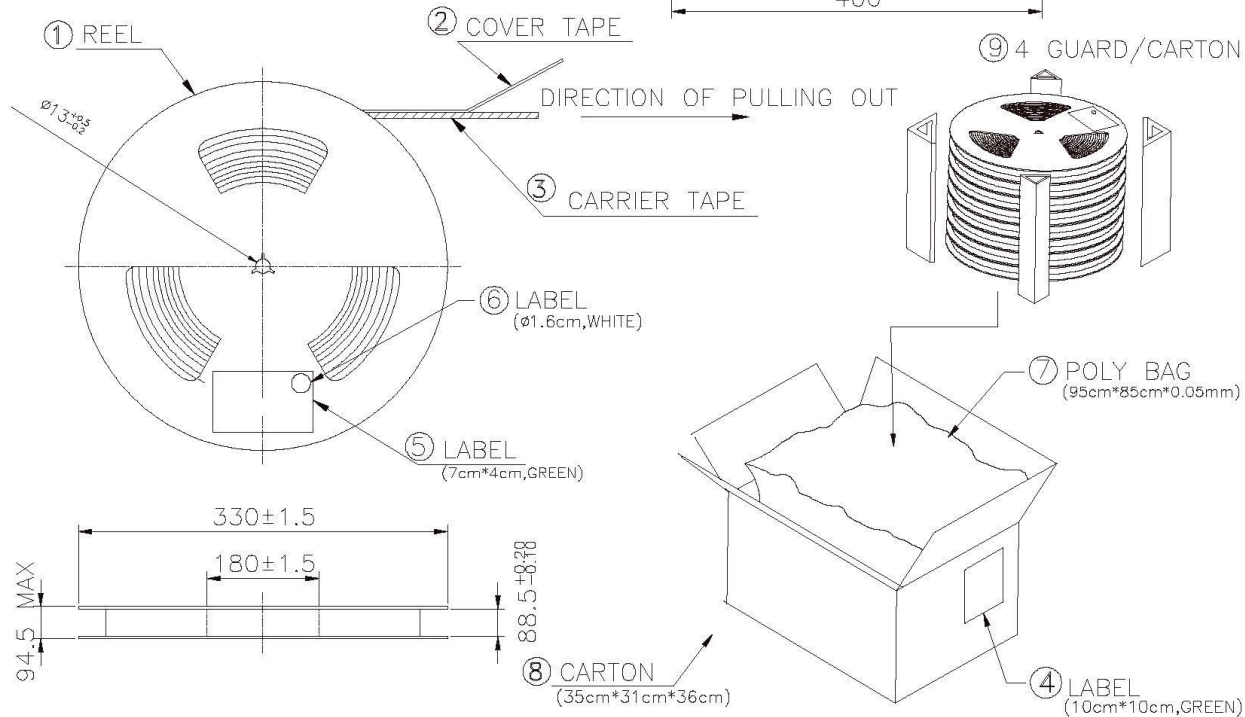
SERIES 90°SMT REEL 124WAY LEADFREE

40:4.0mm
52:5.2mm
56:5.6mm 80:8.0mm
60:6.0mm 92:9.2mm
68:6.8mm 99:9.9mm

DESCRIPTION:



MATERIAL	P/N	REMARKS
1 REEL	REEL-RA388	H=94.5max
2 COVER	REEL-UC825/A	W=82.5mm
3 CARRIER TAPE	REEL-OLAB8801	W=88mm
4 LABEL(for RoHS)	CTP-00004	1 LABEL/CARTON
5 LABEL(for RoHS)	CTB-00004	1 LABEL/REEL
6 LABEL(for RoHS)	CTB-00005	1 LABEL/REEL
7 POLY BAG	95cmX85cmX0.05m/m	1 BAG/CARTON
8 CARTON	CTN-C100Y	CARTON/3 REEL/450pcs
9 GUARD	CTN-N3025	4 GUARD/CARTON



All Connectors

www.allconnectors.de
Tel.: 0049 711 7009503
70794 Filderstadt - Germany

info@allconnectors.de
Fax: 0049 711 7009504
Kettenerstr. 25

RoHS Compliant

DRAWING BY CY
CHECKED BY GENIUS
UNIT/mm SCALE 1:1
DATE
SIZE A4

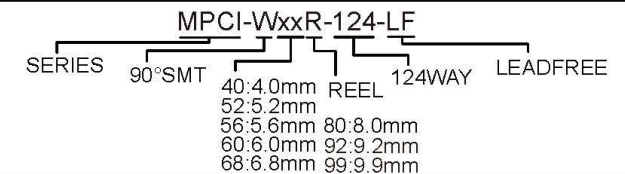
TOLERANCES ARE

X ± 0.30
X ± 0.20
.XX ± 0.10
.XXX ± 0.05
ANG ±

PJECTION



ORDER INFORMATION



DESCRIPTION: PACKING INFORMATION