

- NOTE:
- SOLDERTAIL TO BE WITHIN 0.05 UPWARD AND 0.2 DOWNWARD FROM Z-DATUM PLACE, AND COPLANARITY OF SOLDERTAILS TO BE WITHIN 0.10
MEASUREMENT POINT IS SOLDERTAILS TIP.
 - MATERIAL:
HOUSING :HIGH-TEMPERATURE PLASTIC,
COLOR:BLACK,UL 94 V-0
TERMINAL :COPPER ALLOY
 - FINISH:
TERMINAL:
NICKEL UNDERPLATING ALL OVER BASE MATERIAL
CONTACT AREA : GOLD FLASH PLATING OVER UNDERPLATE
SOLDER AREA : GOLD FLASH PLATING OVER UNDERPLATE
 - INSPECTION SYMBOL:
● : MANUFACTURER INSPECTION
◆ : Q,C INSPECTION

P/N	H
MPCI-W40R-052	4.00
MPCI-W52R-052	5.20
MPCI-W56R-052	5.60
MPCI-W68R-052	6.80
MPCI-W80R-052	8.00
MPCI-W92R-052	9.20

All Connectors

www.allconnectors.de
Tel.: 0049 711 7009508
70794 Filderstadt - Germany

info@allconnectors.de
Fax: 0049 711 7009504
Kettnerstr. 25

RoHS Compliant

DRAWING BY CY
CHECKED BY GENIUS
UNIT / mm SCALE 1:1
DATE
SIZE A4

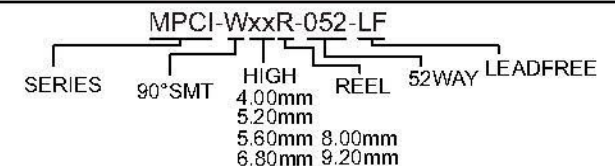
TOLERANCES ARE

X ± 0.30
X ± 0.20
XX ± 0.10
XXX ± 0.05
ANG ±

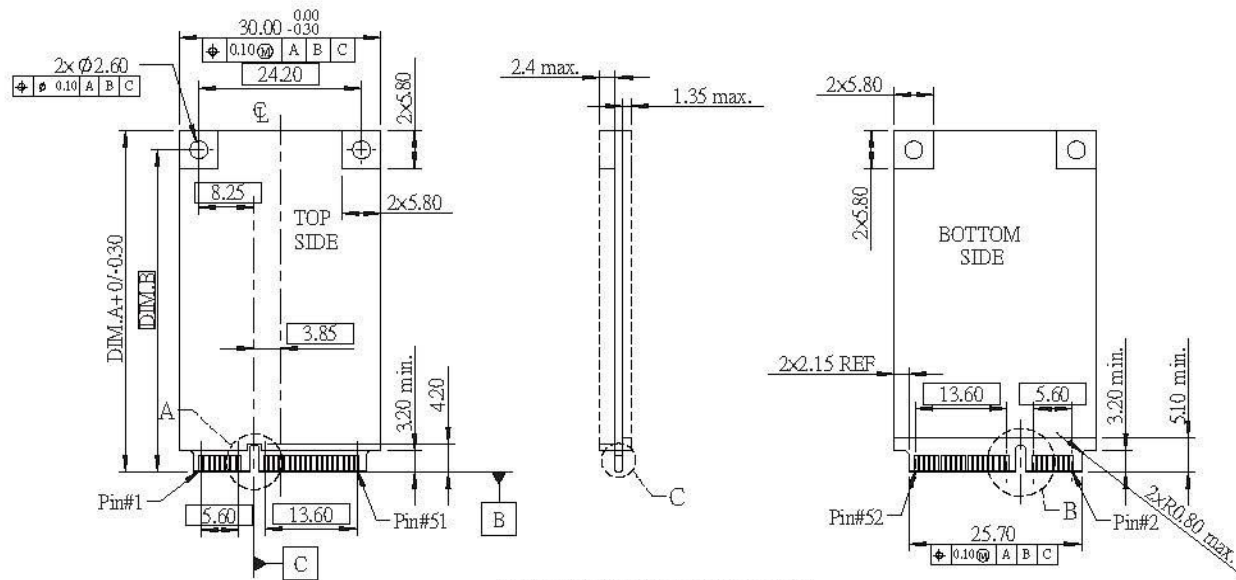
PROJECTION



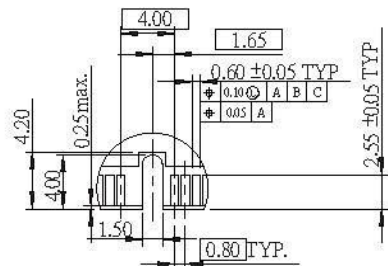
ORDER INFORMATION



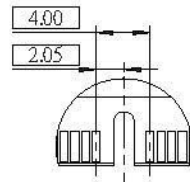
DESCRIPTION: MINI PCI EXPRESS ASSEMBLY



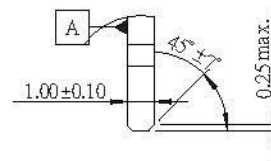
APPLICABLE MODULE DIMENSION



A (2 : 1)



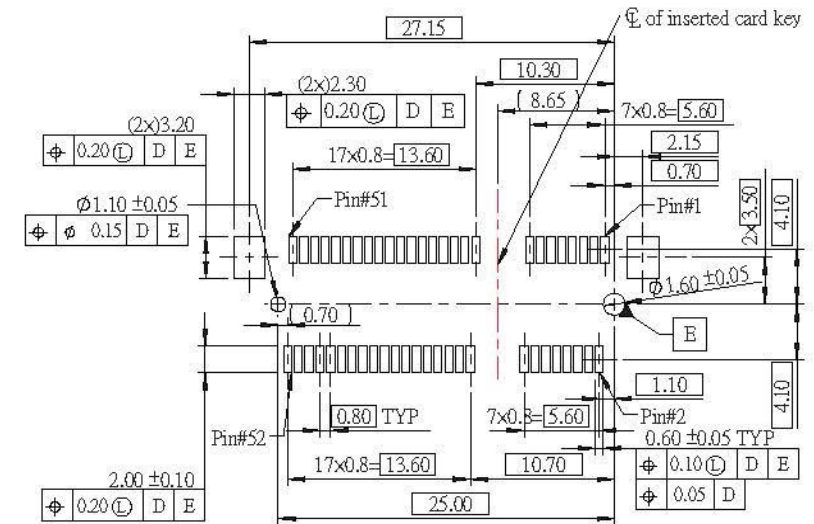
B (2 : 1)



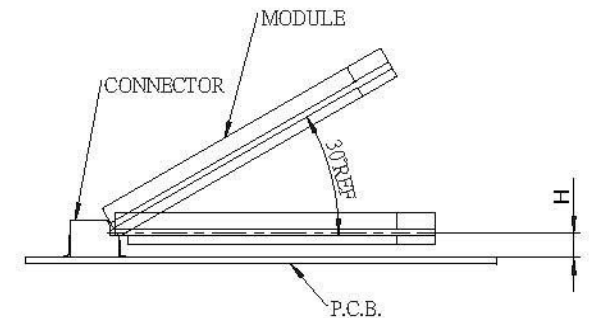
C (4 : 1)

	DIM.A+0/-0.30	DIM.B
HALF CARD	26.80	23.90
FULL CARD	50.95	48.05

P/N	H
MPCI-W40R-052	2.11
MPCI-W52R-052	3.31
MPCI-W56R-052	3.71
MPCI-W68R-052	4.91
MPCI-W80R-052	6.11
MPCI-W92R-052	7.31



Datum D is the top surface of PCB.
RECOMMENDED P.C.B. LAYOUT
TOP VIEW(2:1)



MATING CONDITION

All Connectors

www.allconnectors.de
Tel.: 0049 711 7006909
70734 Nilderstadt - Germany

info@allconnectors.de
Fax: 0049 711 7006904
Kettnerstr. 25

RoHS Compliant

DRAWING BY CY
CHECKED BY GENIUS
UNIT/mm SCALE 1:1
DATE
SIZE A4

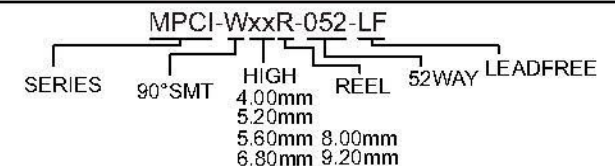
TOLERANCES ARE

X ± 0.30
X ± 0.20
XX ± 0.10
XXX ± 0.05
ANG ±

PROJECTION

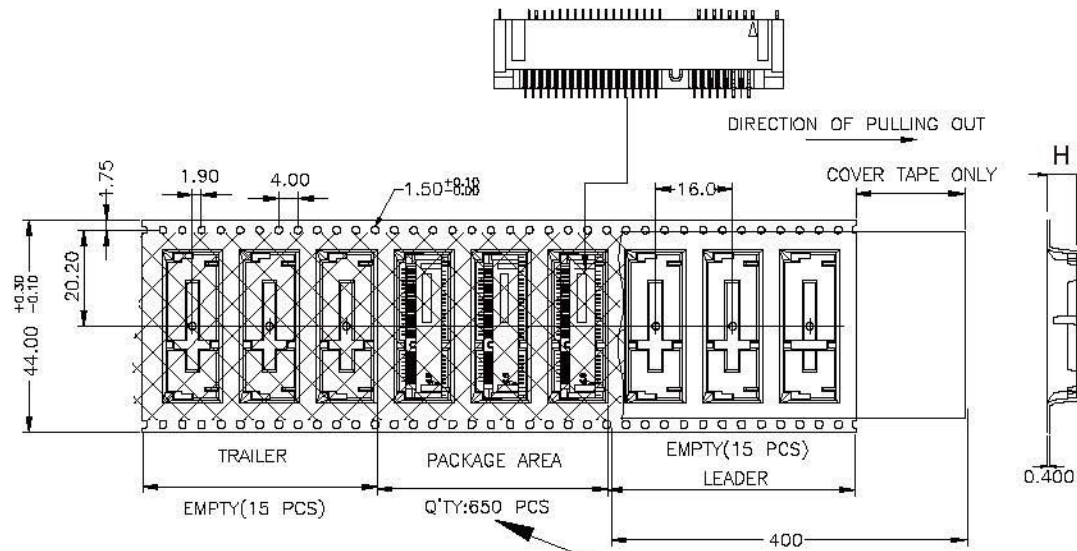


ORDER INFORMATION

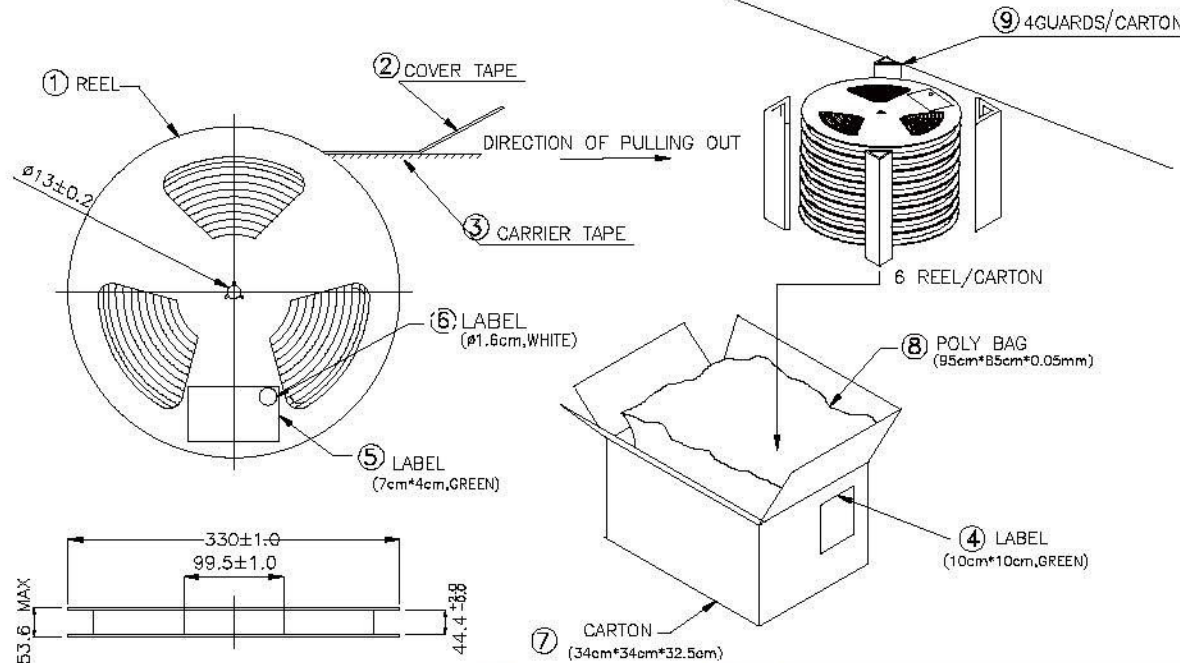


DESCRIPTION: MINI PCI EXPRESS ASSEMBLY

MATERIAL	P/N	REMARKS
1	REEL	REEL-RA344 H=53.6mm X
2	COVER	REEL-UC375 W= 37.5mm
3	CARRIER TAPE	REEL-071LAB4401 W= 44mm
4	LABEL (for REEL)	CTP-00002 1 LABEL/CARTON
5	LABEL (for REEL)	CTB-00004 1 LABEL/REEL
6	LABEL (for REEL)	CTB-00005 1 LABEL/REEL
7	CARTON	CTN-C100Y CARTON/6 REEL/ XXX PCS
8	POLY BAG	P-0001 1 BAG/CARTON
9	GUARD	CTN-N3025 4 GUARDS/CARTON



P/N	H
MPCI-W40R-052	6.10
MPCI-W52R-052	6.30
MPCI-W56R-052	6.80
MPCI-W68R-052	7.20
MPCI-W80R-052	9.20
MPCI-W92R-052	10.40



- 4.0mm=650pcs X 6REEL =3900PCS
- 5.2mm=600pcs X 6REEL =3600PCS
- 5.6mm=600pcs X 6REEL =3600PCS
- 6.8mm=450pcs X 6REEL =2700PCS
- 8.0mm=400pcs X 6REEL =2400PCS
- 9.2mm=300pcs X 6REEL =1800PCS

Allconnectors

www.allconnectors.de info@allconnectors.de
 Tel: 0049 411 402005 Fax: 0049 411 402001
 70794 Filderstadt, Germany Kollernstr. 25

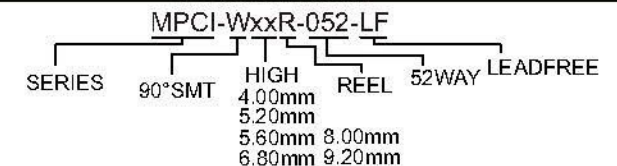
RoHS Compliant

TOLERANCES ARE

DRAWING BY CY		X ± 0.30
CHECKED BY GENIUS		X ± 0.20
UNIT / mm	SCALE 1:1	XX ± 0.10
DATE		XXX ± 0.05
SIZE A4	P PROJECTION	ANG ±



ORDER INFORMATION



DESCRIPTION: PACKING INFORMATION