

- NOTE:
- SOLDERTAIL TO BE WITHIN 0.05 UPWARD AND 0.2 DOWNWARD FROM Z-DATUM PLACE, AND COPLANARITY OF SOLDERTAILS TO BE WITHIN 0.10
MEASUREMENT POINT IS SOLDERTAILS TIP.
 - MATERIAL:
HOUSING :HIGH-TEMPERATURE PLASTIC,
COLOR:BLACK,UL 94 V-0
TERMINAL :COPPER ALLOY
 - FINISH:
TERMINAL:
NICKEL UNDERPLATING ALL OVER BASE MATERIAL
CONTACT AREA : GOLD FLASH PLATING OVER UNDERPLATE
SOLDER AREA : GOLD FLASH PLATING OVER UNDERPLATE
 - INSPECTION SYMBOL:
 \bullet : MANUFACTURER INSPECTION
 \blacklozenge : Q,C INSPECTION

P/N	H
MPCI-W40-052	4.00
MPCI-W52-052	5.20
MPCI-W56-052	5.80
MPCI-W68-052	6.80
MPCI-W80-052	8.00
MPCI-W92-052	9.20

All Connectors

www.allconnectors.de
 info@allconnectors.de
 Tel: 0348 711 400602
 Fax: 0348 711 709504
 70704 Tübingen - Germany
 Kellenenstr. 23

RoHS Compliant

DRAWING BY CY
 CHECKED BY GENIUS
 UNIT/mm SCALE 1:1
 DATE
 SIZE A4

TOLERANCES ARE

X ± 0.30
 X ± 0.20
 XX ± 0.10
 XXX ± 0.05
 ANG \pm

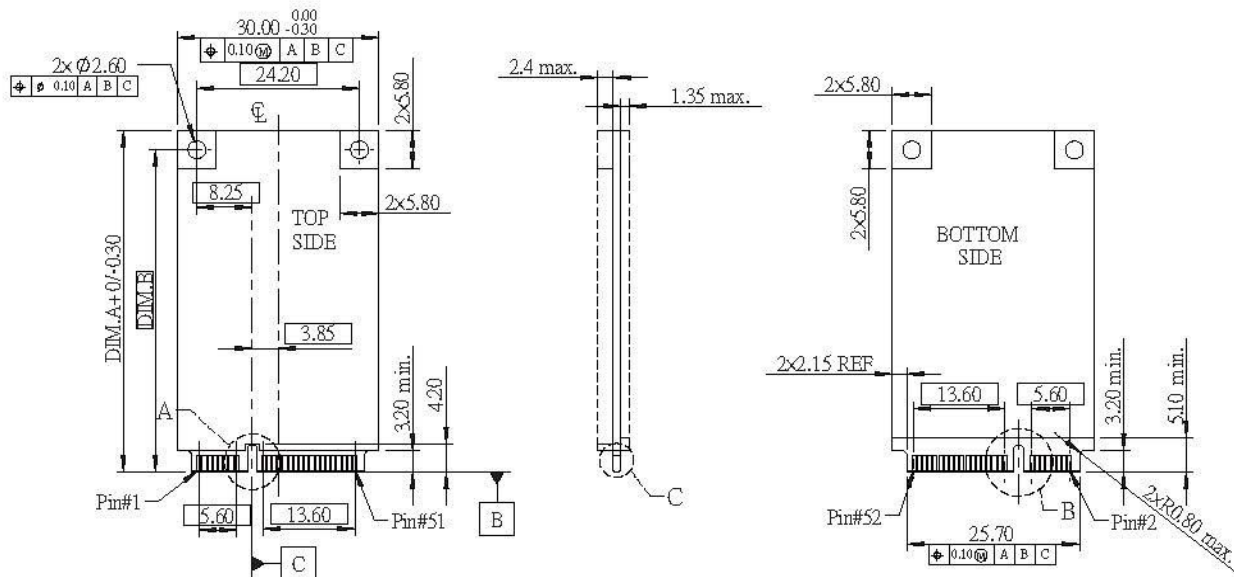
PJECTION



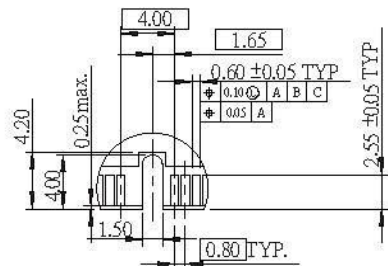
ORDER INFORMATION



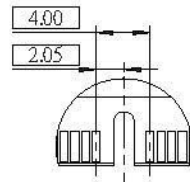
DESCRIPTION: MINI PCI EXPRESS ASSEMBLY



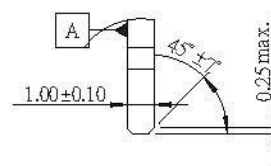
APPLICABLE MODULE DIMENSION



A (2 : 1)



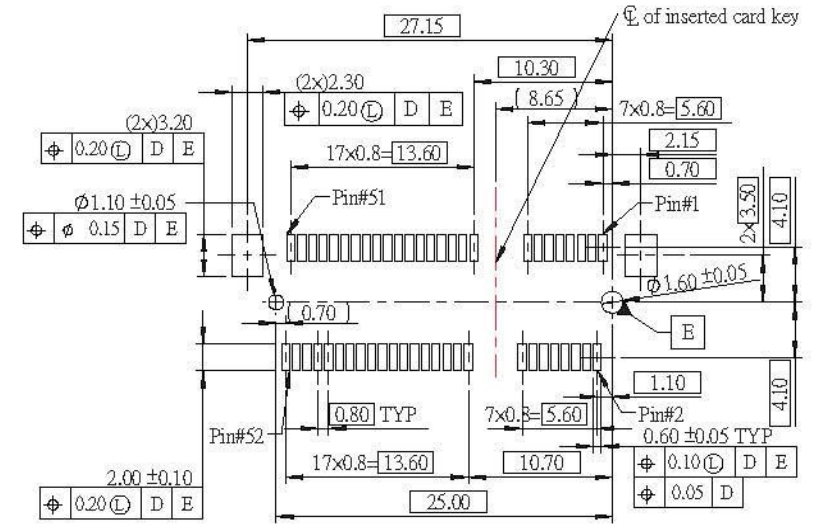
B (2 : 1)



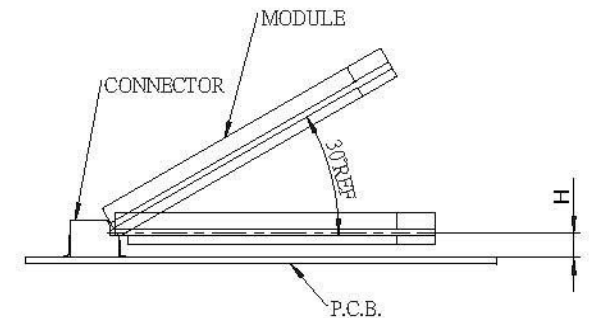
C (4 : 1)

	DIM.A+0/-0.30	DIM.B
HALF CARD	26.80	23.90
FULL CARD	50.95	48.05

P/N	H
MPCl-W40R-052	2.11
MPCl-W52R-052	3.31
MPCl-W56R-052	3.71
MPCl-W68R-052	4.91
MPCl-W80R-052	6.11
MPCl-W92R-052	7.31



Datum D is the top surface of PCB.
RECOMMENDED P.C.B. LAYOUT
TOP VIEW(2:1)



MATING CONDITION

All Connectors

www.allconnectors.de
Tel.: 0049 711 4005003
70794 Tübingen, Germany

info@allconnectors.de
Fax: 0049 711 4005004
Kellernstr. 25

RoHS Compliant

DRAWING BY CY
CHECKED BY GENIUS
UNIT/mm SCALE 1:1
DATE
SIZE A4

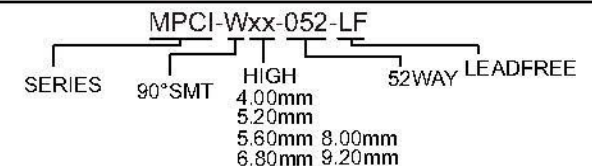
TOLERANCES ARE

X ± 0.30
X ± 0.20
XX ± 0.10
XXX ± 0.05
ANG ±

PROJECTION



ORDER INFORMATION



DESCRIPTION: MINI PCI EXPRESS ASSEMBLY