

NOTE:

- SOLDERTAIL TO BE WITHIN 0.05 UPWARD AND 0.2 DOWNWARD FROM Z-DATUM PLACE, AND COPLANALITY OF SOLDERTAILS TO BE WITHIN 0.12. MEASUREMENT POINT IS SOLDERTAILS TIP.

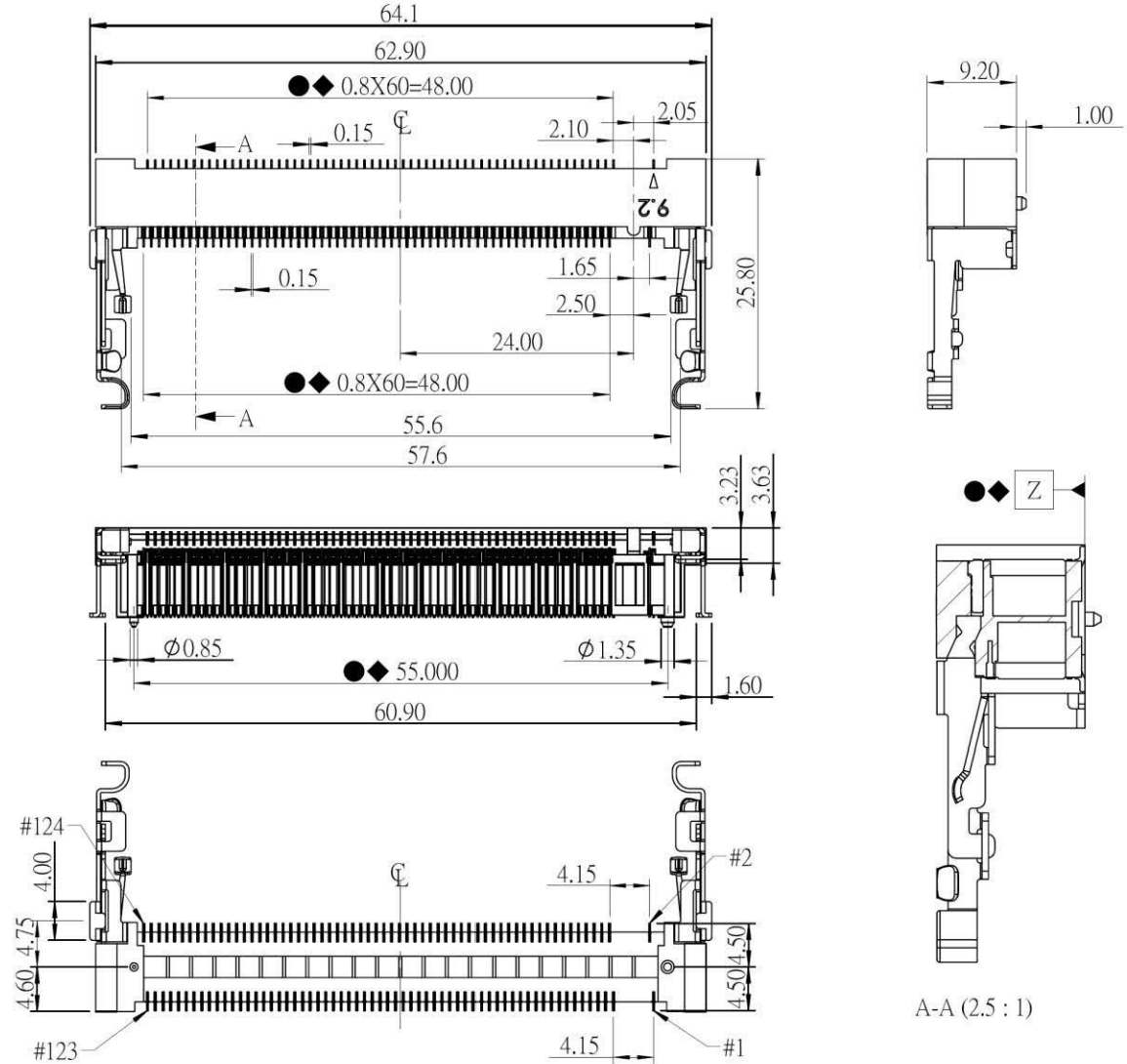
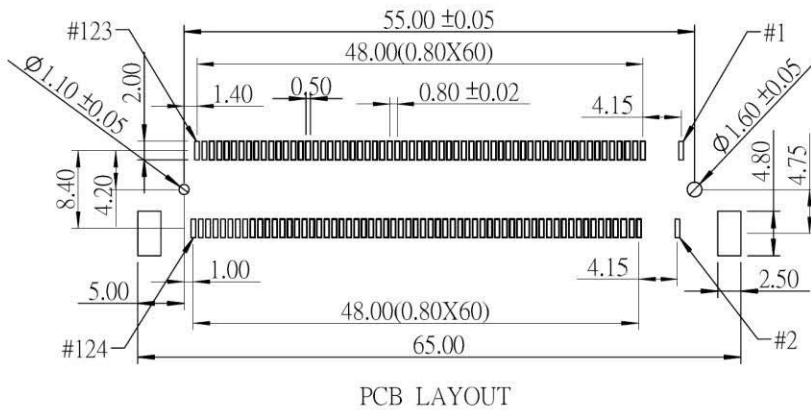
2. INSPECTION SYMBOL:

- : MANUFACTURER INSPECTION
- ◆ : Q.C INSPECTION

MPCI-W92-124-LF

LEADFREE

RoHS Compliant



**Allconnectors**

www.allconnectors.de  
Tel.: 0049 711 7002503  
All-Connectors Germany

info@allconnectors.de  
Fax: 0049 711 7002544  
Kontaktieren Sie uns

PART NO. MPC1-W92-124

DWG NO. MPC1-W92-124

FILE NO.

UNIT / mm

SCALE 1:1

CHECKED BY CY

DRAWING BY

PROJECTION



TOLERANCES ARE

.X ± 0.2  
.XX ±  
.XXX ±  
AWG

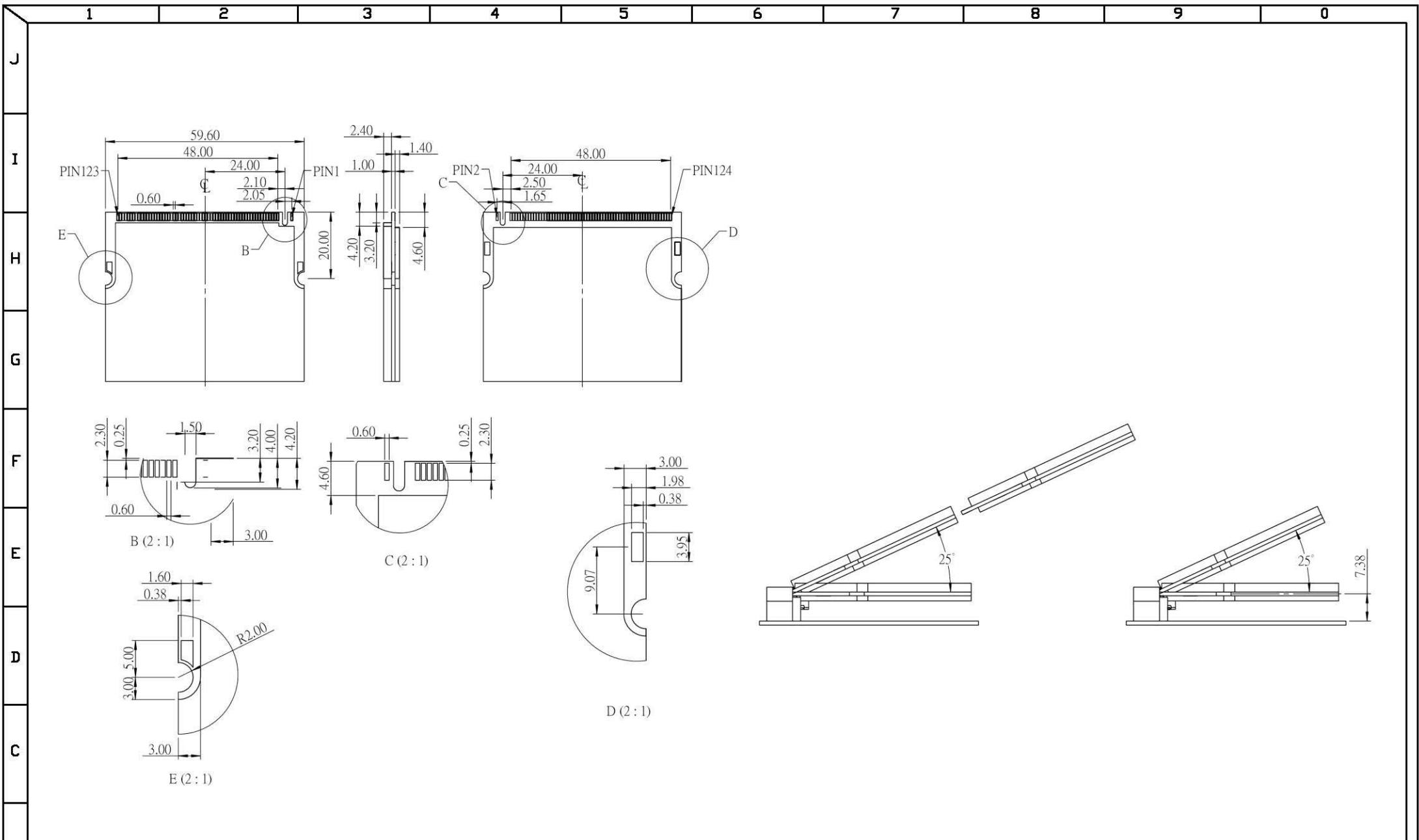
DESCRIPTION:

AREA

REVISIONS

HK

DATE



A			<b>PART NO. MPC1-W92-124</b>		<b>TOLERANCES ARE</b> .X ± 0.2 .XX ± .XXX ± AWG	<b>DESCRIPTION:</b>					
	www.allconnectors.de Tel.: 0049 711 7096503 20/91 Hildenstadt - Germany		info@allconnectors.de Fax: 0049 711 7096504 Kerberstr. 20							<b>FILE NO.</b>	
	<b>UNIT / mm</b>		<b>SCALE 1:1</b>			<b>DRAWING BY</b>		<b>PROJECTION</b>		<b>AREA</b>	<b>REVISIONS</b>