

NOTE:

1.INSPECTION SYMBOL:

- MANUFACTURER INSPECTION
- Q.C INSPECTION

2.REMARK

(1):HARDWARE

(2):PLASTIC (OPTION)

3.PLEASE REFER TO TABLE 1 FOR THE LENGTH STANDARDS.

PART NO.	DIM.A±0.10
MPCI LS40CR 052	1.60
MPCI LS52CR 052	2.80
MPCI LS56CR 052	3.20
MPCI LS60CR 052	3.60
MPCI LS68CR 052	4.40
MPCI LS80CR 052	5.60
MPCI LS90CR 052	6.60
MPCI LS92CR 052	6.80
MPCI LS99CR 052	7.50

All Connectors

www.allconnectors.de
Tel: 0049 711 7002503
10794 Hildesheim Germany

info@allconnectors.de
Fax: 0049 711 7002501
Kettelerstr. 25

RoHS Compliant

DRAWING BY CY

CHECKED BY GENIUS

UNIT/mm SCALE 1:1

DATE

SIZE A4

TOLERANCES ARE

X ± 0.30

.X ± 0.30

.XX ± 0.10

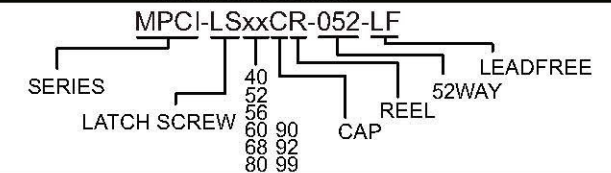
.XXX ± 0.05

ANG ± 1°

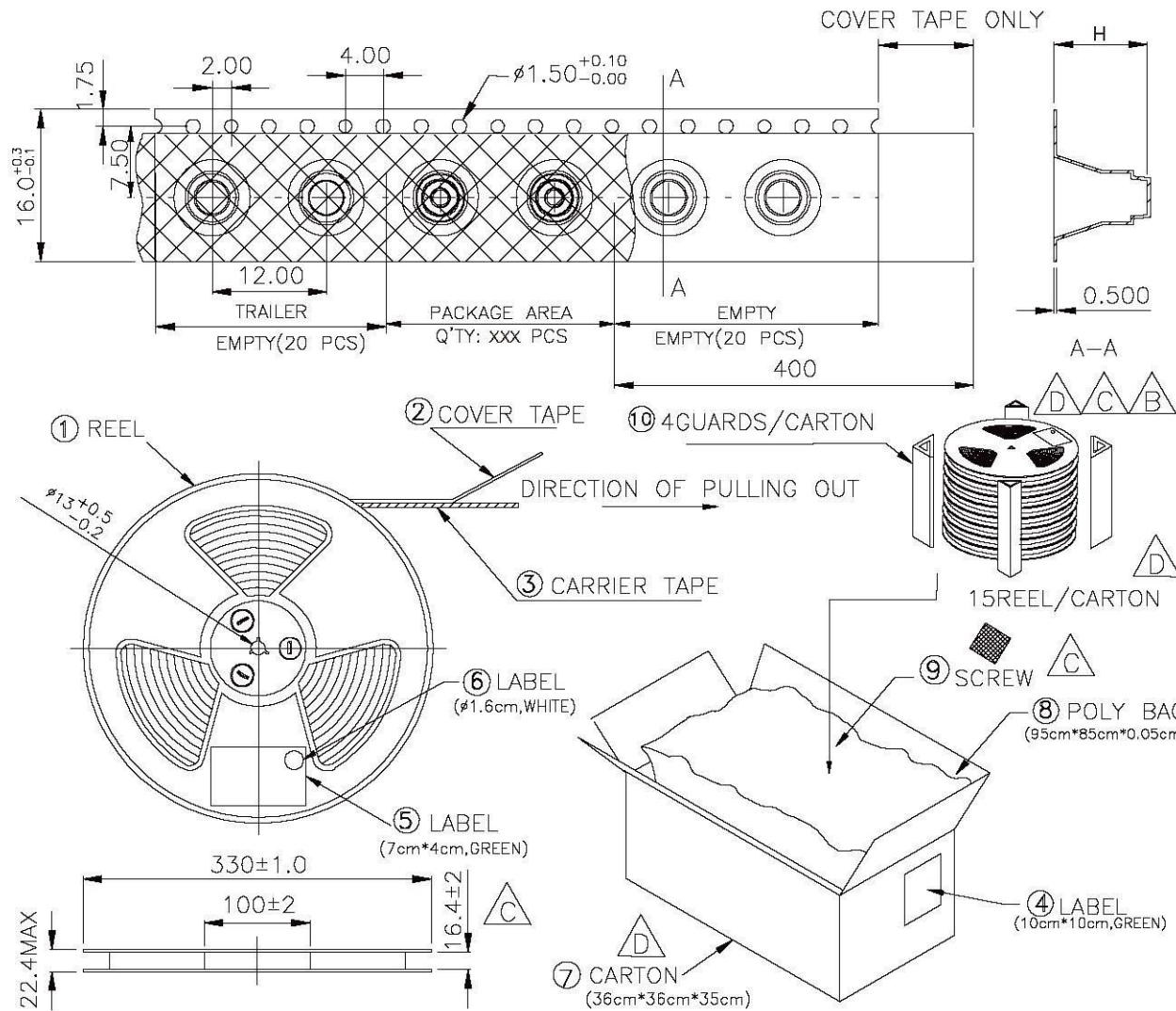
PROJECTION



ORDER INFORMATION



DESCRIPTION:



P/N	H
MPCI-LS52CR-052	5.90
MPCI-LS56CR-052	6.30
MPCI-LS68CR-052	7.40
MPCI-LS80CR-052	8.60
MPCI-LS92CR-052	9.80

	MATERIAL	P/N	REMARKS
1	REEL	REEL-RA116	H=22.4MAX
2	COVER	REEL-UC133	W=13.3mm
3	CARRIER TAPE	REEL-052	W=16mm
4	LABEL(for RoHS)	CTP-0002	1 LABEL/CARTON
5	LABEL(for RoHS)	CTB-0004	1 LABEL/REEL
6	LABEL(for RoHS)	CTB-0005	1 LABEL/REEL
7	CARTON	CTN-C100Y	CARTON/15REEL/ xxx pcs (ONE SET= TWO PIECES)
8	POLY BAG	P-0001	1 BAG/CARTON
9	SCREW	000-FA21037E	CARTON / xxx PCS (ONE SET= TWO PIECES)
10	GUARD	CTN-N3025	4 GUARDS/CARTON

5.2mm=900pcs X 15REEL =13500 PCS
 5.6mm= 800pcs X 15REEL = 12000PCS
 6.8mm=450pcs X 15REEL = 6750PCS
 8.0mm=400pcs X 15REEL = 6000PCS
 9.2mm=300pcs X 15REEL = 4500PCS

RoHS Compliant

All Connectors

www.allconnectors.de info@allconnectors.de
 Tel: 0049 711 7005503 Fax: 0049 711 7005501
 Alsterstraße 23, 40225 Düsseldorf, Germany

TOLERANCES ARE

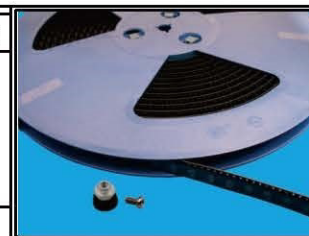
X ± 0.30
 X ± 0.20
 .XX ± 0.10
 .XXX ± 0.05
 ANG ±

DRAWING BY CY
CHECKED BY GENIUS

UNIT/mm SCALE 1:1

DATE

SIZE A4 PROJECTION



ORDER INFORMATION

MPCI-LSxxCR-052-LF

SERIES 40 52 56 60 68 80 90 92 99

LATCH SCREW REEL CAP LEADFREE 52WAY

DESCRIPTION: PACKING INFORMATION