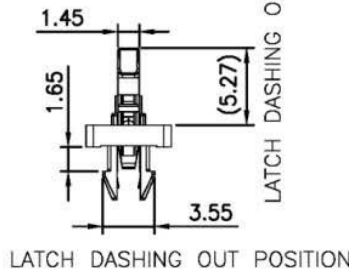
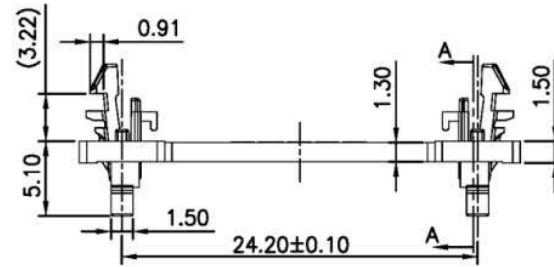
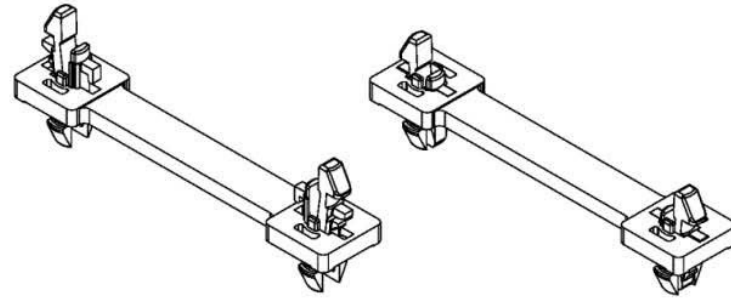
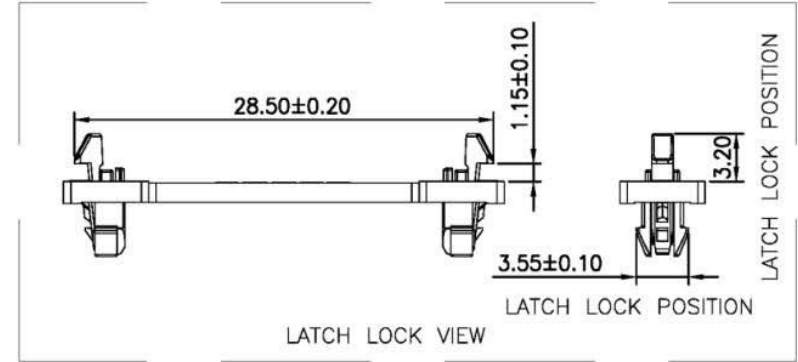


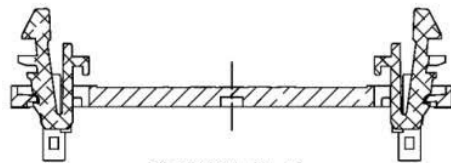
SECTION A-A



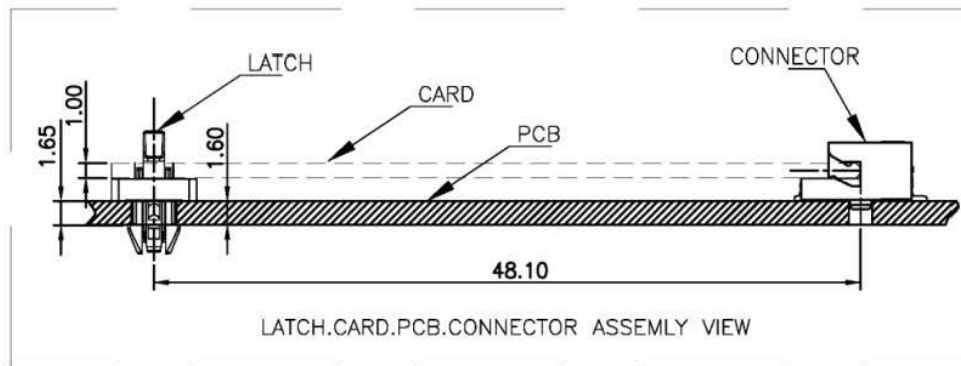
LATCH DASHING OUT POSITION



LATCH LOCK VIEW



SECTION B-B



LATCH.CARD.PCB.CONNECTOR ASSEMBLY VIEW

NOTES:

- 1.MATERIAL: PC; COLOR: BLACK
- 2.ACCORDING TO THE ENVIROMENTAL REQUIREMENT,WARRANTY THE CONTROLLED HAZARDOUS SUBSTANCE SHOULD BE MEET LOTES'S SPECIFICATION

MPCI-LP40-052-LF
LEADFREE

RoHS Compliant

All Connectors

www.allconnectors.de
Tel.: 0049 721 9002902
30294 Filderstadt Germany

Info@allconnectors.de
Fax: 0049 721 9002904
Kontaktieren Sie uns

PART NO. MPC1-LP40-052

DWG NO. MPC1-LP40-052

FILE NO.

UNIT / mm

SCALE 1:1

CHECKED BY CY

DRAWING BY

PROJECTION

TOLERANCES ARE

X ± 0.2
XX ±
XXX ±
AWG

DESCRIP TION:			
AREA	REVISIONS	HK	DATE