

1	2	3	4	5	6	7	8	9	10
SWITCH CIRCUIT			MATERIAL AND FINISH AS BELOW						
WHEN CARD IS EJECTED		WHEN CARD IS INSERTED		A	Housing	LCP UL94V-0, Black	E		
				B	Contact	Phosphor Bronze C5210, Contact Area:Gold Flash Over Nickel	F		
				C	Holddown	Brass C2680, Tin Plated	G		
				D			H		

**SPECIFICATION:**

**1. ELECTRICAL**

- 1.1 Current Rating: 0.5A per pin
- 1.2 Voltage Rating: 50V DC
- 1.3 Contact Resistance: 55mΩ Max
- 1.4 Insulation Resistance: 500MΩ Min
- 1.5 Dielectric Withstanding Voltage: 300VAC

**2. MECHANICAL**

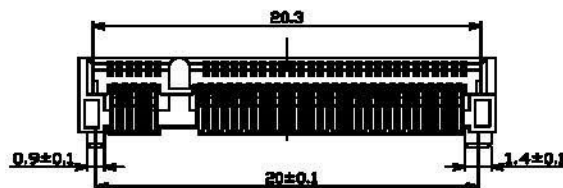
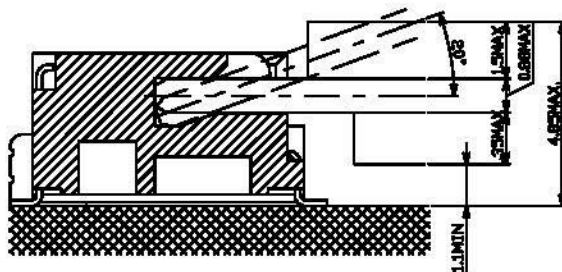
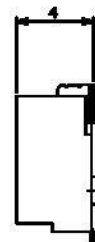
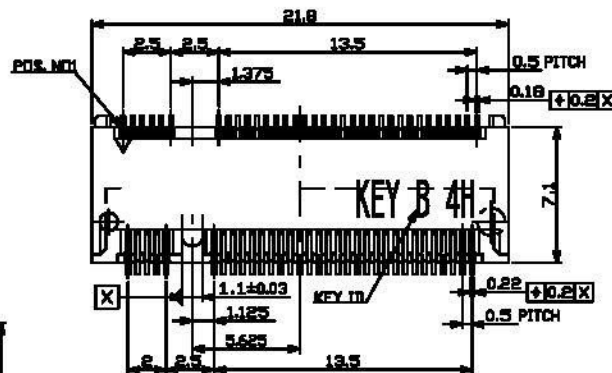
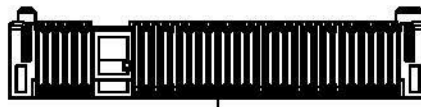
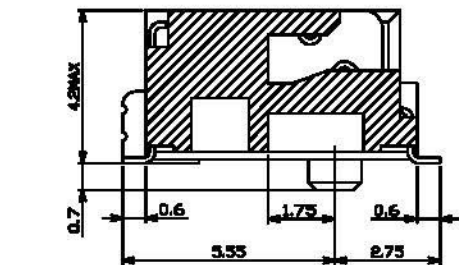
- 2.1 Durability: 200 Cycle
- 2.2 Insertion Force: 20N max.
- 2.3 Extraction Force: 25N max.

**3. ENVIRONMENTAL**

- 3.1 Operating temperature range: -40°C~+85°C
- 3.2 Storage temperature range: -40°C~+85°C

**4. SOLDER ABILITY**

- 4.1 Recommended IR Reflow Temperature: 260°C 10Sec
- 4.2 Recommended PCB Thickness: 1.0mm



P1	P2	P3	P4	P5	P6	P7	P8	P9	P10	P11	P12
PIN ASSIGNMENT											
123A-42BA0-R01 M.2 Connector, Key B Type Pitch:0.50mm H:4.2mm, Contact Area:Gold Flash											
PRODUCT NO.						DESCRIPTION					

UNLESS OTHERWISE SPECIFIED TOLERANCE		
ANGLES	ANG.	+5P
	0.	±0.3
LINEAR	0.0	±0.25
	0.00	±0.20
SCALE	AS SHOWN	UNIT: mm
DRAWN	Willis	2013/12/09
CHECKED	Angel	2013/12/09
APPROVED	Ken	2013/12/09

**All Connectors**

www.allconnectors.com  
TEL: 00852 21202600  
17024111 (Sales Dept) 17024113

info@allconnectors.com  
R: 00852 21202604  
K: 00852 21202605

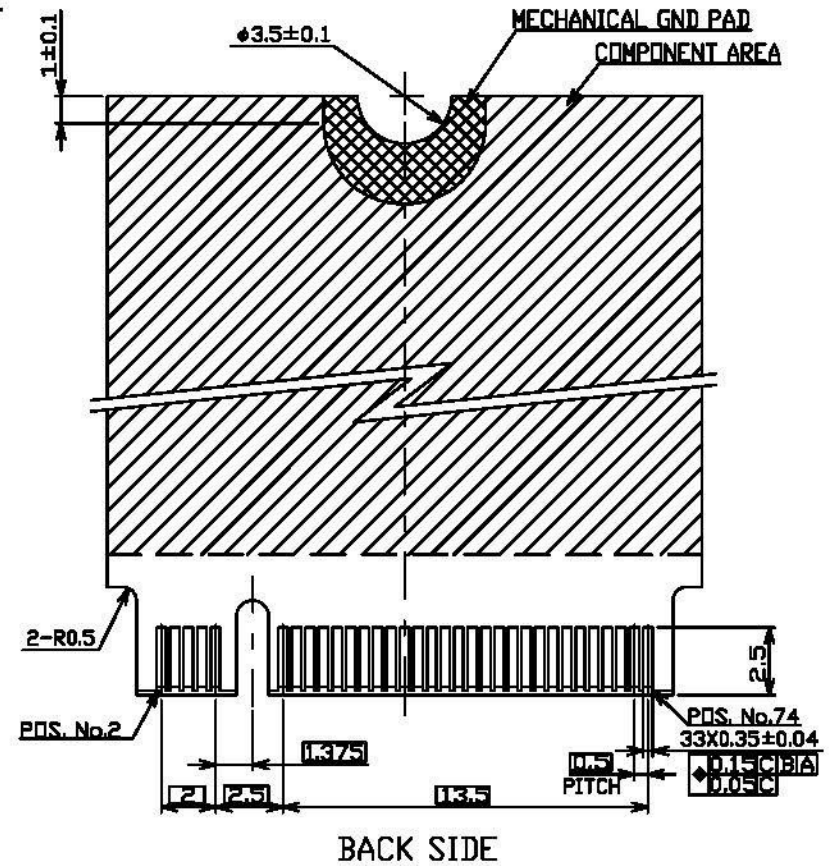
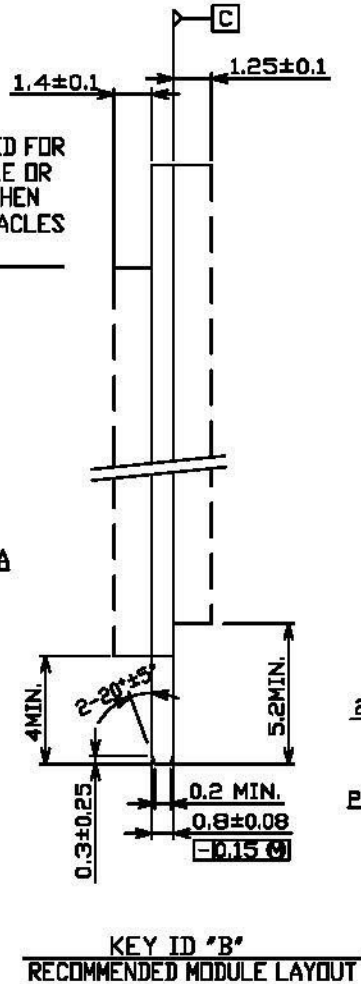
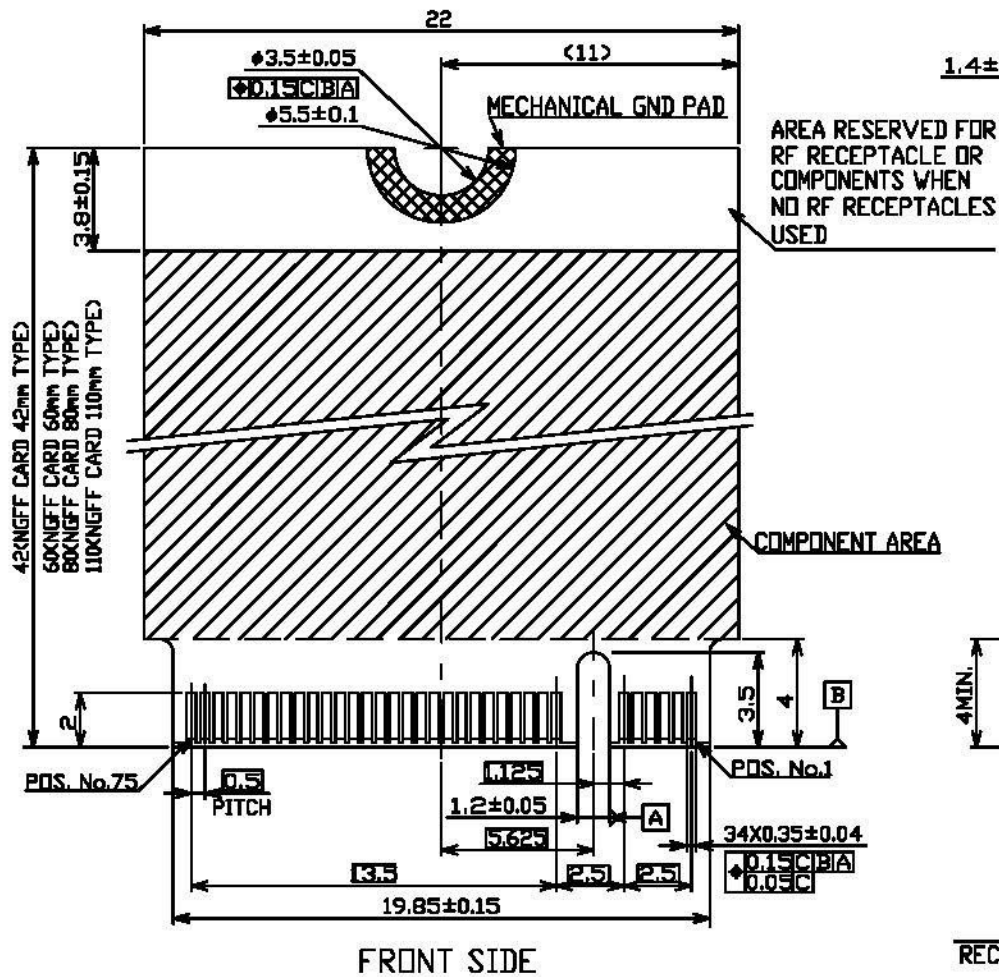
DRAWN NAME: M.2 Connector Key B H:4.2mm

PRODUCT NO. 123A-42BA0-R01

- △ Revise:
- △ Revise:
- △ Revise:

REV.	DESCRIPTION	DATE	REV.	DESCRIPTION	DATE	SIZE	REV.	FILE NAME
1						A4	1.0	123A-42BA0-R01_B_1

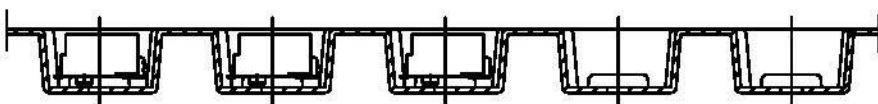
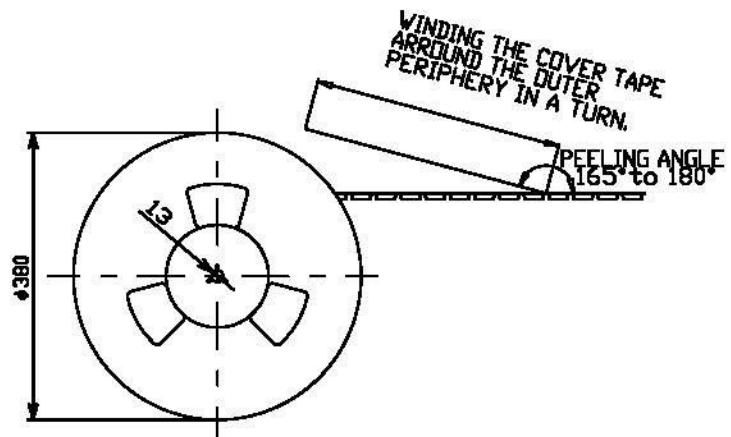
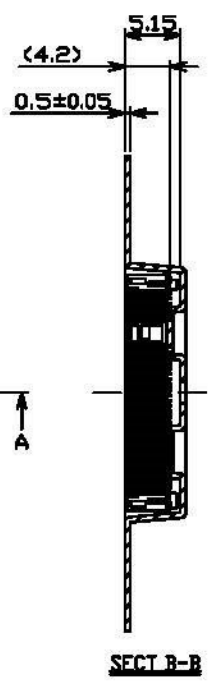
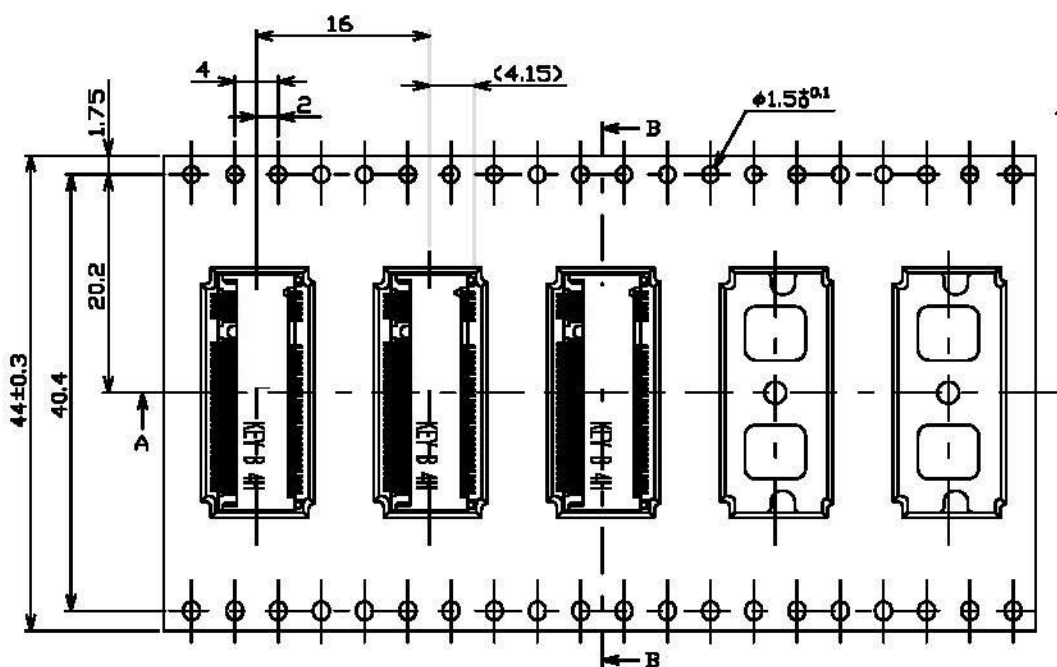




				UNLESS OTHERWISE SPECIFIED TOLERANCE			All Connectors		
				ANGLES	ANG.	±SP	www.allconnectors.de		
				LINEAR	0.0	±0.25	Tel: +49 7141 7002500		
				SCALE	AS SHOWN	UNIT: mm	Info@allconnectors.de		
				DRAWN	Willis	2013/12/09	Rev: 040 01.000004		
				CHECKED	Angel	2013/12/09	TUTCA IT-Design - Germany		
				APPROVED	Ken	2013/12/09	Kraemerstr. 25		
REV.	DESCRIPTION	DATE	REV.	DESCRIPTION	DATE	SIZE	REV.	FILE NAME	PRODUCT NO.
A	Revise:					A4	1.0	123A-42BA0-R01_B_1	123A-42BA0-R01
	Revise:								
	Revise:								
1			2						
			3						
			4						
			5						
			6						
			7						
			8						
			9						
			10						

DIRECTION OFF TOP OF REEL

- NOTES:
1. THE DIRECTION OF EACH CONNECTOR ON A EMOSS IS REFERED TO THIS DRAWING.
  2. GENERAL TOLERANCE:  $\pm 0.5$ ,  $\pm 3^\circ$
  3. PACKAGED IN EMOSS TAPE AND PLASTIC REEL 1000 PCS PRE REEL.



						UNLESS OTHERWISE SPECIFIED TOLERANCE ANGLES    ANG    ±5P 0        ±0.3 LINEAR    0.0       ±0.25 0.00      ±0.20			<b>All connectors</b> www.allconnectors.de    info@allconnectors.de Tel: +49 40 40000    Fax: +49 40 40000 20248 Finkenfeldt, Germany    20248 Finkenfeldt, Germany		
						SCALE	AS SHOWN	UNIT:	mm		
						DRAWN	Willis	2013/12/09		DRAWN NAME:	
						CHECKED	Angel	2013/12/09		M.2 Connector Key B H:4.2mm	
						APPROVED	Ken	2013/12/09		PRODUCT NO.	123A-42BA0-R01
REV.	DESCRIPTION		DATE	REV.	DESCRIPTION		DATE	SIZE	REV.	FILE NAME	
1				1				A4	1.0	123A-42BA0-R01_D_1	