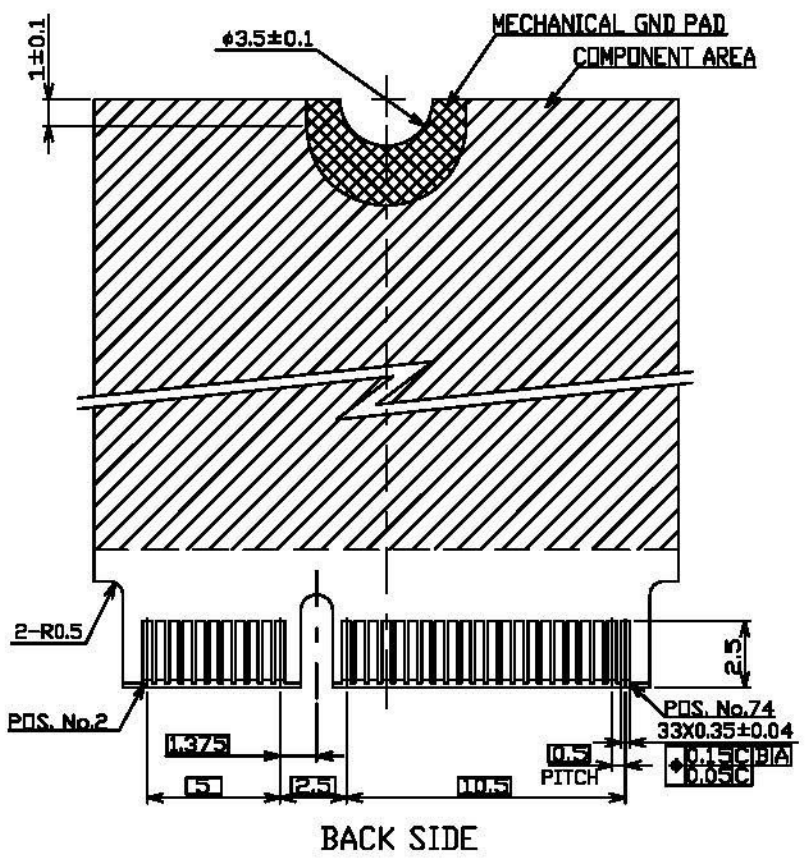
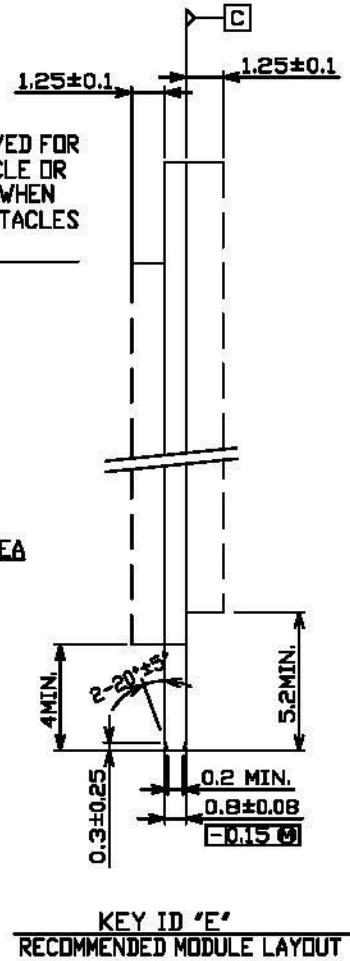
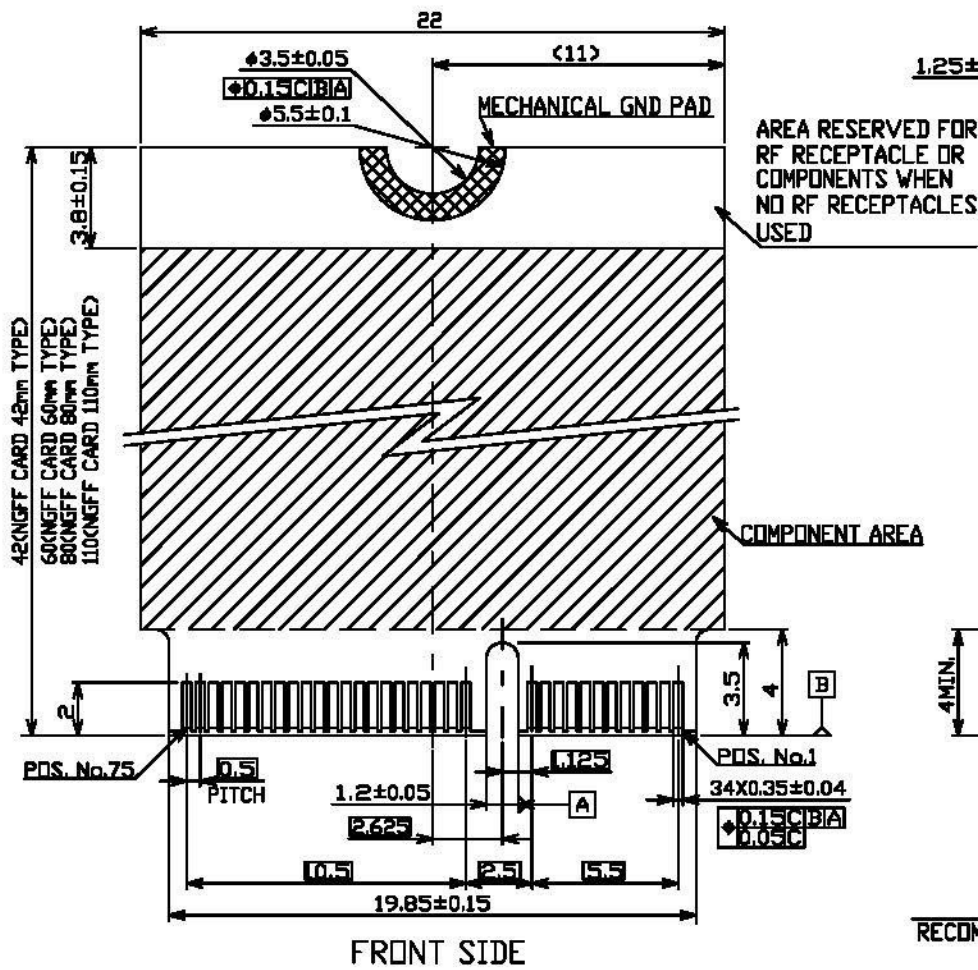


KEY ID "E"
RECOMMENDED P.C.BOARD LAYOUT

				UNLESS OTHERWISE SPECIFIED TOLERANCE			All Connectors	
				ANGLES	ANG	±SP	www.allconnectors.de	
					0	±0.3	info@allconnectors.de	
				LINEAR	0.0	±0.25	has: 045471100000	
					0.00	±0.20	NUM: 0120201 - Germany	
				SCALE	AS SHOWN	UNIT: mm	www.allconnectors.de	
				DRAWN	Willis	2013/12/09	DRAWN NAME:	
				CHECKED	Angel	2013/12/09	M.2 Connector Key E H:3.2mm	
				APPROVED	Ken	2013/12/09	PRODUCT NO.	123A-32EA0-R01
REV.	DESCRIPTION	DATE	REV.	DESCRIPTION	DATE	SIZE	REV.	FILE NAME
1						A4	1.0	123A-32EA0-R01_B_1



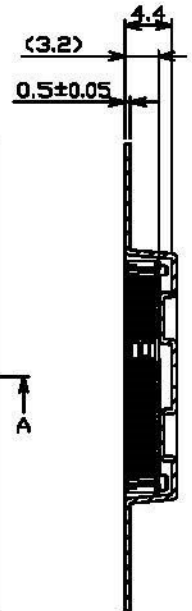
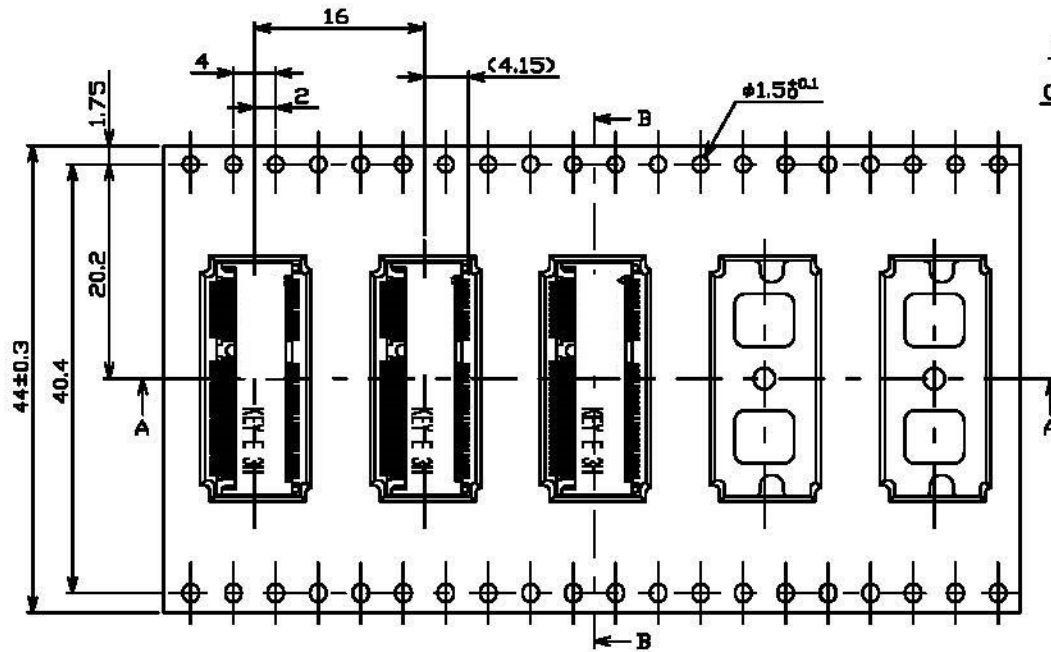
REV.	DESCRIPTION	DATE	REV.	DESCRIPTION	DATE	SIZE	REV.	FILE NAME
1						A4	1.0	123A-32EA0-R01_B_1

UNLESS OTHERWISE SPECIFIED TOLERANCE			All Connectors	
ANGLES	ANG.	+SP	www.allconnectors.de info@allconnectors.de 30794 Rildesdall - Germany Kollmeyerstr. 25	
LINEAR	0.0	±0.25		
	0.00	±0.20		
SCALE	AS SHOWN	UNIT: mm	DRAWN NAME:	
DRAWN	Willis	2013/12/09	M.2 Connector Key E H:3.2mm	
CHECKED	Angel	2013/12/09	PRODUCT NO.	123A-32EA0-R01
APPROVED	Ken	2013/12/09	FILE NAME	123A-32EA0-R01_B_1

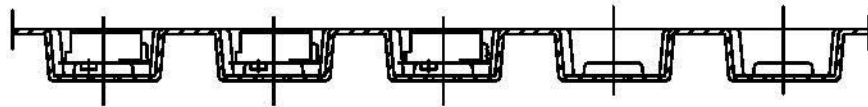
A Revise:
 A Revise:
 A Revise:

A

DIRECTION OFF TOP OF REEL



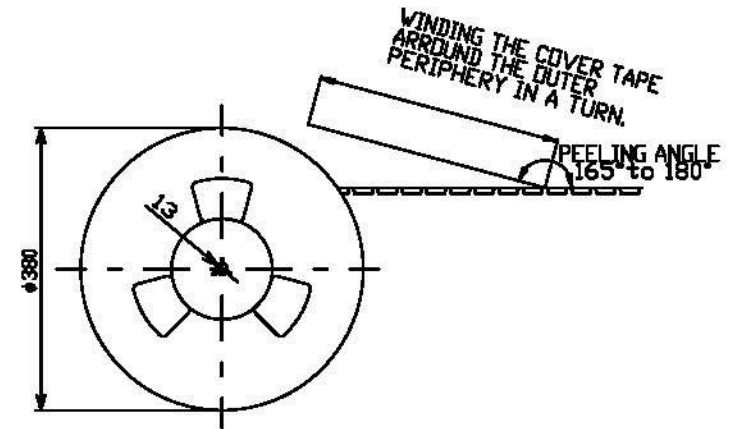
SECT B-B



SECT A-A

NOTES:

1. THE DIRECTION OF EACH CONNECTOR ON A EMBOSS IS REFERED TO THIS DRAWING.
2. GENERAL TOLERANCE: ± 0.5 , $\pm 3^\circ$
3. PACKAGED IN EMBOSS TAPE AND PLASTIC REEL 1200 PCS PRE REEL.



All connectors

www.allconnectors.com info@allconnectors.com
 Tel: +90 312 400 0000 Fax: +90 312 400 0000
 27284 Fildersheim Germany info@allconnectors.com

UNLESS OTHERWISE SPECIFIED TOLERANCE		
ANGLES	ANG.	±5'
	0.	±0.3
LINEAR	0.0	±0.25
	0.00	±0.20
SCALE	AS SHOWN	UNIT: mm
DRAWN	Willis	2013/12/09
CHECKED	Angel	2013/12/09
APPROVED	Ken	2013/12/09

DRAWN NAME:
M.2 Connector Key E H:3.2mm

PRODUCT NO. 123A-32EA0-R01

FILE NAME 123A-32EA0-R01_D_1

- △ Revise:
- △ Revise:
- △ Revise:

REV.	DESCRIPTION	DATE	REV.	DESCRIPTION	DATE	SIZE	REV.	FILE NAME
1						A4	1.0	123A-32EA0-R01_D_1