

SWITCH CIRCUIT

MATERIAL AND FINISH AS BELOW

WHEN CARD IS EJECTED WHEN CARD IS INSERTED

| | | | | |
|---|----------|--|---|--|
| A | Housing | LCP UL94V-0, Black | E | |
| B | Contact | Phosphor Bronze C5210, Contact Area:Gold Flash Over Nickel | F | |
| C | Holddown | Brass C2680, Tin Plated | G | |
| D | | | H | |

SPECIFICATION:

1. ELECTRICAL

- 1.1 Current Rating: 0.5A per pin
- 1.2 Voltage Rating: 50V DC
- 1.3 Contact Resistance: 55mΩ Max
- 1.4 Insulation Resistance: 500MΩ Min
- 1.5 Dielectric Withstanding Voltage: 300VAC

2. MECHANICAL

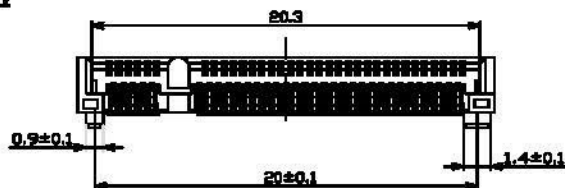
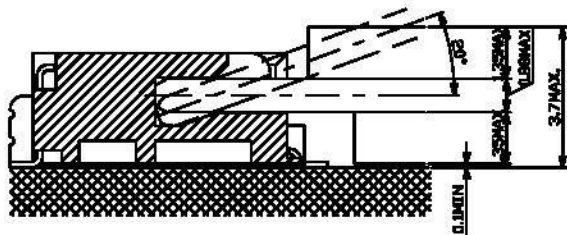
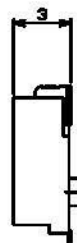
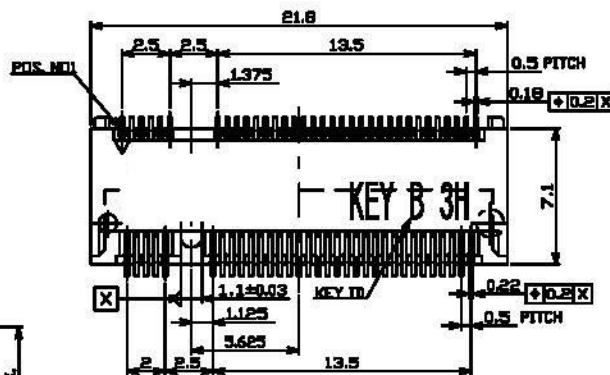
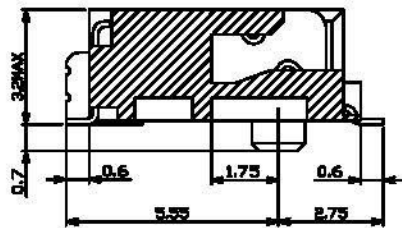
- 2.1 Durability: 200 Cycle
- 2.2 Insertion Force: 20N max.
- 2.3 Extraction Force: 25N max.

3. ENVIRONMENTAL

- 3.1 Operating temperature range: -40°C~+85°C
- 3.2 Storage temperature range: -40°C~+85°C

4. SOLDER ABILITY

- 4.1 Recommended IR Reflow Temperature: 260°C 10Sec
- 4.2 Recommended PCB Thickness: 1.0mm



| | | | | | | | | | | | |
|--|----|----|----|----|----|-------------|----|----|-----|-----|-----|
| P1 | P2 | P3 | P4 | P5 | P6 | P7 | P8 | P9 | P10 | P11 | P12 |
| PIN ASSIGNMENT | | | | | | | | | | | |
| 123A-32BA0-R01 M.2 Connector, Key B Type Pitch:0.50mm H:3.2mm, Contact Area:Gold Flash | | | | | | | | | | | |
| PRODUCT NO. | | | | | | DESCRIPTION | | | | | |



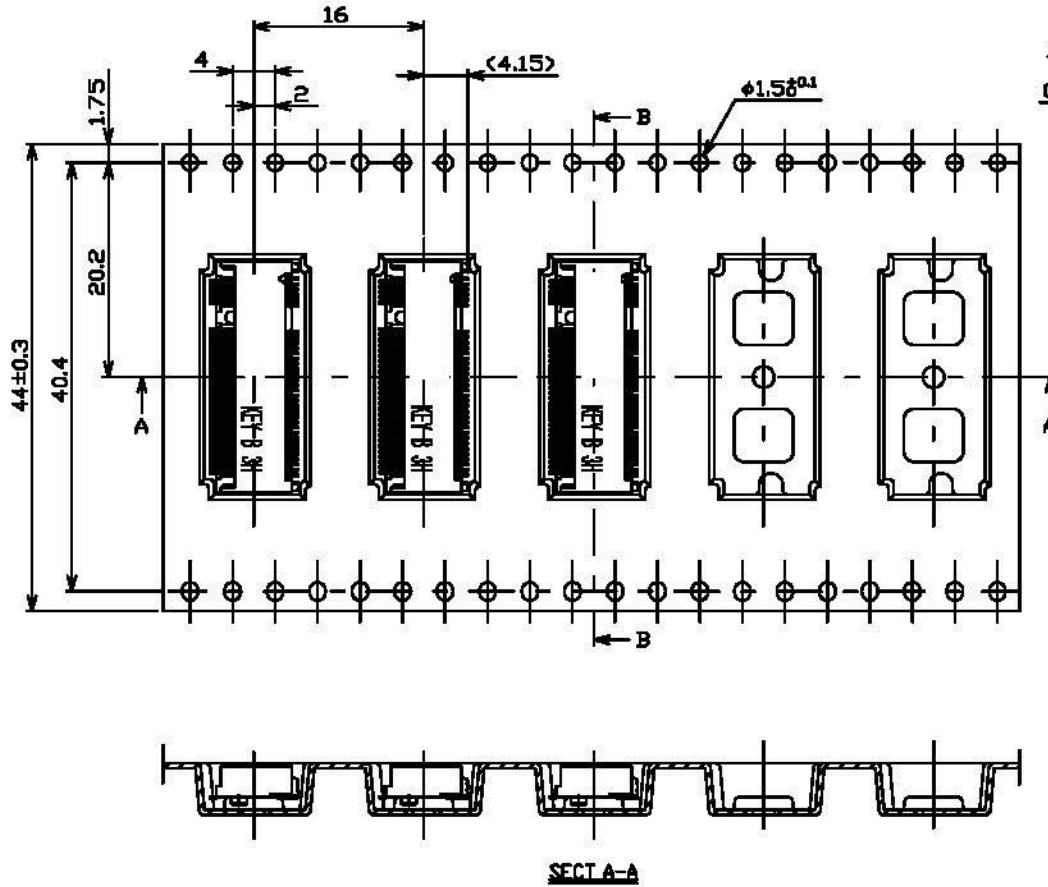
www.allconnectors.com info@allconnectors.com
 Tel: 0049 711 209696 Fax: 0049 711 209694
 70724-Flörsdorf-Germany Ketzmerstr. 25

| | | | |
|--------------------------------------|----------|------------|-----------------------------|
| UNLESS OTHERWISE SPECIFIED TOLERANCE | ANGLES | ANG | +5P |
| | 0 | | ±0.3 |
| LINEAR | 0.0 | | ±0.25 |
| | 0.00 | | ±0.20 |
| SCALE | AS SHOWN | UNIT: | mm |
| DRAWN | Willis | 2013/12/09 | DRAWN NAME: |
| CHECKED | Angel | 2013/12/09 | M.2 Connector Key B H:3.2mm |
| APPROVED | Ken | 2013/12/09 | PRODUCT NO. |
| | | | 123A-32BA0-R01 |

- △ Revise:
- △ Revise:
- △ Revise:

| REV. | DESCRIPTION | DATE | REV. | DESCRIPTION | DATE | SIZE | REV. | FILE NAME |
|------|-------------|------|------|-------------|------|------|------|--------------------|
| 1 | | | | | | A4 | 1.0 | 123A-32BA0-R01_B_1 |

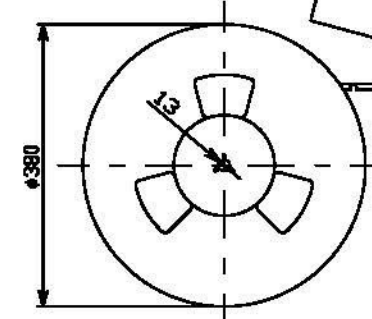
DIRECTION OFF TOP OF REEL



NOTES:

1. THE DIRECTION OF EACH CONNECTOR ON A EMBOSS IS REFERED TO THIS DRAWING.
2. GENERAL TOLERANCE : ±0.5 , ±3°
3. PACKAGED IN EMBOSS TAPE AND PLASTIC REEL 1200 PCS PRE REEL.

WINDING THE COVER TAPE AROUND THE OUTER PERIPHERY IN A TURN.
PEELING ANGLE 165° to 180°



SECT B-B

SECT A-A

| UNLESS OTHERWISE SPECIFIED TOLERANCE | | |
|--------------------------------------|----------|----------|
| ANGLES | ANG. | ±5° |
| LINEAR | 0. | ±0.3 |
| | 0.0 | ±0.25 |
| | 0.00 | ±0.20 |
| SCALE | AS SHOWN | UNIT: mm |

All connectors

www.allconnectors.de info@allconnectors.de
tel: +49 4103 4000 fax: +49 4103 4000
70349 Pleissfeld, Germany R. 01100000000000000000

| | | |
|----------|--------|------------|
| DRAWN | Willis | 2013/12/09 |
| CHECKED | Angel | 2013/12/09 |
| APPROVED | Ken | 2013/12/09 |

DRAWN NAME:
M.2 Connector Key B H:3.2mm

PRODUCT NO. 123A-32BA0-R01

| | | |
|---|---------|--|
| △ | Revise: | |
| △ | Revise: | |
| △ | Revise: | |

| REV. | DESCRIPTION | DATE | REV. | DESCRIPTION | DATE | SIZE | REV. | FILE NAME |
|------|-------------|------|------|-------------|------|------|------|--------------------|
| 1 | | | | | | A4 | 1.0 | 123A-32BA0-R01_D_1 |