

PRODUCT NO.	ITEM	PART NAME	Q'TY	MATERIAL	PLATING
119A-92A00-R02	1	BODY	1	LCP	
	2	CONTACT	52	PHOSPHOR BRONZE	GOLD 1u'
	3	HOLD DOWN	2	BRASS	TIN 100u'

Material  
 Plastic Body : LCP, Color Black.  
 Contact : Phosphor Bronze Alloy (C5191R-H)  
 Contacts Plating: Contact area: Gold Plated  
 Solder area: Tin

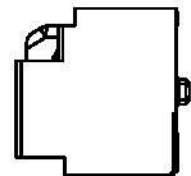
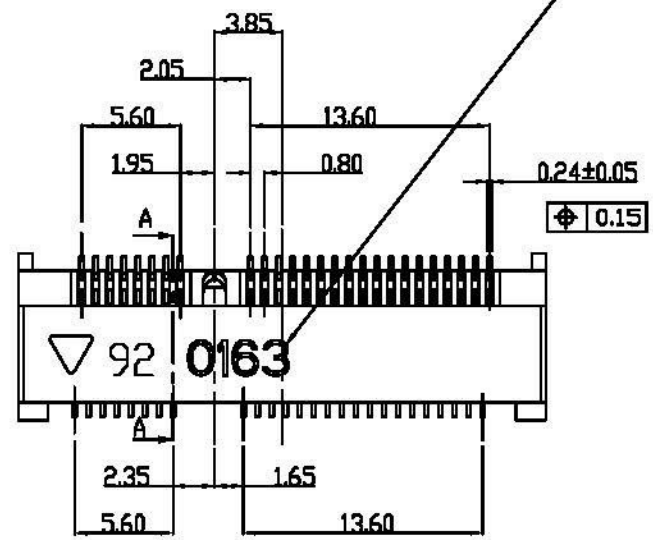
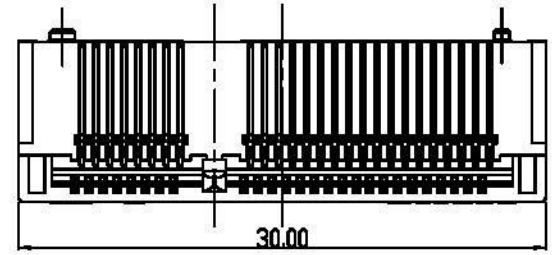
Hold Down : Brass(C2680R-H)  
 Hold Down Plating: Tin

Electrical:  
 Rating Current: 0.5A(Max.)/(1PIN)  
 Rating Voltage: 50V AC  
 Contact Resistance: 30 mΩ (Max)  
 Insulation Resistance: 500 MΩ (Min.)

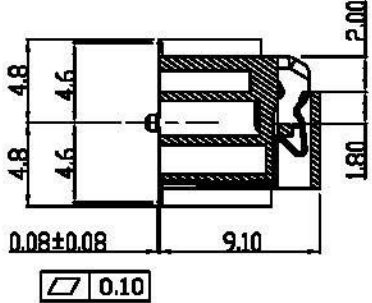
Mechanical:  
 Contact Normal Force: 50 gf per pin (Min.)  
 Durability: 100 mating and unmating cycles

Environmental:  
 Operating Temperature: -40°C to +90°C  
 Storage Temperature: -40°C to +90°C  
 Solder ability: 260±5°C

DATE CODE: 0163 (YWW)  
 Y: 0 YEAR(2010)  
 WW:16 WEEK(01-52)  
 D: 3 DAY(01-07)



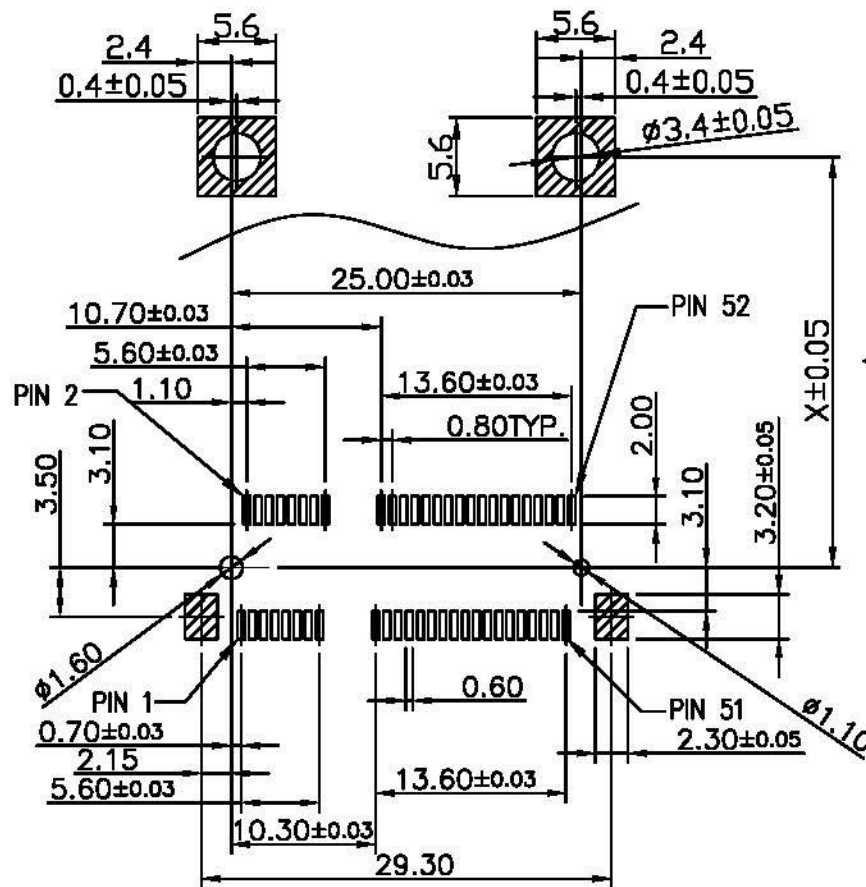
SECTION A-A



PRODUCT NUMBER:  
 119A-92 A 0 0-R02  
 1 2 3 4

- 1. Stand off  
92: 9.2mm
- 2. Contact plating  
A: gold flash
- 3. Color  
D: black
- 4. RoHS

REV.	DESCRIPTION	DATE	REV.	DESCRIPTION	DATE	SCALE	SIZE	REV.	FILE NAME																									
1						AS SHOWN	A4	1.0	119A-92A00-R02_B_3																									
<table border="1"> <thead> <tr> <th colspan="3">UNLESS OTHERWISE SPECIFIED TOLERANCE</th> </tr> </thead> <tbody> <tr> <td>ANGLES</td> <td>ANG.</td> <td>+5P</td> </tr> <tr> <td rowspan="3">LINEAR</td> <td>0.</td> <td>±0.3</td> </tr> <tr> <td>0.0</td> <td>±0.25</td> </tr> <tr> <td>0.00</td> <td>±0.20</td> </tr> <tr> <td>SCALE</td> <td>AS SHOWN</td> <td>UNIT: mm</td> </tr> <tr> <td>DRAWN</td> <td>Willis</td> <td>2012/08/03</td> </tr> <tr> <td>CHECKED</td> <td>Angel</td> <td>2012/08/03</td> </tr> <tr> <td>APPROVED</td> <td>Ken</td> <td>2012/08/03</td> </tr> </tbody> </table>						UNLESS OTHERWISE SPECIFIED TOLERANCE			ANGLES	ANG.	+5P	LINEAR	0.	±0.3	0.0	±0.25	0.00	±0.20	SCALE	AS SHOWN	UNIT: mm	DRAWN	Willis	2012/08/03	CHECKED	Angel	2012/08/03	APPROVED	Ken	2012/08/03	<p><b>All Connectors</b></p> <p>www.allconnectors.de info@allconnectors.de        Tel: 0540 711 7000-80 Fax: 0540 711 7000-84        · 70794 Filderstadt · Germany Kellernstr. 15</p> <p>DRAWN NAME: Mini PCI Express Socket H:9.2mm</p> <p>PRODUCT NO. 119A-92A00-R02</p>			
UNLESS OTHERWISE SPECIFIED TOLERANCE																																		
ANGLES	ANG.	+5P																																
LINEAR	0.	±0.3																																
	0.0	±0.25																																
	0.00	±0.20																																
SCALE	AS SHOWN	UNIT: mm																																
DRAWN	Willis	2012/08/03																																
CHECKED	Angel	2012/08/03																																
APPROVED	Ken	2012/08/03																																
<p>△ Revise:</p> <p>△ Revise:</p> <p>△ Revise: Date Code</p>		<p>2010/04/30</p>																																



Recommended P.C.Board Layout.

Note:  
Standard Card: X=48.05mm  
(Card Length 50.95mm)

Short Card: X=23.90mm  
(Card Length 26.65mm)

UNLESS OTHERWISE SPECIFIED TOLERANCE

ANGLES	ANG.	±5°
		±0.3
LINEAR		±0.25
		±0.20
SCALE	AS SHOWN	UNIT: mm
DRAWN	Willis	2012/08/03
CHECKED	Angel	2012/08/03
APPROVED	Ken	2012/08/03

**Allconnectors**

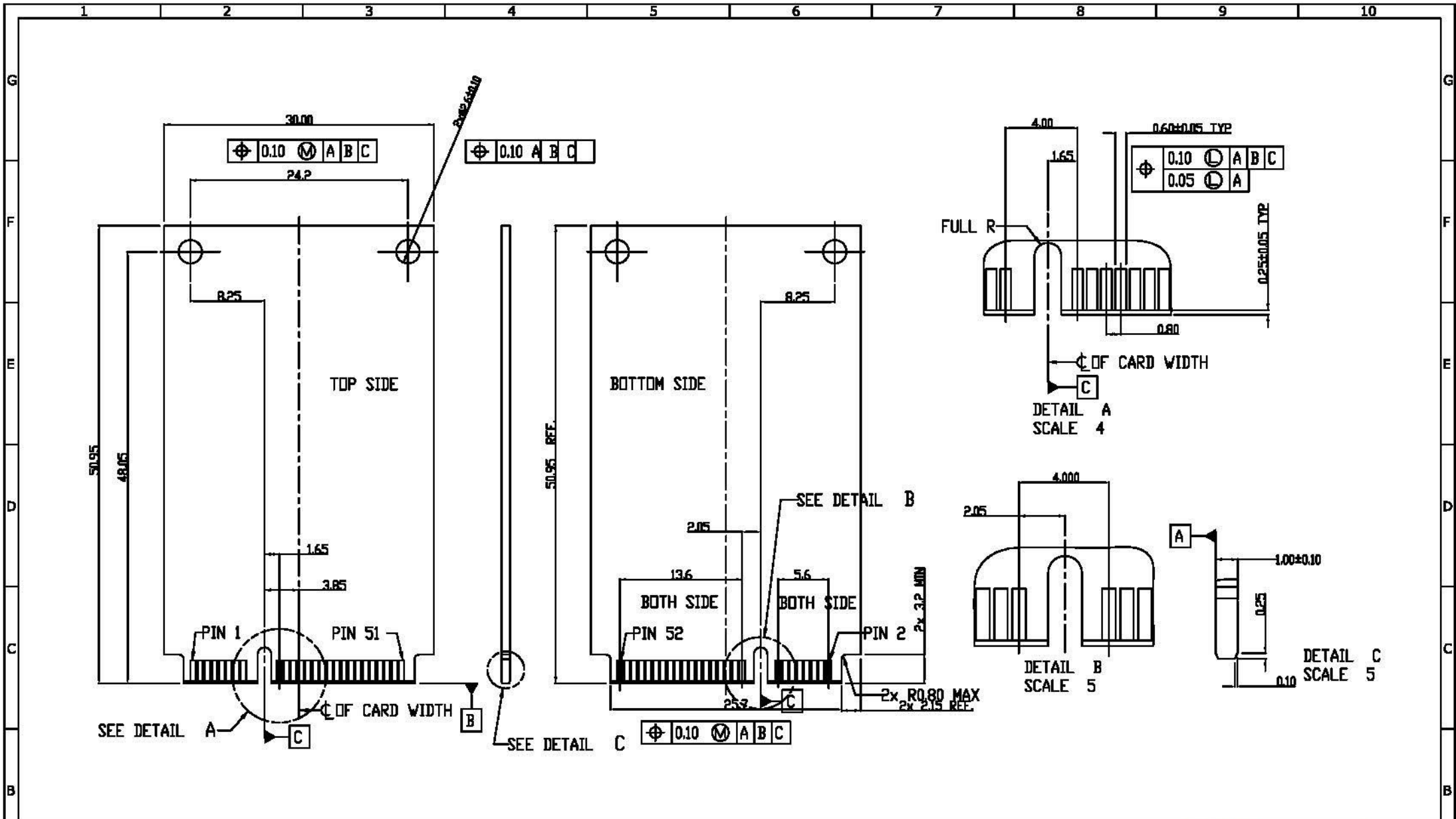
www.allconnectors.de info@allconnectors.de  
Tel.: 0349 711 209590 Fax: 0349 711 209504  
12/911 Hildesheim - Germany Kettnerstr. 22

DRAWN NAME:  
Mini PCI Express Socket Layout

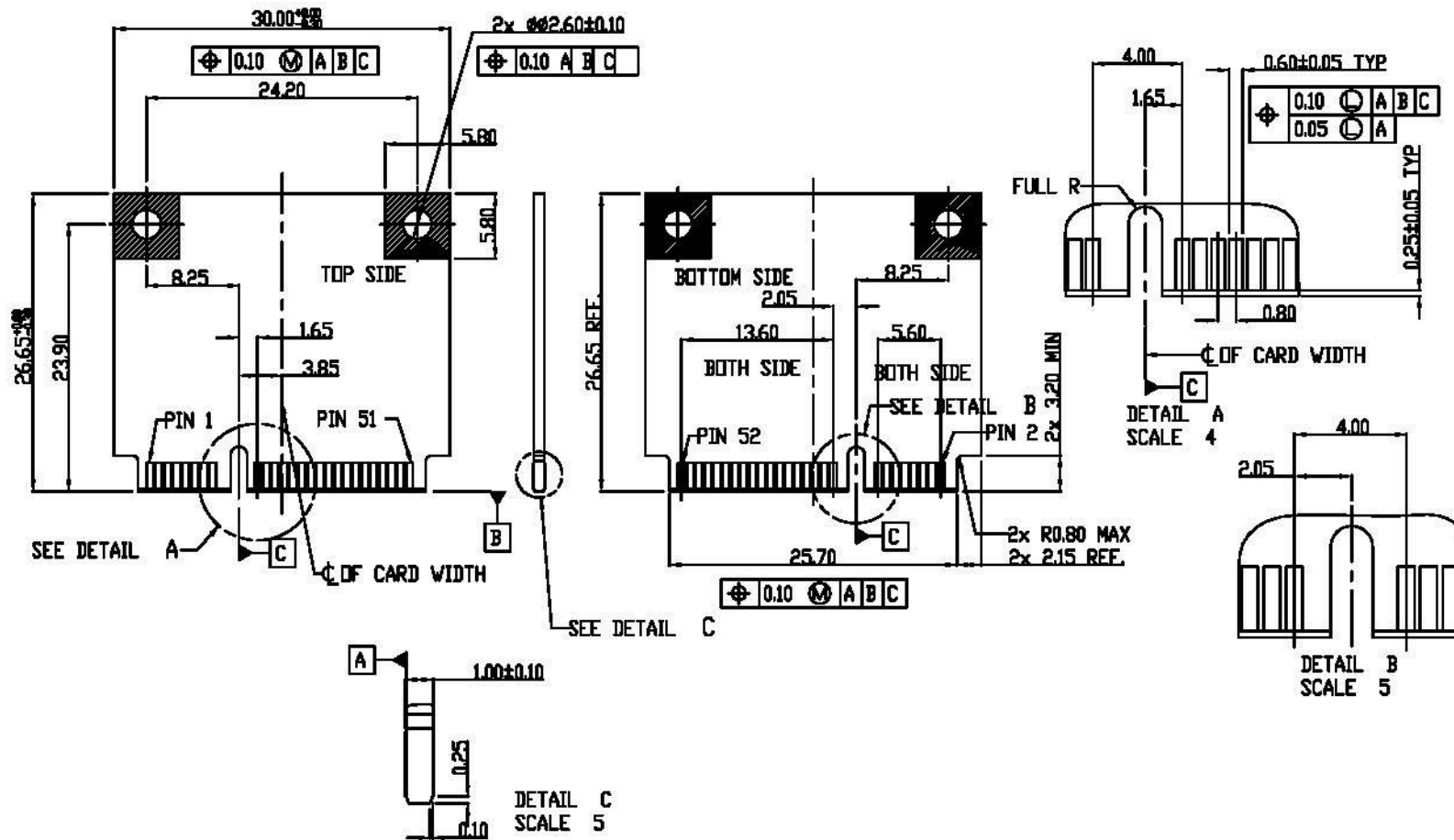
PRODUCT NO.

- △ Revise:
- △ Revise:
- △ Revise:

REV.	DESCRIPTION	DATE	REV.	DESCRIPTION	DATE	SIZE	REV.	FILE NAME
1						A4	1.0	

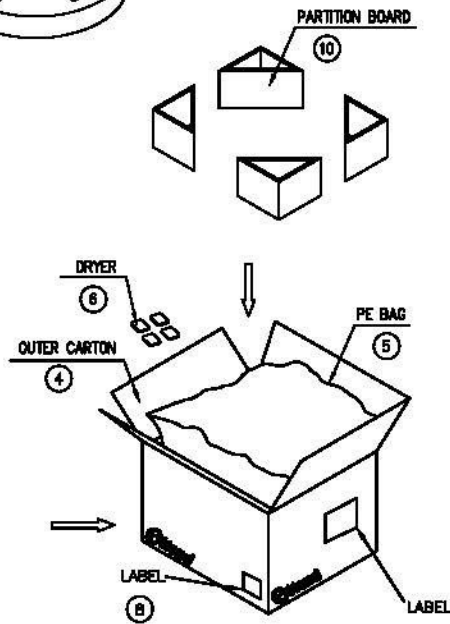
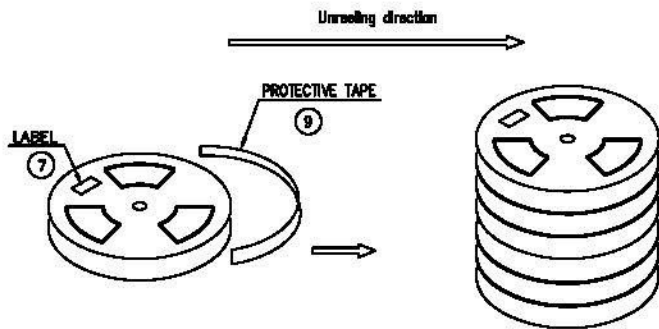
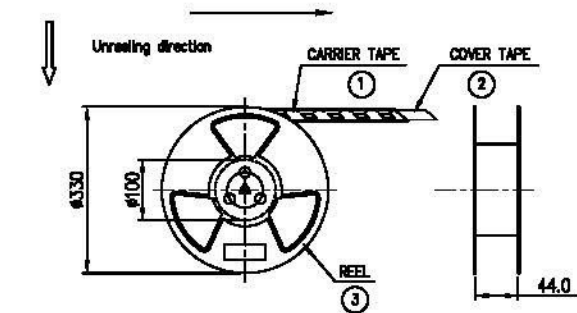
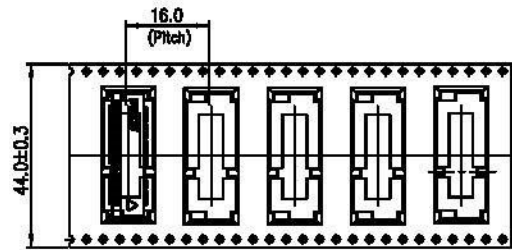


				UNLESS OTHERWISE SPECIFIED TOLERANCE			All Connectors		
				ANGLES	ANG.	+5P	www.allconnectors.de Tel: 0049 711 700700 70721 Ulm/Leipzig - Germany		
				LINEAR	0.0	±0.25	info@allconnectors.de Tel: 0049 711 700704 Kettelerstr. 25		
				SCALE	AS SHOWN	UNIT: mm	DRAWN NAME: Mini PCI Express Socket H:9.2mm		
				DRAWN	Willis	2012/08/03	PRODUCT NO. 119A-92A00-R02		
				CHECKED	Angel	2012/08/03	FILE NAME 119A-92A00-R02_B_3		
				APPROVED	Ken	2012/08/03			
REV.	DESCRIPTION	DATE	REV.	DESCRIPTION	DATE	SIZE	REV.		
A	Revise:					A4	1.0		
	Revise:								
	Revise: Date Code	2010/04/30							
1			2						
2			3						
3			4						
4			5						
5			6						
6			7						
7			8						
8			9						
9			10						



				UNLESS OTHERWISE SPECIFIED TOLERANCE			All connectors	
				ANGLES	ANG.	±SP	www.allconnectors.de	
				LINEAR	0.00	±0.25	TEL: +49 711 706908	
				SCALE	AS SHOWN	UNIT: mm	+49 711 706904	
				DRAWN	Willis	2012/08/03	Kollmesele, D	
				CHECKED	Angel	2012/08/03	Kollmesele, D	
				APPROVED	Ken	2012/08/03	Kollmesele, D	
REV.	DESCRIPTION	DATE	REV.	DESCRIPTION	DATE	SIZE	REV.	FILE NAME
1						A4	1.0	119A-92A00-R02_B_3
							DRAWN NAME: MinI PCI Express Socket H:9.2mm	
							PRODUCT NO: 119A-92A00-R02	
							FILE NAME: 119A-92A00-R02_B_3	

- Revise:
- Revise:
- Revise: Date Code 2010/04/30



NOTES:  
1. PACKING STYLE:

119A-40A00-R02  
700 PCS/REEL  
4200 PCS/OUTER CARTON

119A-56A00-R02  
550 PCS/REEL  
3300 PCS/OUTER CARTON

119A-80A00-R02  
400 PCS/REEL  
2400 PCS/OUTER CARTON

⚠️ 119A-92A00-R02  
300 PCS/REEL  
1800 PCS/OUTER CARTON

2. MATERIAL CARRIER TAPE: PS BLACK  
COVER TAPE: PET FILM  
REEL: PLASTIC

3. PEEL STRENGTH OF COVER TAPE: 20-80g (PEEL SPEED 300mm/MINUTE).

10	PARTITION BOARD	4	PCS	
9	PROTECTIVE TAPE	3	PCS	
8	LABEL	1	PCS	
7	LABEL	6	PCS	
6	DRYER	4	BAG	
5	PE BAG	1	PCS	L850*W750mm
4	OUTER CARTON	1	PCS	
3	REEL	8	SET	#330*100mm, W=44mm
2	COVER TAPE	SEE NOTES	6	PCS W=37.5mm
1	CARRIER TAPE	SEE NOTES	6	PCS W=44mm, T=0.35mm
NO	PACKING NAME	PCS/R/R/BOX	UNIT	NOTE
		PACKING QTY		

UNLESS OTHERWISE SPECIFIED TOLERANCE		
ANGLES	ANG.	±5°
		±0.3
LINEAR		±0.25
		±0.20
SCALE	AS SHOWN	UNIT: mm
DRAWN	Willis	2012/08/03
CHECKED	Angel	2012/08/03
APPROVED	Ken	2012/08/03

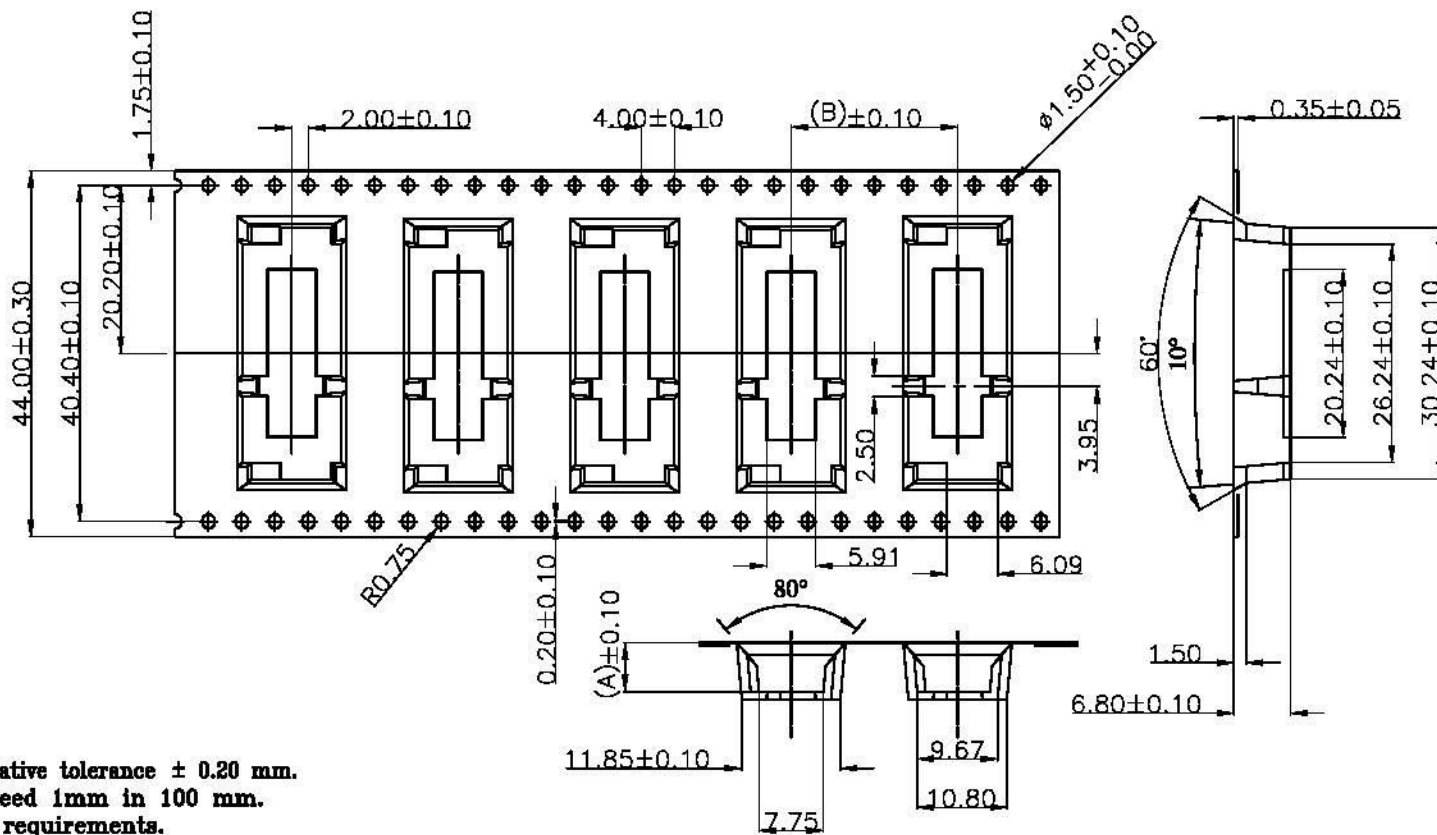
**All connectors**  
[www.allconnectors.de](http://www.allconnectors.de) info@allconnectors.de  
 Tel.: 0919 711 702000 Fax: 0919 711 702000  
 70754 Filberstadt, Germany 67111 Mannheim, DE

DRAWN NAME:  
**Mini PCI Express Socket**

PRODUCT NO. **119A-XXA00-R02**

⚠️	Revise:		
⚠️	Revise: NOTE 9.2H 300PCS/REEL	2010/04/30	
⚠️	Revise: NOTE 9.2H 350PCS/REEL	2010/01/21	

REV.	DESCRIPTION	DATE	REV.	DESCRIPTION	DATE	SIZE	REV.	FILE NAME
1						A4	1.0	119A-XXA00-R02_D_4



**NOTES:**

1. 10 sprocket hole pitch cumulative tolerance  $\pm 0.20$  mm.
2. Carrier camber not to exceed 1mm in 100 mm.
3. All scope meet EIA-481-C requirements.
4. Material: Black Anti-static Polystyrene.
5. Thickness:  $0.35 \pm 0.05$  mm.

DIM.	119A-40A00-R02	119A-52A00-R02	119A-56A00-R02	119A-80A00-R02	119A-92A00-R02
A	4.30	5.50	5.90	8.30	9.50
B	16.00	16.00	16.00	16.00	20.00

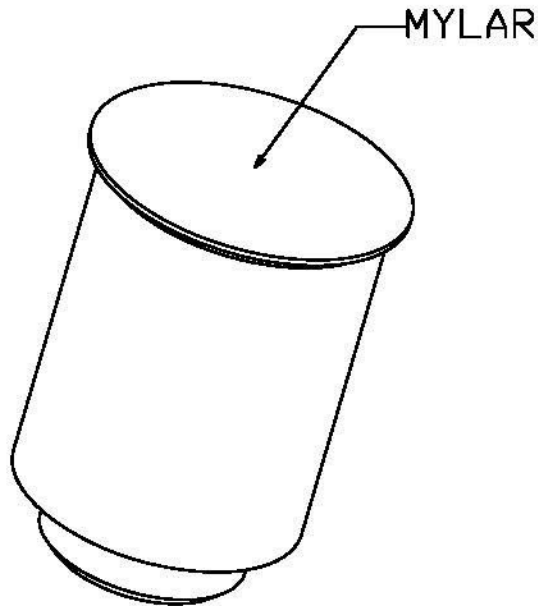
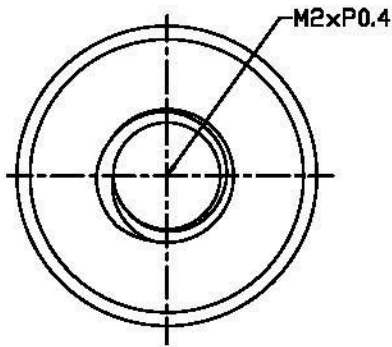
UNLESS OTHERWISE SPECIFIED TOLERANCE		
ANGLES	ANG.	$\pm 5^\circ$
	0.	$\pm 0.3$
LINEAR	0.0	$\pm 0.25$
	0.00	$\pm 0.20$
SCALE	AS SHOWN	UNIT: mm
DRAWN	Willis	2012/08/03
CHECKED	Angel	2012/08/03
APPROVED	Ken	2012/08/03

**All Connectors**  
 www.allconnectors.de info@allconnectors.de  
 Tel: +49 711 7003000 Fax: +49 711 7003001  
 70771 Ulm/Stein - Germany Kettensch. 25

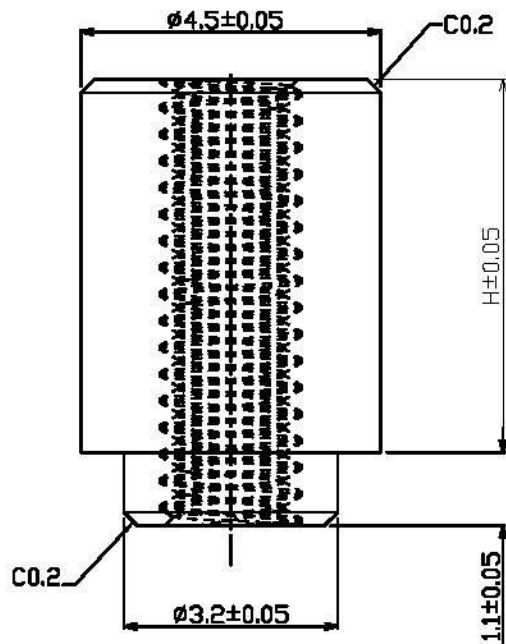
**Mini PCI Express Socket**

PRODUCT NO. 119A-XXA00-R02  
 FILE NAME 119A-XXA00-R02\_D\_4

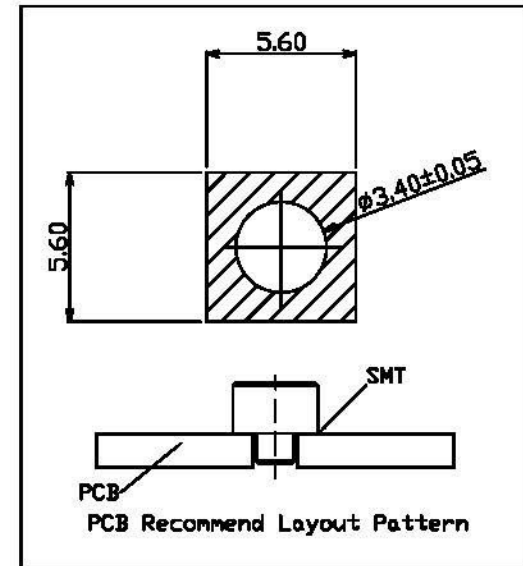
REV.	DESCRIPTION	DATE	REV.	DESCRIPTION	DATE
1			1		
2			2		
3			3		
4			4		
5			5		
6			6		
7			7		
8			8		
9			9		
10			10		



NOTE:  
 1.MATERIAL: Copper Alloy  
 2.Plating: Sn.



P/N	"H"±0.1	Mini PCI E P/N
119A-NUT-40-R02	1.6	119A-40A00-R02
119A-NUT-52-R02	2.8	119A-52A00-R02
119A-NUT-56-R02	3.2	119A-56A00-R02
119A-NUT-80-R02	5.6	119A-80A00-R02
119A-NUT-92-R02	6.8	119A-92A00-R02



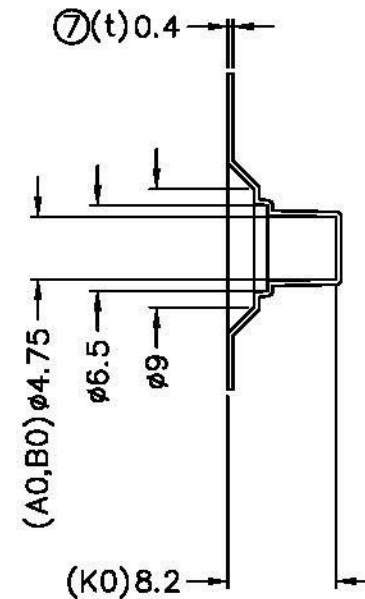
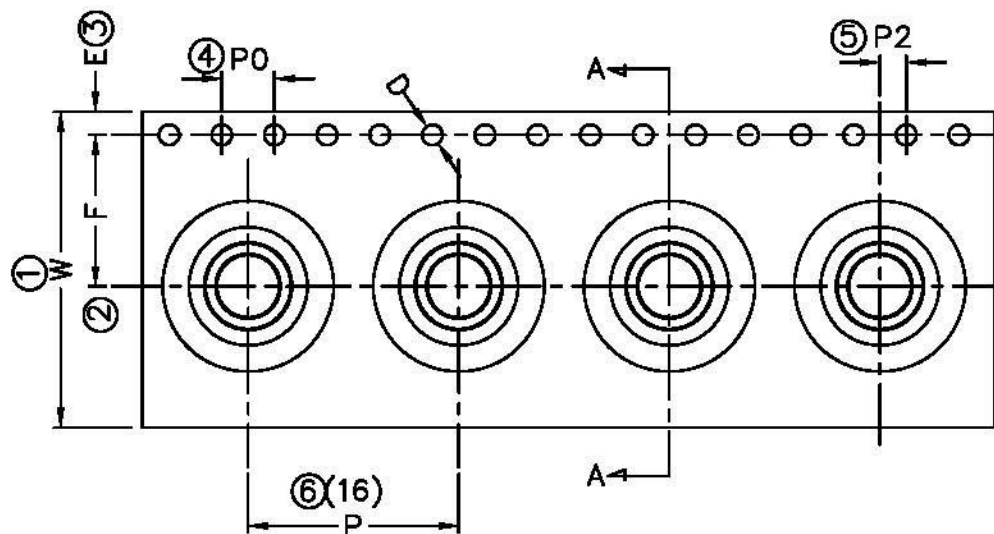
REV.	DESCRIPTION	DATE	REV.	DESCRIPTION	DATE	SIZE	REV.	FILE NAME
1			4			A4	1.0	119A-NUT-XX-R02_B_2

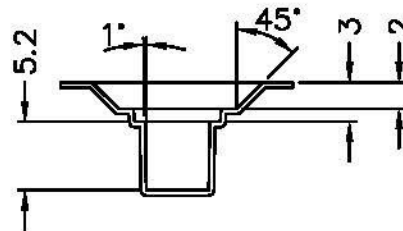
A  Revise: Revise: Revise:	UNLESS OTHERWISE SPECIFIED TOLERANCE	ANGLES	ANG.	±5°
		LINEAR	0.	±0.3
			0.0	±0.25
			0.00	±0.20
	SCALE	AS SHOWN	UNIT:	mm
	DRAWN	Willis	2013/01/25	<b>DRAWN NAME:</b> <b>Mini PCI Express Stand Off</b>
	CHECKED	Angel	2013/01/25	
	APPROVED	Ken	2013/01/25	
	PRODUCT NO.	119A-NUT-XX-R02		

**Allconnectors**

www.allconnectors.de  
 Tel.: 0049 711 7009103  
 20984 Hildesheim, Germany  
 info@allconnectors.de  
 Fax: 0049 711 7009104  
 ext@allconnectors.de



SECTION A-A



1. Material: Black Anti-static Polystyrene ,T=0.4mm
2. Component loaded per 13" reel : 400 pcs. (Core 4")

ITEM	W	A <sub>0</sub>	B <sub>0</sub>	K <sub>0</sub>	K <sub>1</sub>	P	F	E	D	D <sub>1</sub>	P <sub>0</sub>	P <sub>2</sub>
DIM	24.0 <sup>+0.30</sup> <sub>-0.30</sub>	4.75 <sup>+0.20</sup> <sub>-0.10</sub>	4.75 <sup>+0.20</sup> <sub>-0.10</sub>	8.20 <sup>+0.20</sup> <sub>-0.10</sub>	0.00 <sup>+0.20</sup> <sub>-0.10</sub>	16.0 <sup>+0.10</sup> <sub>-0.10</sub>	11.50 <sup>+0.10</sup> <sub>-0.10</sub>	1.75 <sup>+0.10</sup> <sub>-0.10</sub>	1.50 <sup>+0.10</sup> <sub>-0.00</sub>	0.00 <sup>+0.25</sup> <sub>-0.00</sub>	4.00 <sup>+0.10</sup> <sub>-0.10</sub>	2.00 <sup>+0.10</sup> <sub>-0.10</sub>

UNLESS OTHERWISE SPECIFIED TOLERANCE

ANGLES	ANG.	±5°
LINEAR	0.0	±0.3
	0.00	±0.25
	0.00	±0.20
SCALE	AS SHOWN	UNIT: mm
DRAWN	Willis	2012/12/10
CHECKED	Angel	2012/12/10
APPROVED	Ken	2012/12/10

**All Connectors**

www.allconnectors.com info@allconnectors.com  
 10000 N. 10th St. Suite 1000 Phoenix, AZ 85020  
 3700 N. 10th St. Suite 1000 Phoenix, AZ 85020

DRAWN NAME: Mini PCI Express Stand Off

PRODUCT NO. 119A-NUT-92-R02

Revise:  
 Revise:  
 Revise:

REV.	DESCRIPTION	DATE	REV.	DESCRIPTION	DATE	SIZE	REV.	FILE NAME
1			4			A4	1.0	119A-NUT-92-R02_D_2