

PRODUCT NO.	ITEM	PART NAME	Q'TY	MATERIAL	PLATING
119A-80A00-R02	1	BODY	1	LCP	
	2	CONTACT	52	PHOSPHOR BRONZE	GOLD 1u'
	3	HOLD DOWN	2	BRASS	TIN 100u'

Material
 Plastic Body : LCP, Color Black.
 Contact : Phosphor Bronze Alloy (C5191R-H)
 Contacts Plating: Contact area: Gold Plated
 Solder area: Tin

Hold Down : Brass(C2680R-H)
 Hold Down Plating: Tin

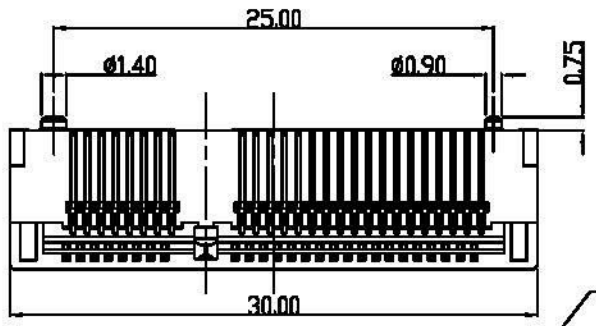
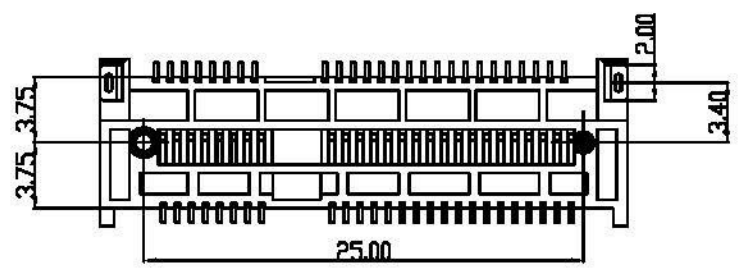
Electrical:
 Rating Current: 0.5A(Max.)/(1PIN)
 Rating Voltage: 50V AC
 Contact Resistance: 30 mΩ (Max)
 Insulation Resistance: 500 MΩ (Min.)

Mechanical:
 Contact Normal Force: 50 gf per pin (Min.)
 Durability: 100 mating and unmating cycles

Environmental:
 Operating Temperature: -40°C to +90°C
 Storage Temperature: -40°C to +90°C
 Solder ability: 260±5°C

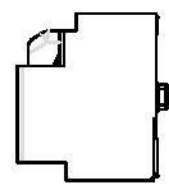
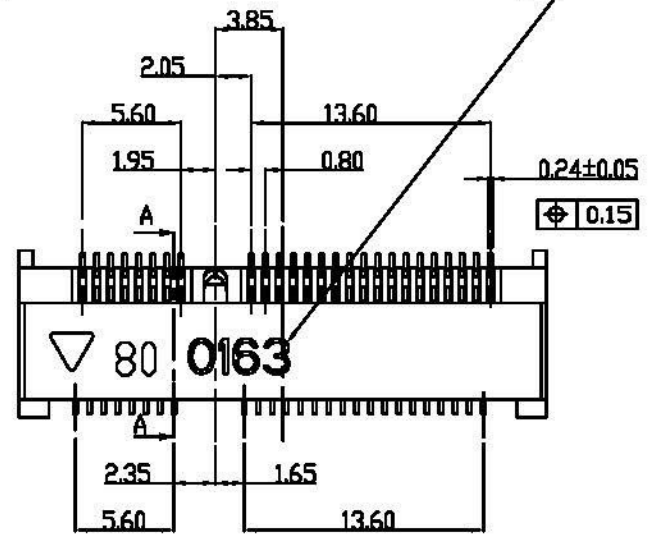
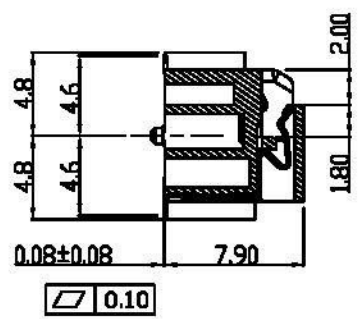
PRODUCT NUMBER:
 119A-80 A 0 0-R02
 1 2 3 4

- 1. Stand off
80: 8.0mm
- 2. Contact plating
Angold flash
- 3. Color
0:black
- 4. RoHS



DATE CODE: 0163 (YWVD)
 Y: 0 YEAR(2010)
 WW16 WEEK(01-52)
 D: 3 DAY(01-07)

SECTION A-A



UNLESS OTHERWISE SPECIFIED TOLERANCE		
ANGLES	ANG.	+5P
LINEAR	0.	±0.3
	0.0	±0.25
	0.00	±0.20
SCALE	AS SHOWN	UNIT: mm
DRAWN	Willis	2012/08/03
CHECKED	Angel	2012/08/03
APPROVED	Ken	2012/08/03

All Connectors
 www.allconnectors.com info@allconnectors.com
 Tel: 0049 711 206503 Fax: 0049 711 206504
 x27461@connectors.com ktm@connectors.com

DRAWN NAME: Mini PCI Express Socket H:8.0mm

PRODUCT NO. 119A-80A00-R02
 FILE NAME 119A-80A00-R02_B_4

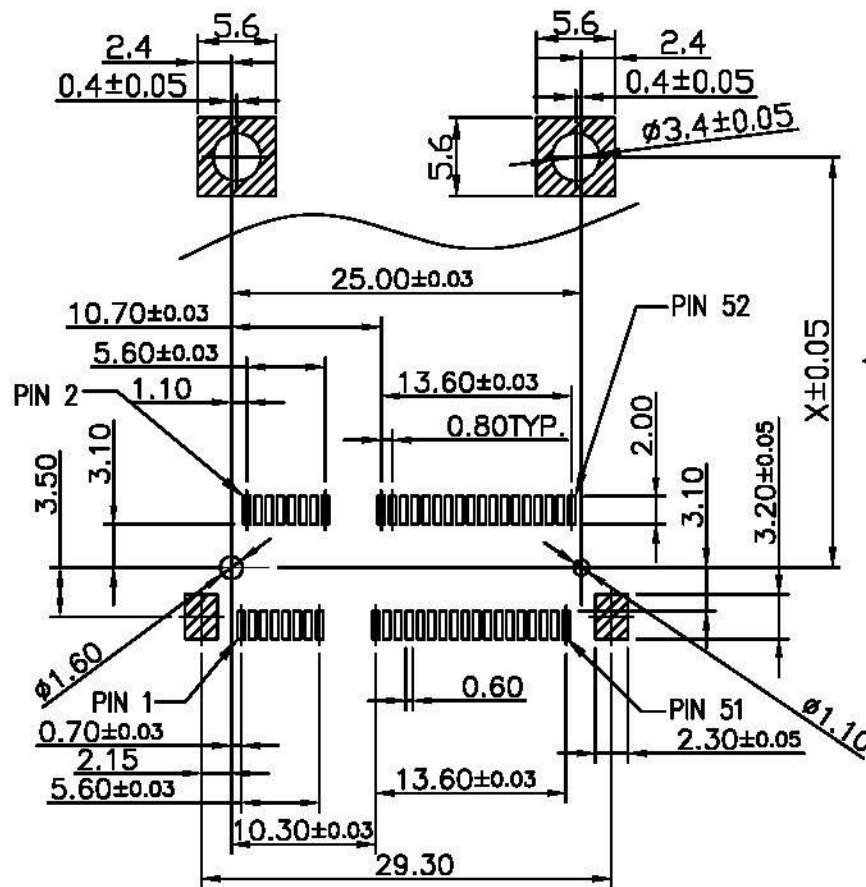
REV.	DESCRIPTION	DATE	REV.	DESCRIPTION	DATE
1			2		
3			4		
5			6		
7			8		
9			10		

- △ Revise:
- △ Revise:
- △ Revise: Date Code

2010/04/30



SIZE A4
 REV. 1.0



Note:
 Standard Card: X=48.05mm
 (Card Length 50.95mm)

Short Card: X=23.90mm
 (Card Length 26.65mm)

Recommended P.C.Board Layout.

UNLESS OTHERWISE SPECIFIED TOLERANCE

ANGLES	ANG.	±5°
		±0.3
LINEAR		±0.25
		±0.20
SCALE	AS SHOWN	UNIT: mm
DRAWN	Willis	2012/08/03
CHECKED	Angel	2012/08/03
APPROVED	Ken	2012/08/03

Allconnectors

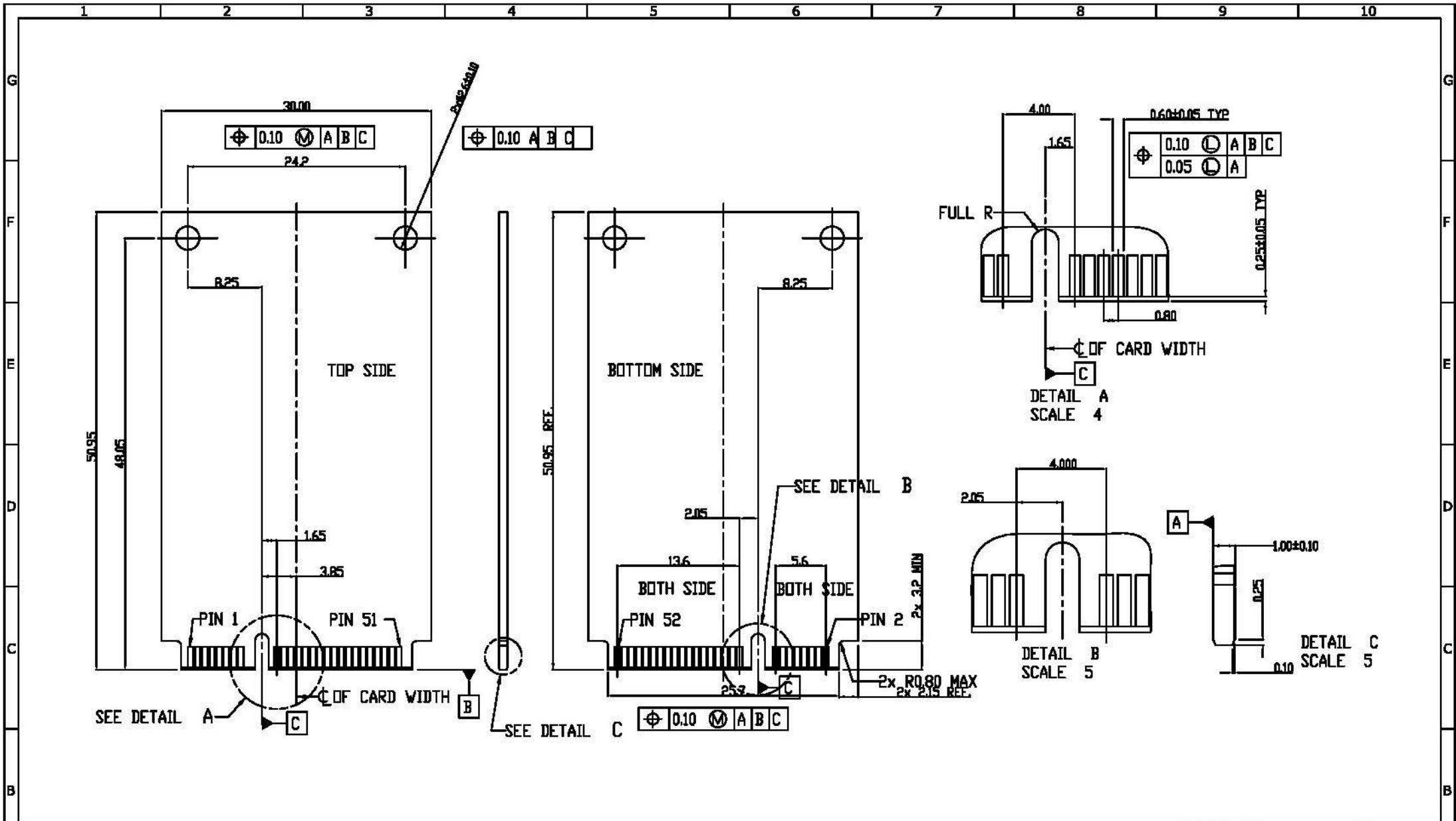
www.allconnectors.de info@allconnectors.de
 Tel.: 0049 711 7005503 Fax: 0049 711 7005501
 70754 Ploherstact - Germany Kottenhestr. 21

DRAWN NAME:
 Mini PCI Express Socket Layout

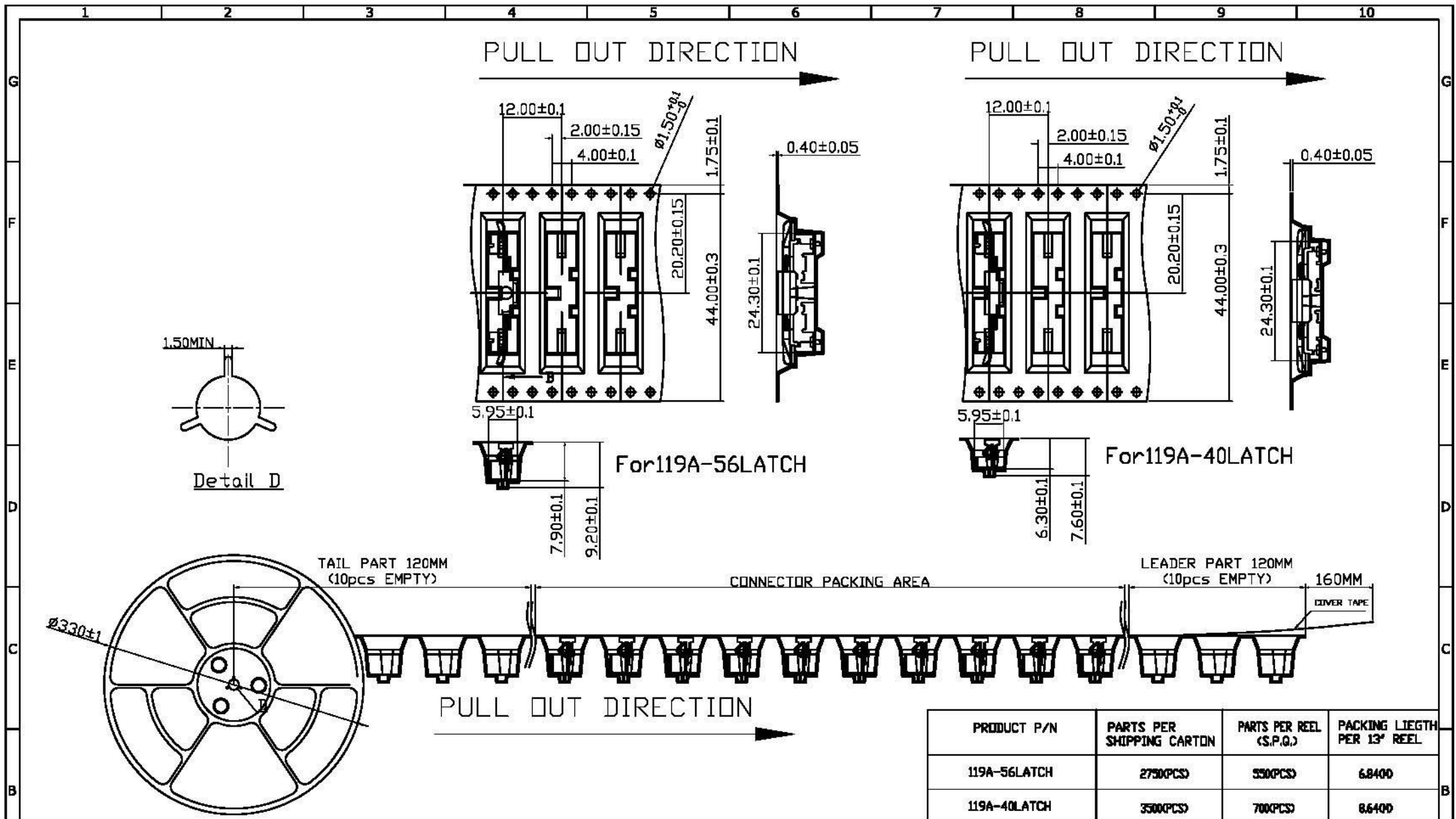
PRODUCT NO.

- △ Revise:
- △ Revise:
- △ Revise:

REV.	DESCRIPTION	DATE	REV.	DESCRIPTION	DATE	SIZE	REV.	FILE NAME
1						A4	1.0	



				UNLESS OTHERWISE SPECIFIED TOLERANCE			All connectors	
				ANGLES	ANG.	+SP	www.allconnectors.de info@allconnectors.de	
				LINEAR	0.0	±0.25	Tel: 0049 30 1005005 Fax: 0049 30 1005004	
				SCALE	AS SHOWN	UNIT: mm	KVA-Industrie - Germany ETT-00001-05	
A	Revise:			DRAWN	Willis	2012/08/03	DRAWN NAME: Mini PCI Express Socket H:8.0mm	
	Revise:			CHECKED	Angel	2012/08/03	PRODUCT NO. 119A-80A00-R02	
	Revise: Date Code	2010/04/30		APPROVED	Ken	2012/08/03	FILE NAME 119A-80A00-R02_B_4	
REV.	DESCRIPTION	DATE	REV.	DESCRIPTION	DATE	SIZE	REV.	FILE NAME
1						A4	1.0	



PRODUCT P/N	PARTS PER SHIPPING CARTON	PARTS PER REEL (S.P.Q.)	PACKING LENGTH PER 13" REEL
119A-56LATCH	2750PCS	550PCS	68400
119A-40LATCH	3500PCS	700PCS	86400

REV.	DESCRIPTION	DATE	REV.	DESCRIPTION	DATE
1			4		
2			5		
3			6		

UNLESS OTHERWISE SPECIFIED TOLERANCE		
ANGLES	ANG.	±5°
		±0.3
LINEAR		±0.25
		±0.20
SCALE	AS SHOWN	UNIT: mm
DRAWN	Willis	2014/04/23
CHECKED	Angel	2014/04/23
APPROVED	Ken	2014/04/23

All Connectors

www.allconnectors.de
Tel.: 0049 711 7005003
70754 Filkestadt - Germany

info@allconnectors.de
Fax: 0049 711 7005004
Kellernerstr. 25

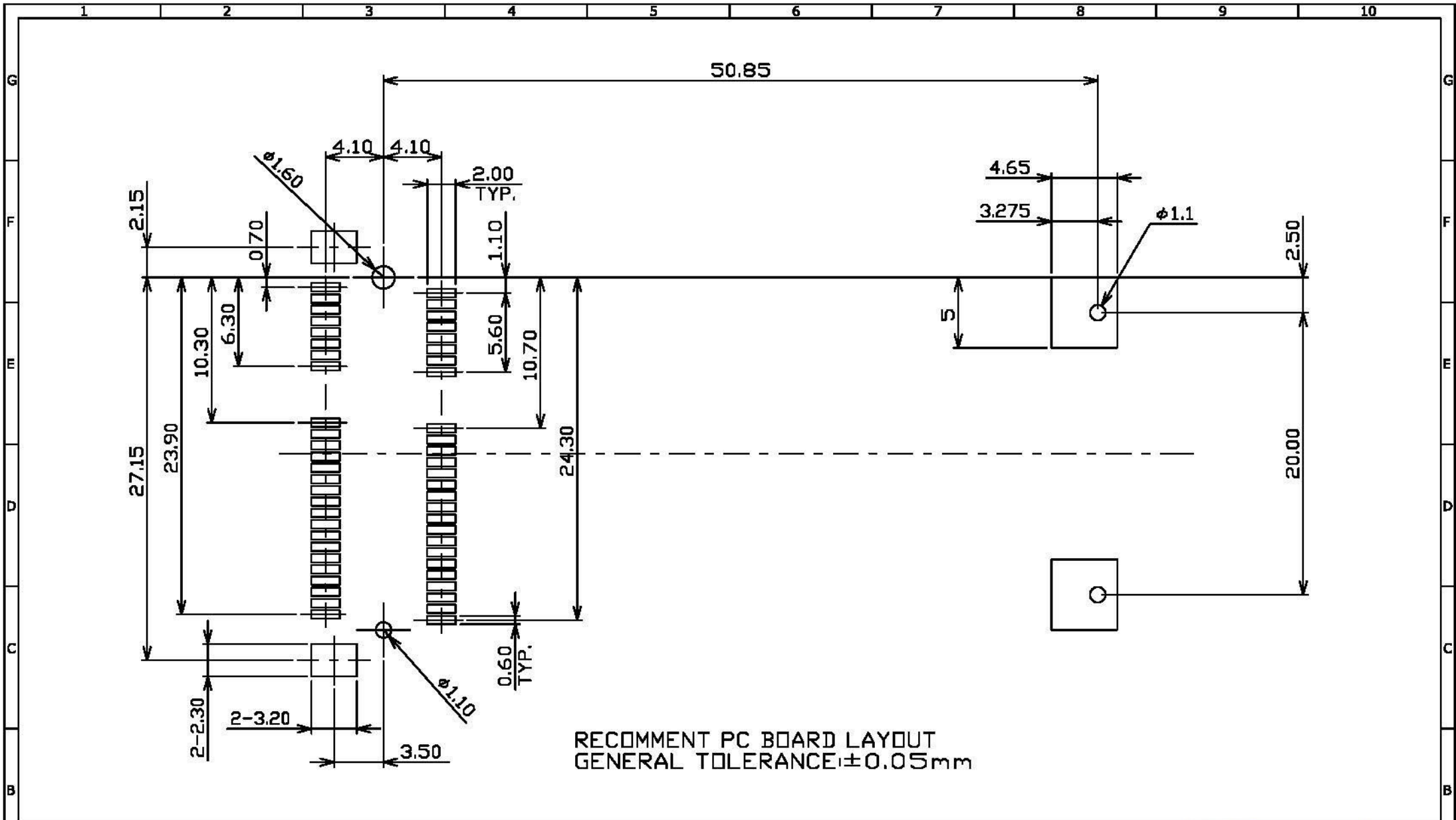
DRAWN NAME:
Mini PCI Express Latch Packing

PRODUCT NO.: 119A-XXLATCH

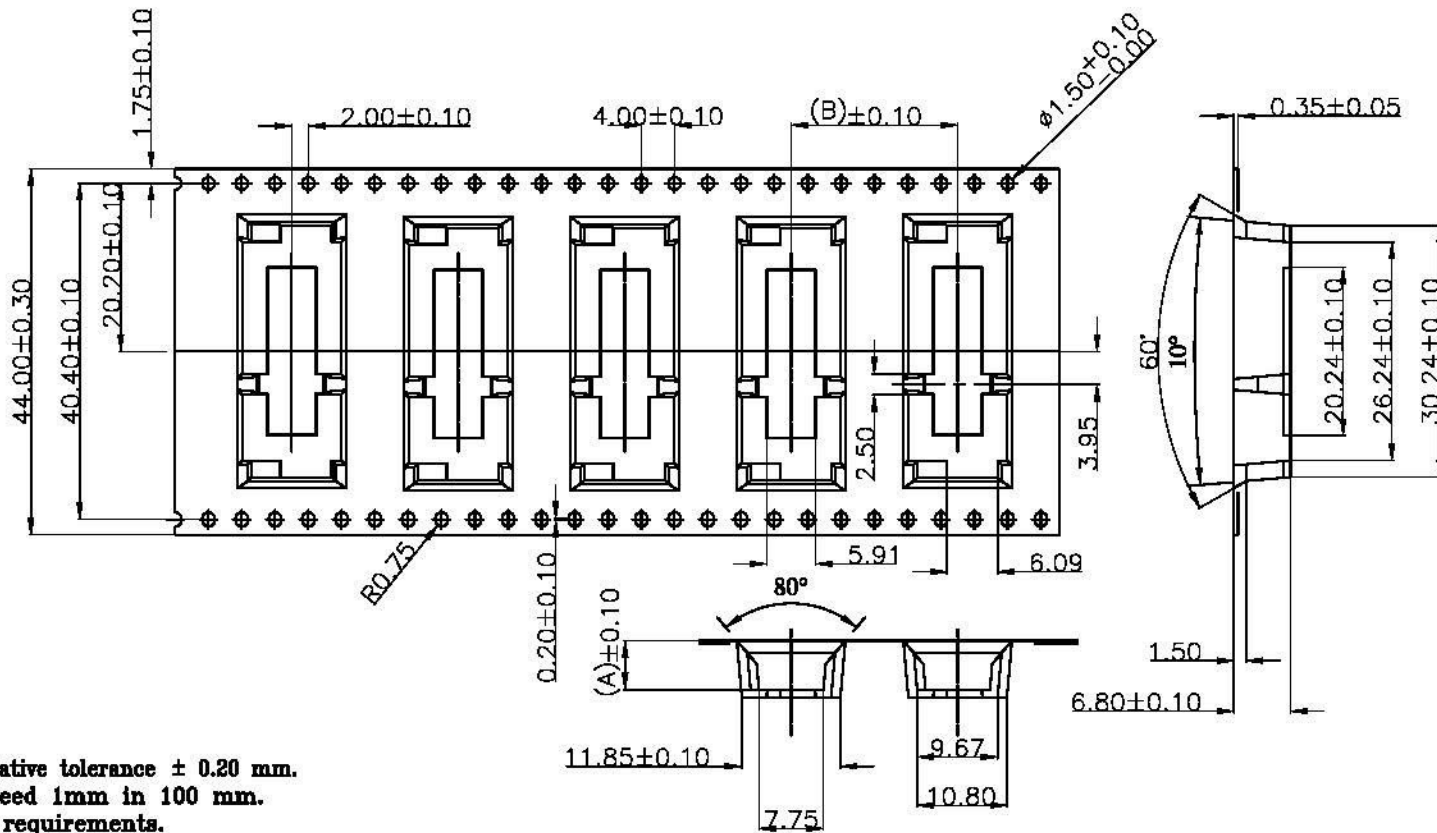
FILE NAME: 119A-XXLATCH_D_1

▲ Revise:
▲ Revise:
▲ Revise:

SIZE A4
REV. 1.0



REV.	DESCRIPTION	DATE	REV.	DESCRIPTION	DATE	UNLESS OTHERWISE SPECIFIED TOLERANCE			All Connectors				
						ANGLES	ANG.	±5°	www.allconnectors.de Tel: 0049 711 308920 20704 Flörsbald - Germany				
						LINEAR	0.0	±0.25				info: @allconnectors.de Fax: 0049 711 308930 September 2015	
							0.00	±0.20					
						SCALE	AS SHOWN	UNIT: mm	DRAWN NAME: Mini PCI Express Socket H:5.6mm PRODUCT NO.: 119A-56A00-R04 FILE NAME: 119A-56A00-R04_B_1				
						DRAWN	Willis	2014/01/08					
						CHECKED	Angel	2014/01/08					
						APPROVED	Ken	2014/01/08					
									SIZE A4 REV. 1.0				
									FILE NAME 119A-56A00-R04_B_1				



NOTES:

1. 10 sprocket hole pitch cumulative tolerance ± 0.20 mm.
2. Carrier camber not to exceed 1mm in 100 mm.
3. All scope meet EIA-481-C requirements.
4. Material: Black Anti-static Polystyrene.
5. Thickness: 0.35 ± 0.05 mm.

DIM.	119A-40A00-R02	119A-52A00-R02	119A-56A00-R02	119A-80A00-R02	119A-92A00-R02
A	4.30	5.50	5.90	8.30	9.50
B	16.00	16.00	16.00	16.00	20.00

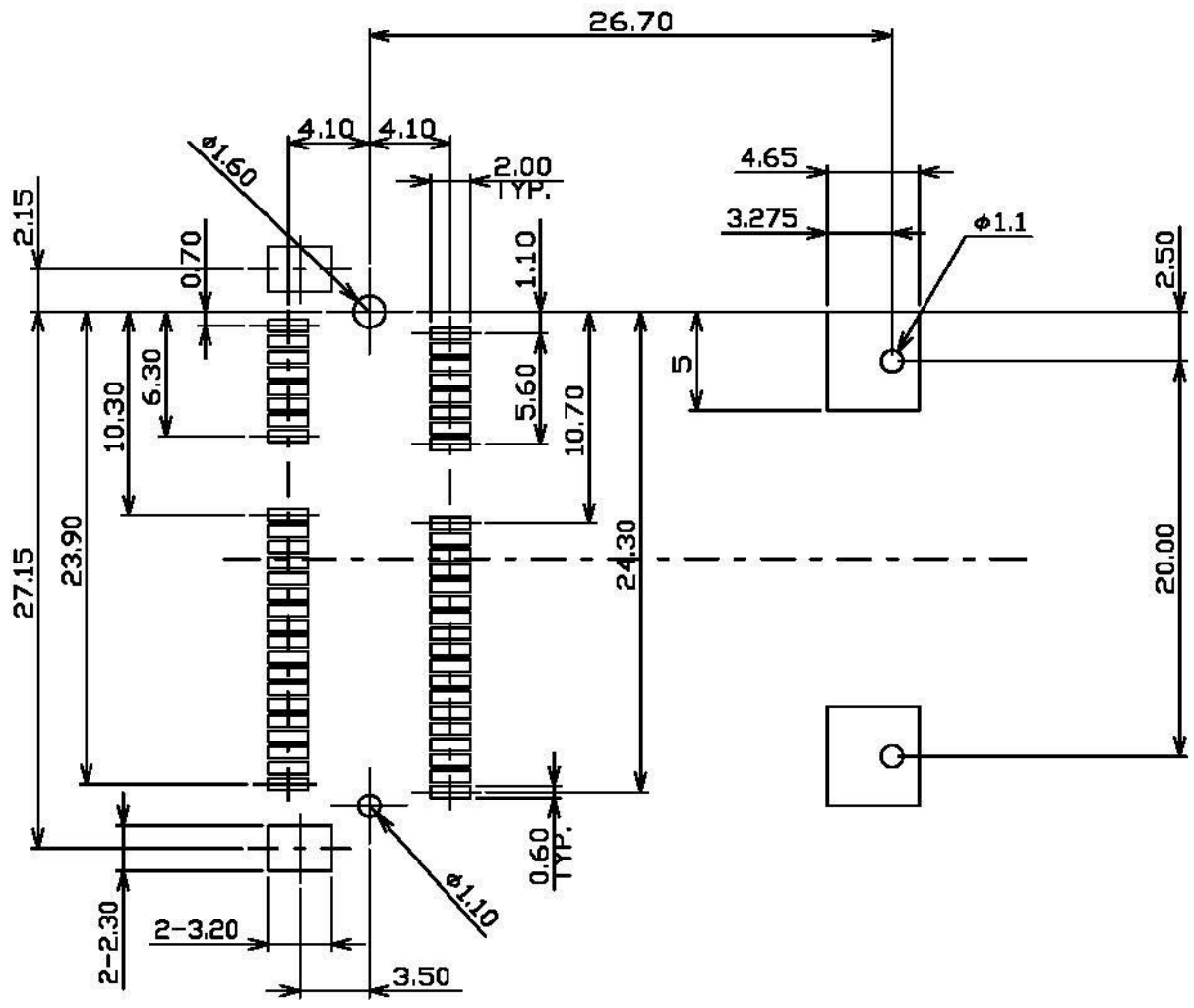
UNLESS OTHERWISE SPECIFIED TOLERANCE		
ANGLES	ANG.	$\pm 5^\circ$
LINEAR	0.	± 0.3
	0.0	± 0.25
	0.00	± 0.20
SCALE	AS SHOWN	UNIT: mm
DRAWN	Willis	2012/08/03
CHECKED	Angel	2012/08/03
APPROVED	Ken	2012/08/03

All Connectors

www.allconnectors.de info@allconnectors.de
 Tel.: 0049-711-7008308 Fax: 0049-711-7008301
 70754 Filderstadt - Germany Kattenbergr. 25

Revise:			
Revise: NOTE 9.2H 300PCS/REEL		2010/04/30	
Revise: NOTE 9.2H 350PCS/REEL		2010/01/21	

REV.	DESCRIPTION	DATE	REV.	DESCRIPTION	DATE	SIZE	REV.	FILE NAME
1						A4	1.0	119A-XXA00-R02_D_4



RECOMMEND PC BOARD LAYOUT
 GENERAL TOLERANCE: $\pm 0.05\text{mm}$

UNLESS OTHERWISE SPECIFIED TOLERANCE		
ANGLES	ANG.	±5°
LINEAR	0	±0.3
	0.0	±0.25
	0.00	±0.20
SCALE	AS SHOWN	UNIT: mm
DRAWN	Willis	2014/01/08
CHECKED	Angel	2014/01/08
APPROVED	Ken	2014/01/08

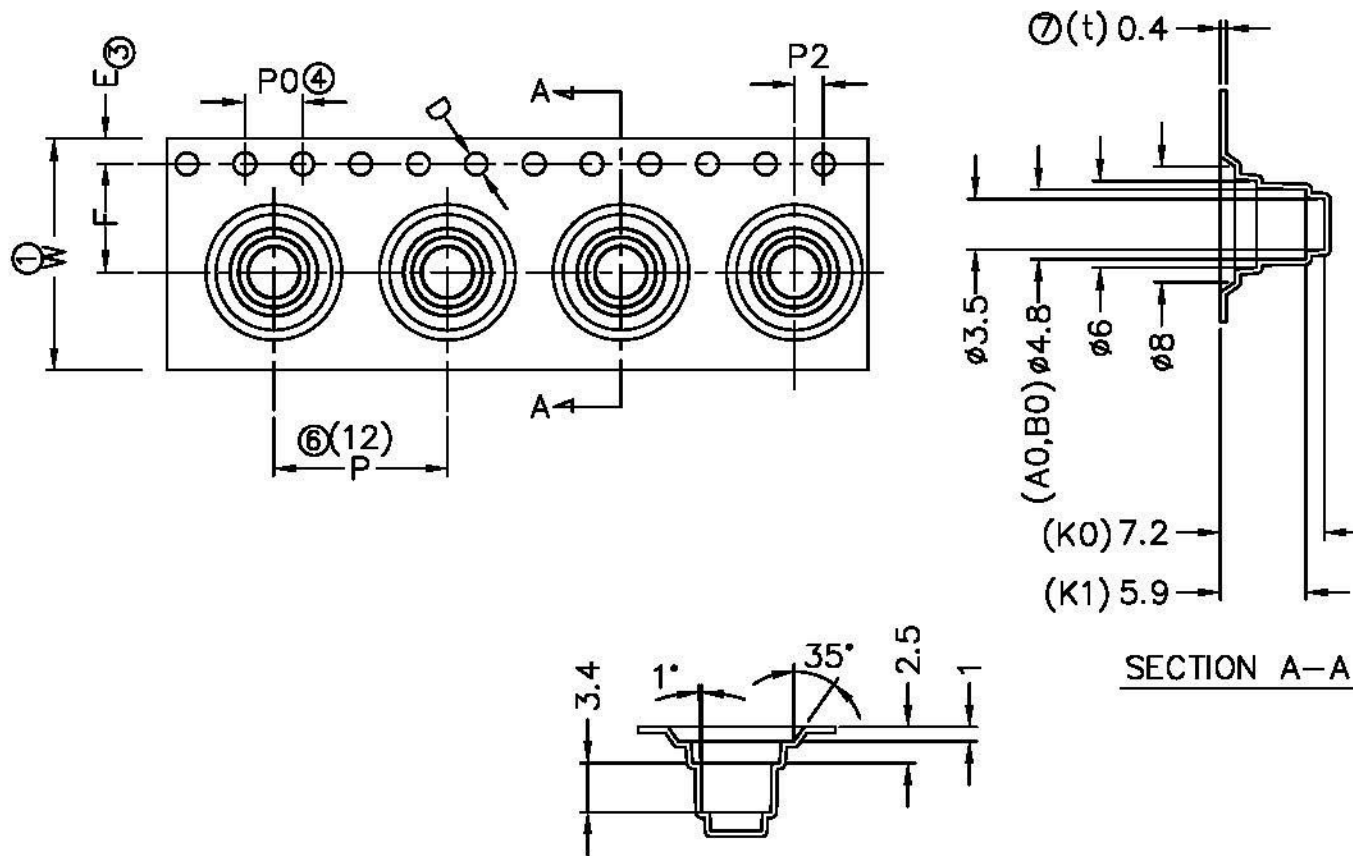
All Connectors

Universal connectors.de
 info@allconnectors.de
 Tel.: 0049 (0)170 200918
 Fax: 0049 (0)170 200994
 70794 Filzschlund, Germany
 Kellernstraße 25

- △ Revise:
- △ Revise:
- △ Revise:

DRAWN NAME:		Mini PCI Express Socket H:5.6mm	
PRODUCT NO.	119A-56A00-R04	FILE NAME	119A-56A00-R04_B_1

REV.	DESCRIPTION	DATE	REV.	DESCRIPTION	DATE	SIZE	REV.
1						A4	1.0



1. Material: Black Anti-static Polystyrene ,T=0.4mm
2. Component loaded per 13" reel : 800 pcs. (Core 4")

ITEM	W	A ₀	B ₀	K ₀	K ₁	P	F	E	D	D ₁	P ₀	P ₂
DIM	16.0 ^{+0.30} _{-0.30}	4.80 ^{+0.20} _{-0.10}	4.80 ^{+0.20} _{-0.10}	7.20 ^{+0.20} _{-0.10}	5.90 ^{+0.20} _{-0.10}	12.0 ^{+0.10} _{-0.10}	7.50 ^{+0.10} _{-0.10}	1.75 ^{+0.10} _{-0.10}	1.50 ^{+0.10} _{-0.00}	0.00 ^{+0.25} _{-0.00}	4.00 ^{+0.10} _{-0.10}	2.00 ^{+0.10} _{-0.10}

UNLESS OTHERWISE SPECIFIED TOLERANCE		
ANGLES	ANG.	±5°
LINEAR	0.	±0.3
	0.00	±0.25
SCALE	AS SHOWN	UNIT: mm
DRAWN	Willis	2012/12/10
CHECKED	Angel	2012/12/10
APPROVED	Ken	2012/12/10

All Connectors
 www.allconnectors.com info@allconnectors.com
 TEL: (049) 211 200900 Fax: (049) 211 200904
 39724-Willersdorf - Germany Seite 1 von 13

DRAWN NAME: Mini PCI Express Stand Off

PRODUCT NO.: 119A-NUT-80-R02

FILE NAME: 119A-NUT-80-R02_D_2

Revise:

REV.	DESCRIPTION	DATE	REV.	DESCRIPTION	DATE	SIZE	REV.
1			4			A4	1.0