

SWITCH CIRCUIT

MATERIAL AND FINISH AS BELOW

WHEN CARD IS EJECTED

WHEN CARD IS INSERTED

A	Housing	LCP UL94V-0, Black	E	
B	Contact	Phosphor Bronze C5210, Contact Area:Gold Flash Over Nickel	F	
C	Holddown	Brass C2680, Tin Plated	G	
D			H	

SPECIFICATION:

1. ELECTRICAL

- 1.1 Current Rating: 0.5A per pin
- 1.2 Voltage Rating: 50V DC
- 1.3 Contact Resistance: 55mΩ Max
- 1.4 Insulation Resistance: 500MΩ Min
- 1.5 Dielectric Withstanding Voltage: 300VAC

2. MECHANICAL

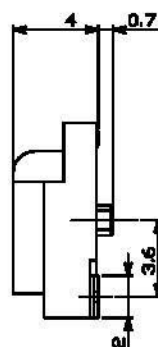
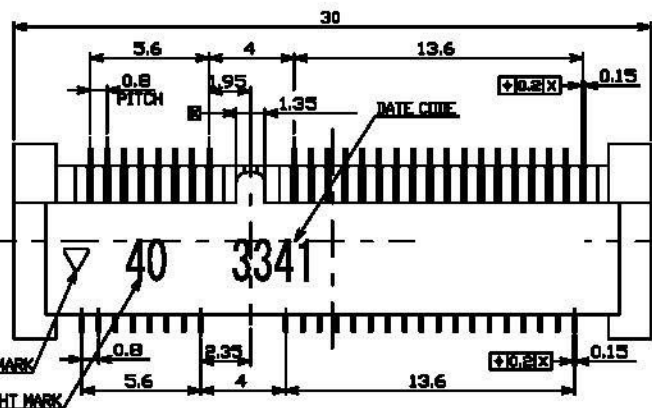
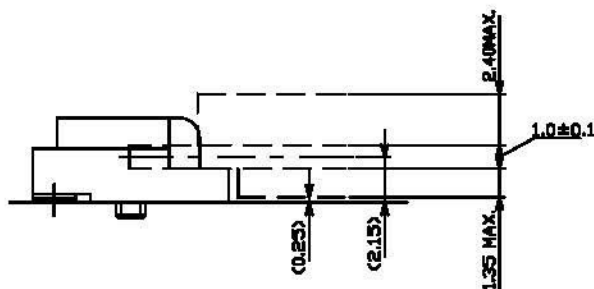
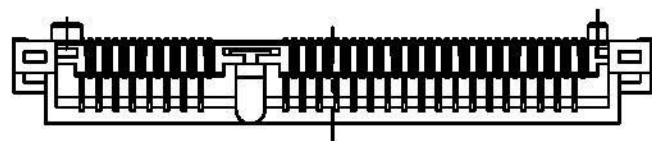
- 2.1 Durability: 100 Cycle
- 2.2 Insertion Force: 2.3Kgf max.
- 2.3 Extraction Force: 2.3Kgf max.

3. ENVIRONMENTAL

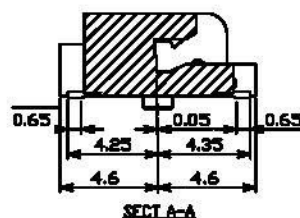
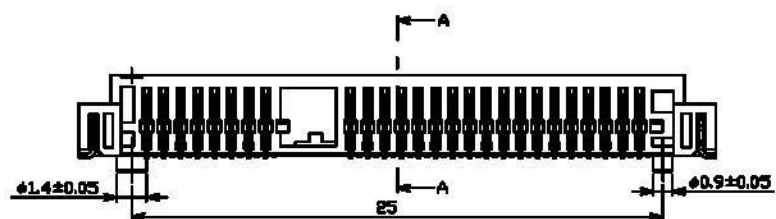
- 3.1 Operating temperature range: -40°C~+85°C
- 3.2 Storage temperature range: -40°C~+85°C

4. SOLDER ABILITY

- 4.1 Recommended IR Reflow Temperature: 260°C 10Sec



DATE CODE: 3341 (YWW)
 Y: 0 YEAR(2010)
 WW:16 WEEK(01~52)
 D: 3 DAY(01~07)

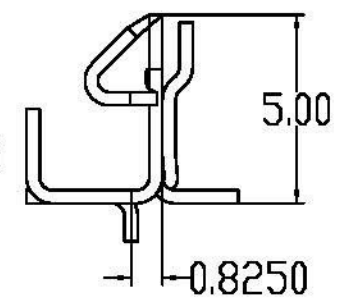
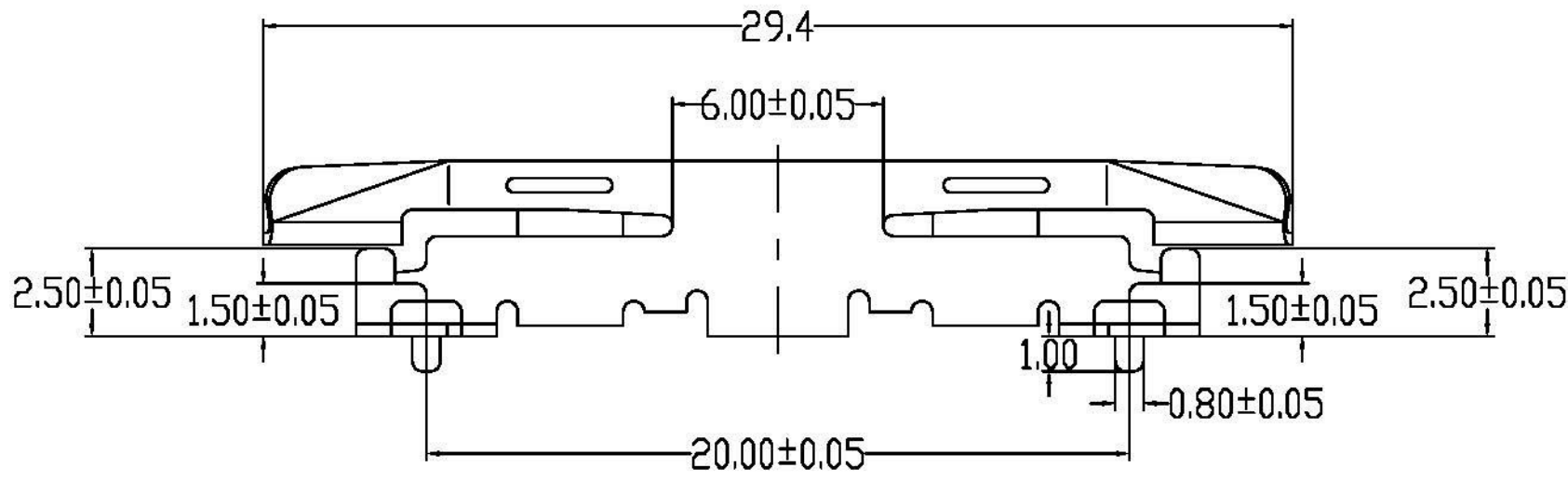
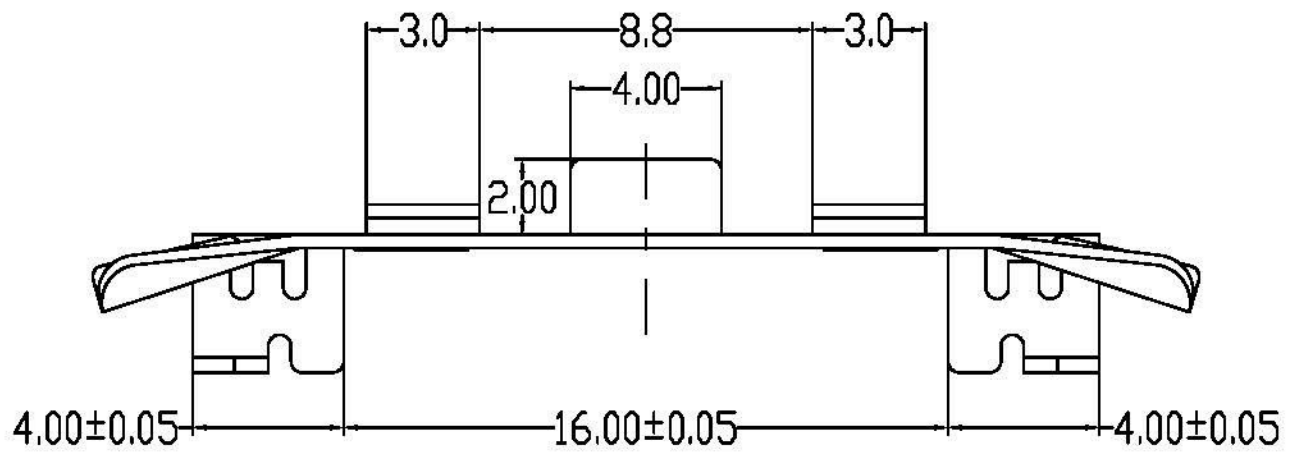


P1	P2	P3	P4	P5	P6	P7	P8	P9	P10	P11	P12
PIN ASSIGNMENT											
119A-40A00-R04 Mini PCI Express Socket, Pitch:0.80mm H:4.0mm, Contact Area:Gold Flash											
PRODUCT NO.						DESCRIPTION					

UNLESS OTHERWISE SPECIFIED TOLERANCE					
ANGLES	ANG.	±SP			
LINEAR	0.	±0.3			
	0.0	±0.25			
	0.00	±0.20			
SCALE	AS SHOWN	UNIT: mm	www.allconnectors.de info@allconnectors.de Tel: 0049 711 702590 20/51 Heerstr.-Germany Kettentr. 23		
DRAWN	Willis	2014/02/10	DRAWN NAME: Mini PCI Express Socket H:4.0mm		
CHECKED	Angel	2014/02/10			
APPROVED	Ken	2014/02/10			
REV. 1.0		FILE NAME	119A-40A00-R04_B_2		

- △ Revise:
- △ Revise:
- △ Revise:

REV.	DESCRIPTION	DATE	REV.	DESCRIPTION	DATE	SIZE	REV.	FILE NAME
1						A4	1.0	119A-40A00-R04_B_2



Material: SUS301 3/4H

UNLESS OTHERWISE SPECIFIED TOLERANCE		
ANGLES	ANG.	±5°
LINEAR	0	±0.3
	0.0	±0.25
	0.00	±0.20
SCALE	AS SHOWN	UNIT: mm
DRAWN	Willis	2014/04/23
CHECKED	Angel	2014/04/23
APPROVED	Ken	2014/04/23

Allconnectors

www.allconnectors.de info@allconnectors.de
 Tel: 0049 711 402508 Fax: 0049 711 402501
 70794 Filderstadt, Germany Kellerstr. 25

- △ Revise:
- △ Revise:
- △ Revise:

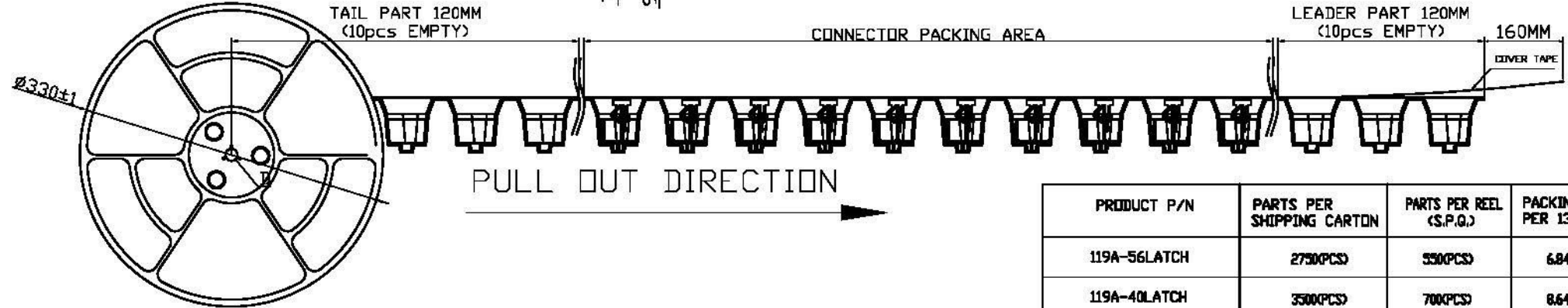
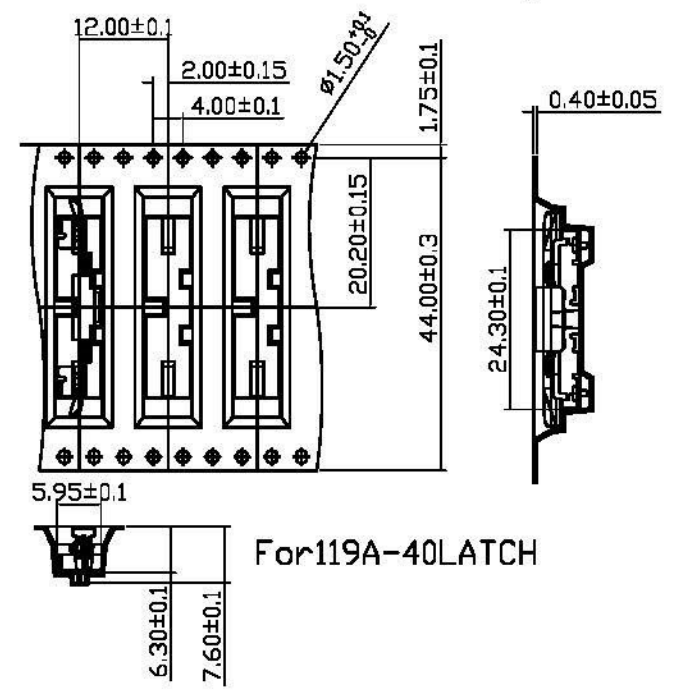
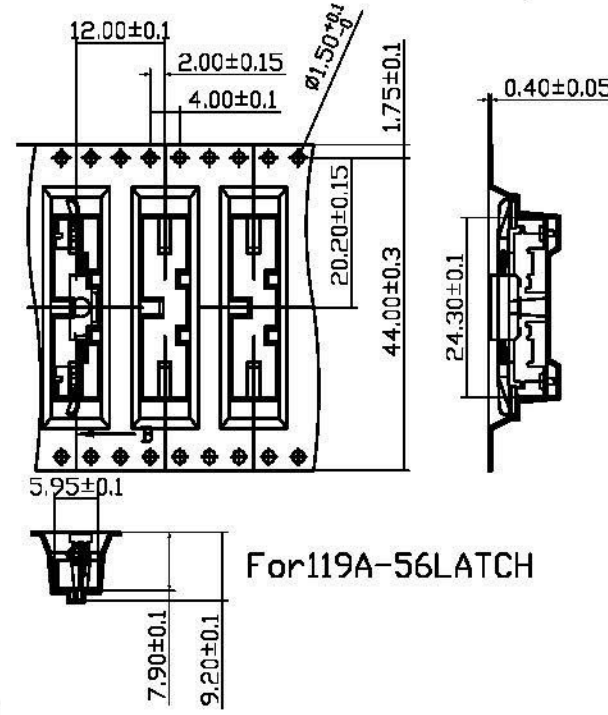
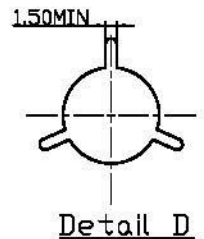
REV.	DESCRIPTION	DATE	REV.	DESCRIPTION	DATE	SIZE	REV.	FILE NAME
1						A4	1.0	119A-40LATCH_B_1

1 2 3 4 5 6 7 8 9 10

G F E D C B A

PULL OUT DIRECTION

PULL OUT DIRECTION



PRODUCT P/N	PARTS PER SHIPPING CARTON	PARTS PER REEL (S.P.Q.)	PACKING LIEGTH PER 13" REEL
119A-56LATCH	2750PCS	550PCS	68400
119A-40LATCH	3500PCS	700PCS	86400

REV.	DESCRIPTION	DATE	REV.	DESCRIPTION	DATE
1			4		
2			5		
3			6		

UNLESS OTHERWISE SPECIFIED TOLERANCE		
ANGLES	ANG.	±5°
	0.	±0.3
LINEAR	0.0	±0.25
	0.00	±0.20
SCALE	AS SHOWN	UNIT: mm
DRAWN	Willis	2014/04/23
CHECKED	Angel	2014/04/23
APPROVED	Ken	2014/04/23

All Connectors

www.allconnectors.de
Tel.: 049 711 700200
All-Offices: Germany
Kettmeistr. 25

info@allconnectors.de
Tel: 049 711 700204
Kettmeistr. 25

DRAWN NAME:
Mini PCI Express Latch Packing

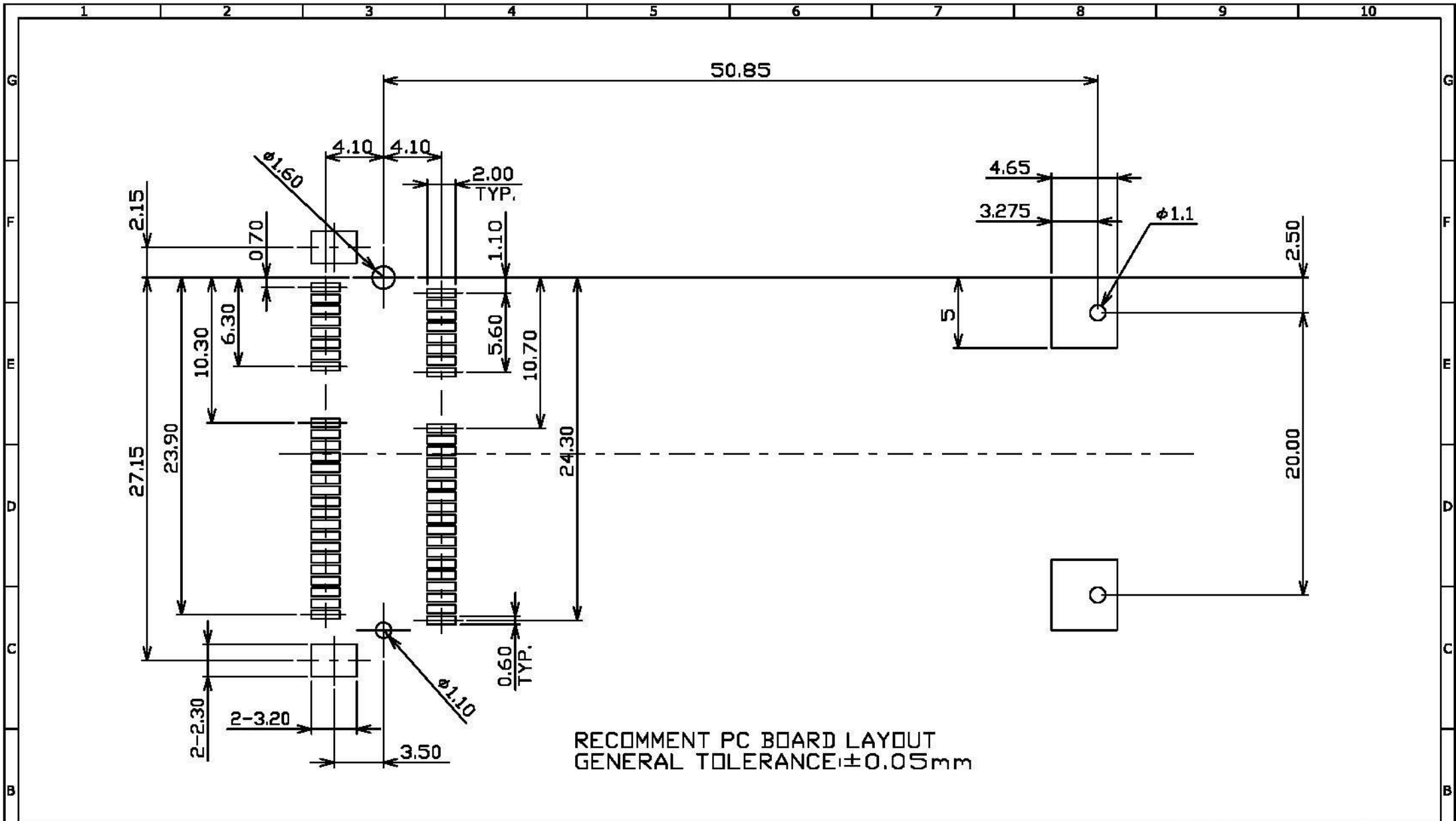
PRODUCT NO.: 119A-XXLATCH

FILE NAME: 119A-XXLATCH_D_1

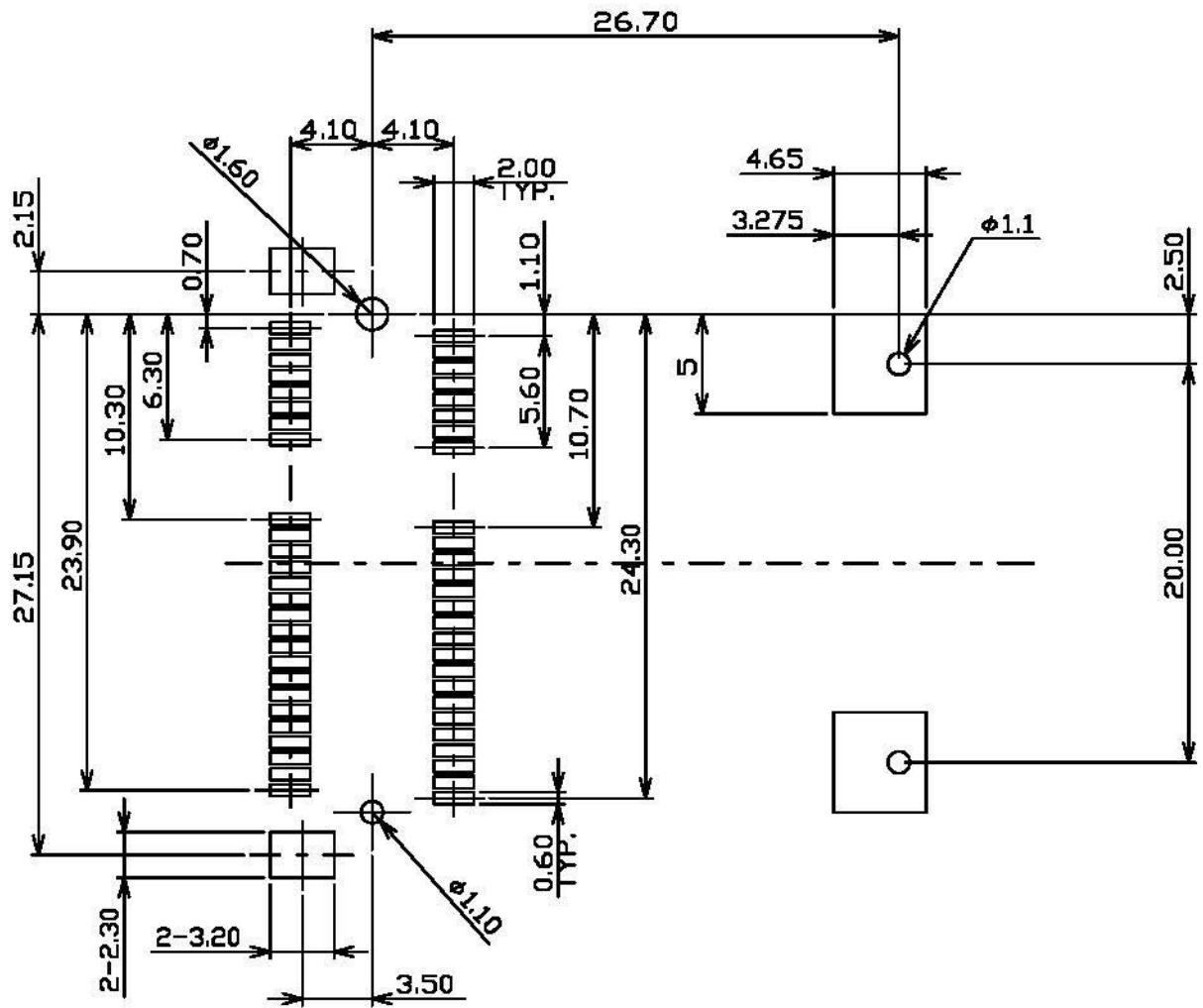
SIZE A4 REV. 1.0

- △ Revise:
- △ Revise:
- △ Revise:

1 2 3 4 5 6 7 8 9 10



REV.	DESCRIPTION	DATE	REV.	DESCRIPTION	DATE	UNLESS OTHERWISE SPECIFIED TOLERANCE			All Connectors	
						ANGLES	ANG.	±5°	www.allconnectors.de Tel: 0049 211 400048 70794 Filderstadt, Germany	Info@allconnectors.de Fax: 0049 211 400041 Kollmussstr. 25
					LINEAR	0.	±0.25			
						0.00	±0.20			
						SCALE	AS SHOWN	UNIT: mm	DRAWN NAME: Mini PCI Express Socket H:4.0mm	
▲	Revise:					DRAWN	Willis	2014/02/10	PRODUCT NO. 119A-40A00-R04	
▲	Revise:					CHECKED	Angel	2014/02/10	FILE NAME 119A-40A00-R04_B_2	
▲	Revise:					APPROVED	Ken	2014/02/10		
							SIZE	A4	REV.	1.0



RECOMMEND PC BOARD LAYOUT
GENERAL TOLERANCE: $\pm 0.05\text{mm}$

UNLESS OTHERWISE SPECIFIED TOLERANCE		
ANGLES	ANG.	$\pm 5^\circ$
	0.	± 0.3
LINEAR	0.0	± 0.25
	0.00	± 0.20
SCALE	AS SHOWN	UNIT: mm
DRAWN	Willis	2014/02/10
CHECKED	Angel	2014/02/10
APPROVED	Ken	2014/02/10

All Connectors

www.allconnectors.de
Tel.: 0049 711 7002500
All 241 Iloerstein - Germany

info@allconnectors.de
Fax: 0049 711 7006504
Kettenstr. 25

- △ Revise:
- △ Revise:
- △ Revise:

DRAWN NAME:
Mini PCI Express Socket H:4.0mm

PRODUCT NO. 119A-40A00-R04

FILE NAME 119A-40A00-R04_B_2

REV.	DESCRIPTION	DATE	REV.	DESCRIPTION	DATE	SIZE	REV.	FILE NAME
1						A4	1.0	119A-40A00-R04_B_2

