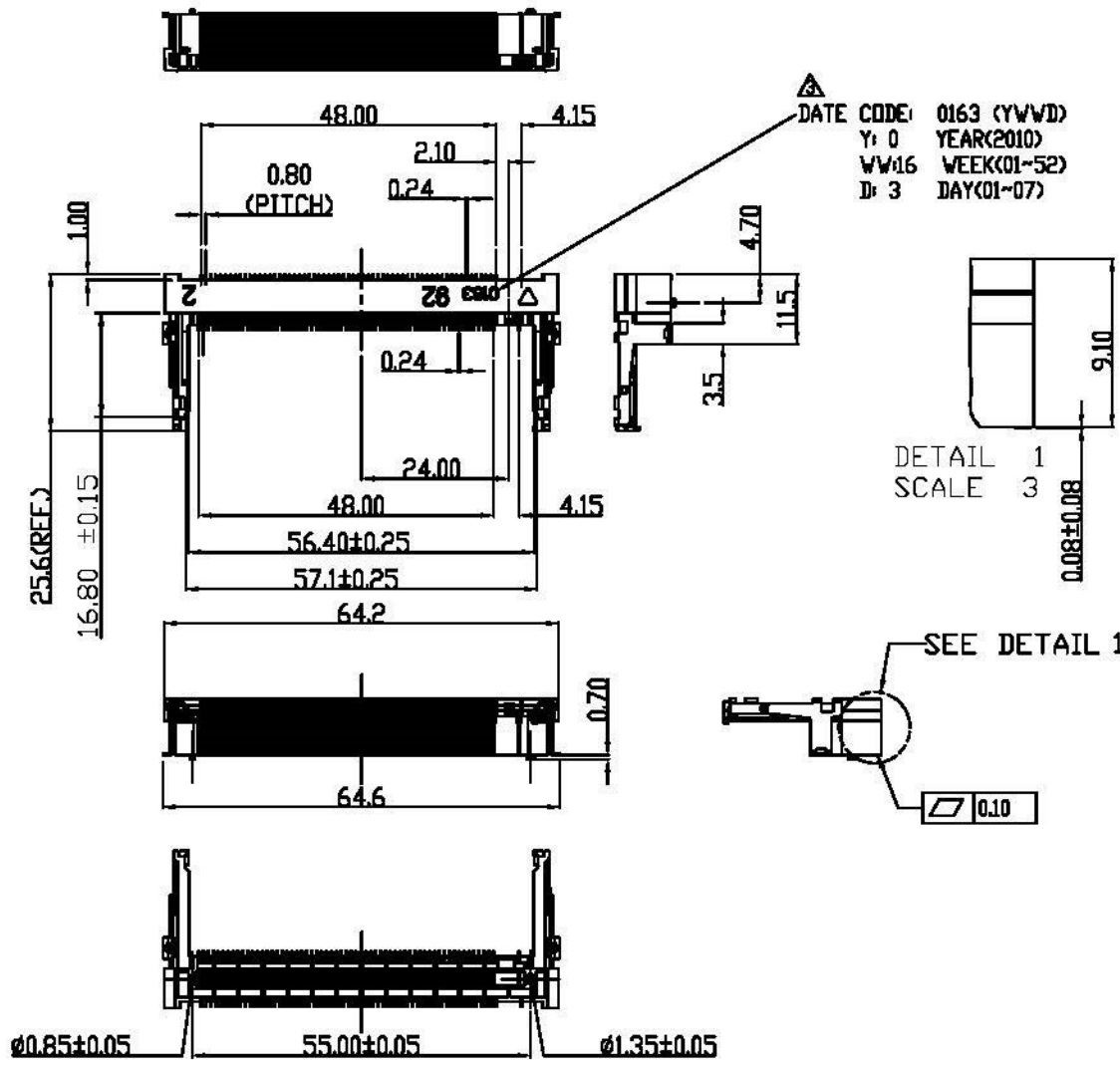


PRODUCT NO.	ITEM	PART NAME	QTY	MATERIAL	PLATING
114B-92B00-R02	1	BODY	1	LCP	
	3	CONTACT	124	PHOSPHOR BRONZE	GOLD 3u'
	4	LATCH	2	STAINLESS	

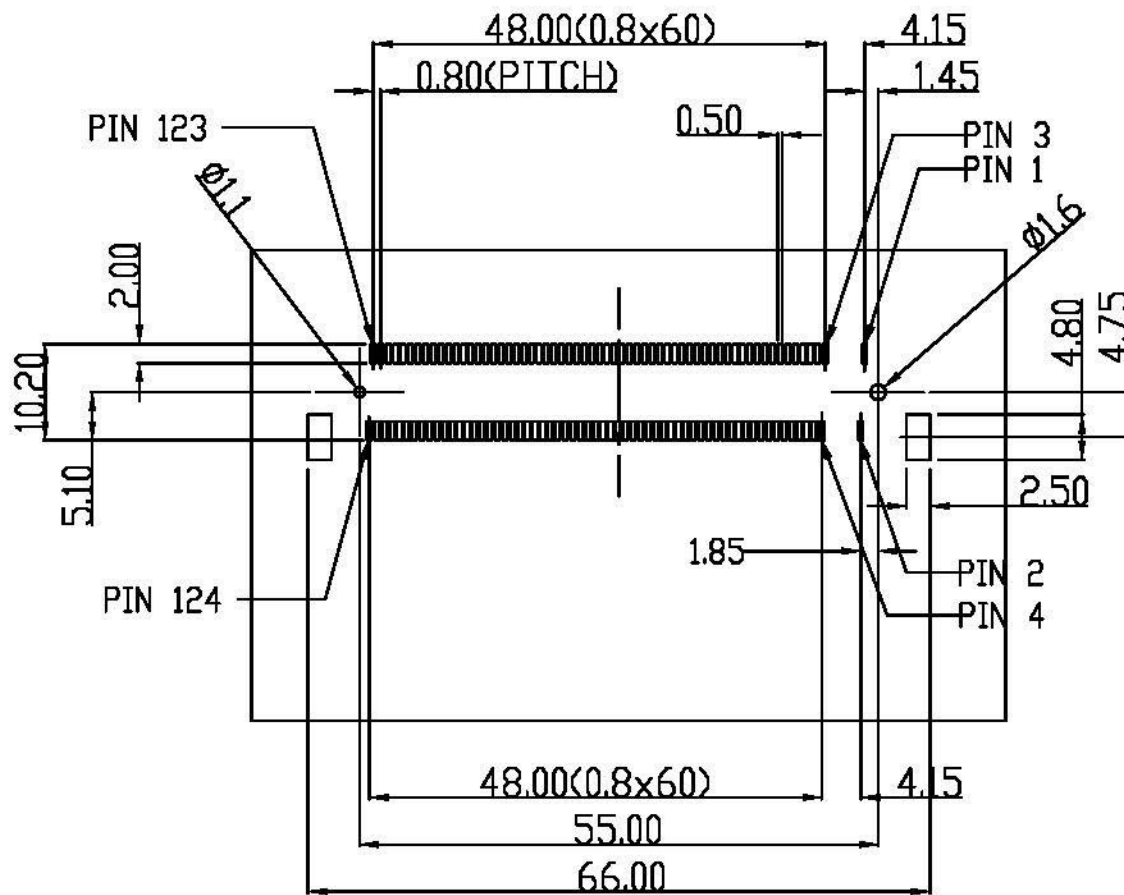


Plastic Body : LCP, Color Black.
 Contact: Phosphor Bronze Alloy (C5191R-H)
 Contact area: Gold 3 micro inches
 Solder area: Matte Tin
 All under-plated Ductile Nickel 50 micro inches (Min.)
 Latch : SUS304R-1/2H, Matte Tin Plated
 Contact Resistance: 30 mΩ (Max)
 Insulation Resistance: 500 MΩ (Max.)
 Dielectric Withstanding Voltage:
 Mate connectors; apply 250V AC at 60 Hz(rms.)
 Contact Normal Force: 50 gf per pin (Min.)
 soldering heat: 260°C
 Rating Voltage: 25V AC
 Rating Current: 0.3A(Max.)/(1PIN)
 Operating Temperature: -40°C to +90°C
 Storage Temperature: -40°C to +90°C

114B-92 B 0 0-R02
 1 2 3 4

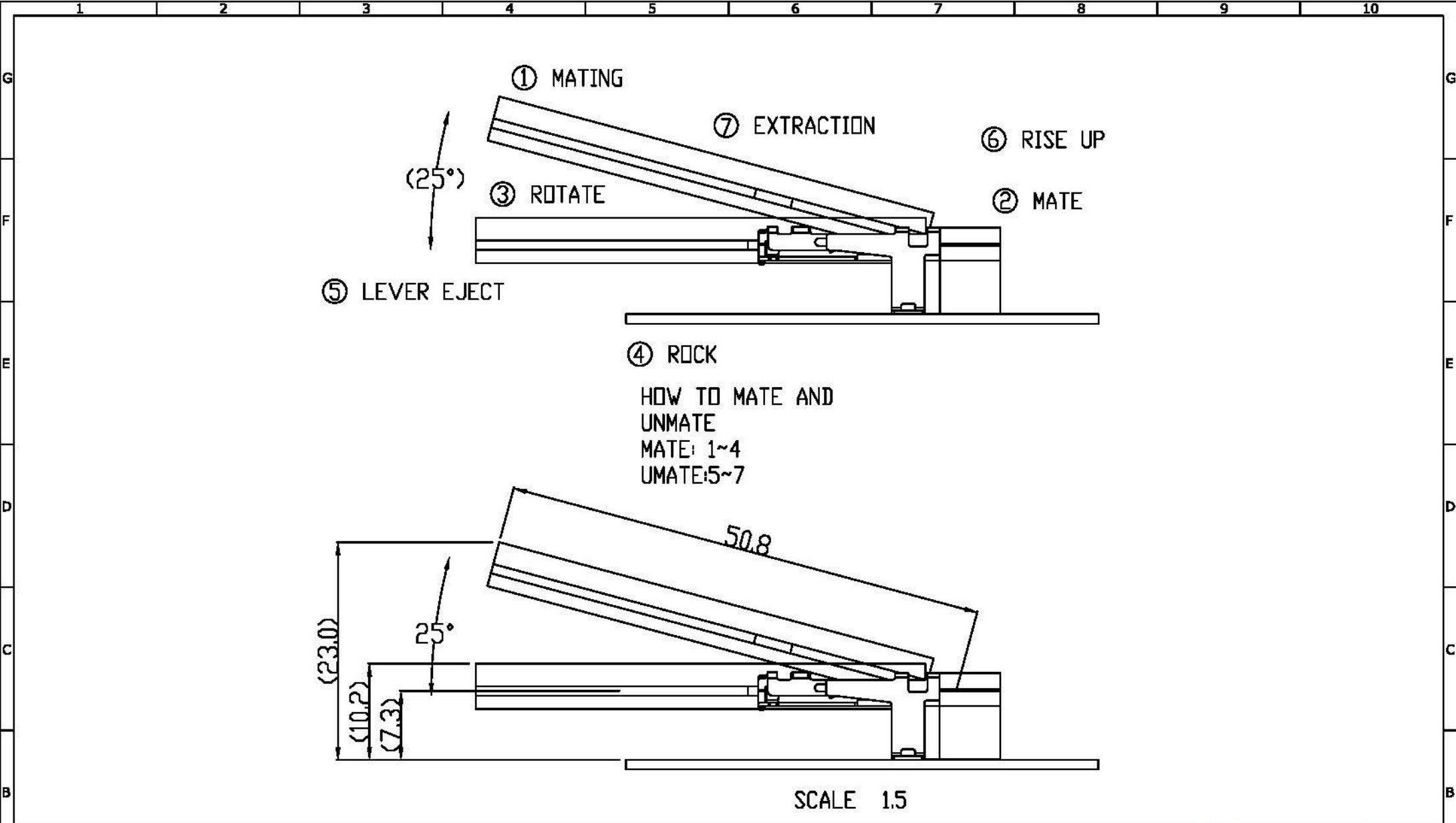
- Stand off
s/o:9.2mm
- Contact Plating
Bi3u' Gold Plating
- Color
0:Black
- RoHS

				UNLESS OTHERWISE SPECIFIED TOLERANCE			All Connectors	
				ANGLES	ANG.	+/-		
				LINEAR	0.0	±0.25		
					0.00	±0.20		
				SCALE	AS SHOWN	UNIT: mm		
				DRAWN	Willis	2012/08/03	DRAWN NAME:	
				CHECKED	Angel	2012/08/03	Mini PCI Socket H:9.2, Metal Grounding Type	
				APPROVED	Ken	2012/08/03	PRODUCT NO.	114B-92B00-R02
REV.	DESCRIPTION	DATE	REV.	DESCRIPTION	DATE	SIZE	REV.	FILE NAME
1						A4	1.0	114B-92B00-R02_B_5

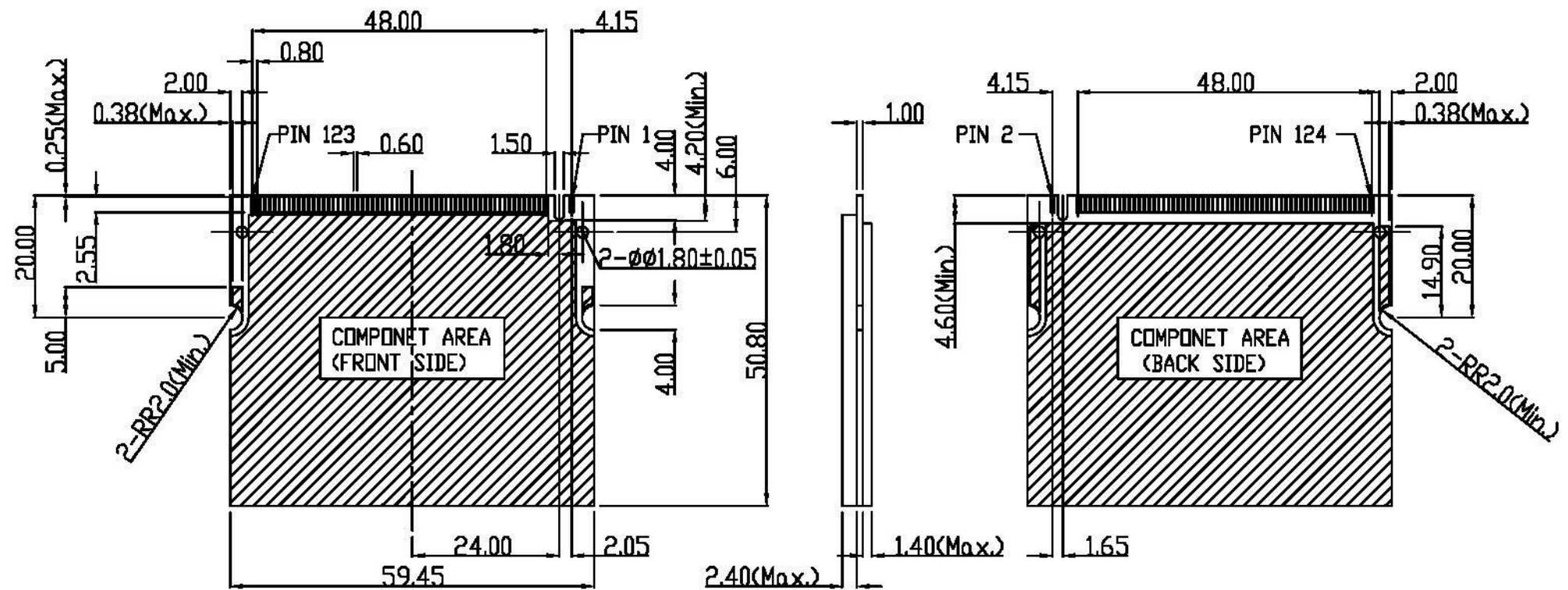


RECOMMEND PC BOARD LAYOUT

				UNLESS OTHERWISE SPECIFIED TOLERANCE			All Connectors	
				ANGLES	ANG.	±FP	www.allconnectors.de Tel.: 0049 711 7099501 70724 Rilderstadt - Germany info@allconnectors.de Fax: 0049 711 7099304 fettenstr. 25	
				LINEAR	0.0	±0.25		
					0.00	±0.20		
▲ Revise: Card Side, Card Mate and Unmate 2010/08/06				SCALE	AS SHOWN	UNIT: mm	DRAWN NAME: Mini PCI Socket H:9.2, Metal Grounding Type PRODUCT NO.: 114B-92B00-R02 FILE NAME: 114B-92B00-R02_B_5	
▲ Revise: Date Code 2010/04/30				DRAWN	Willis	2012/08/03		
▲ Revise: Latch Matte Tin Plated 2009/09/28				CHECKED	Angel	2012/08/03		
▲ Revise: Layout Peg 2009/07/06				APPROVED	Ken	2012/08/03		
REV.	DESCRIPTION	DATE	REV.	DESCRIPTION	DATE	SIZE	REV.	FILE NAME
1						A4	1.0	

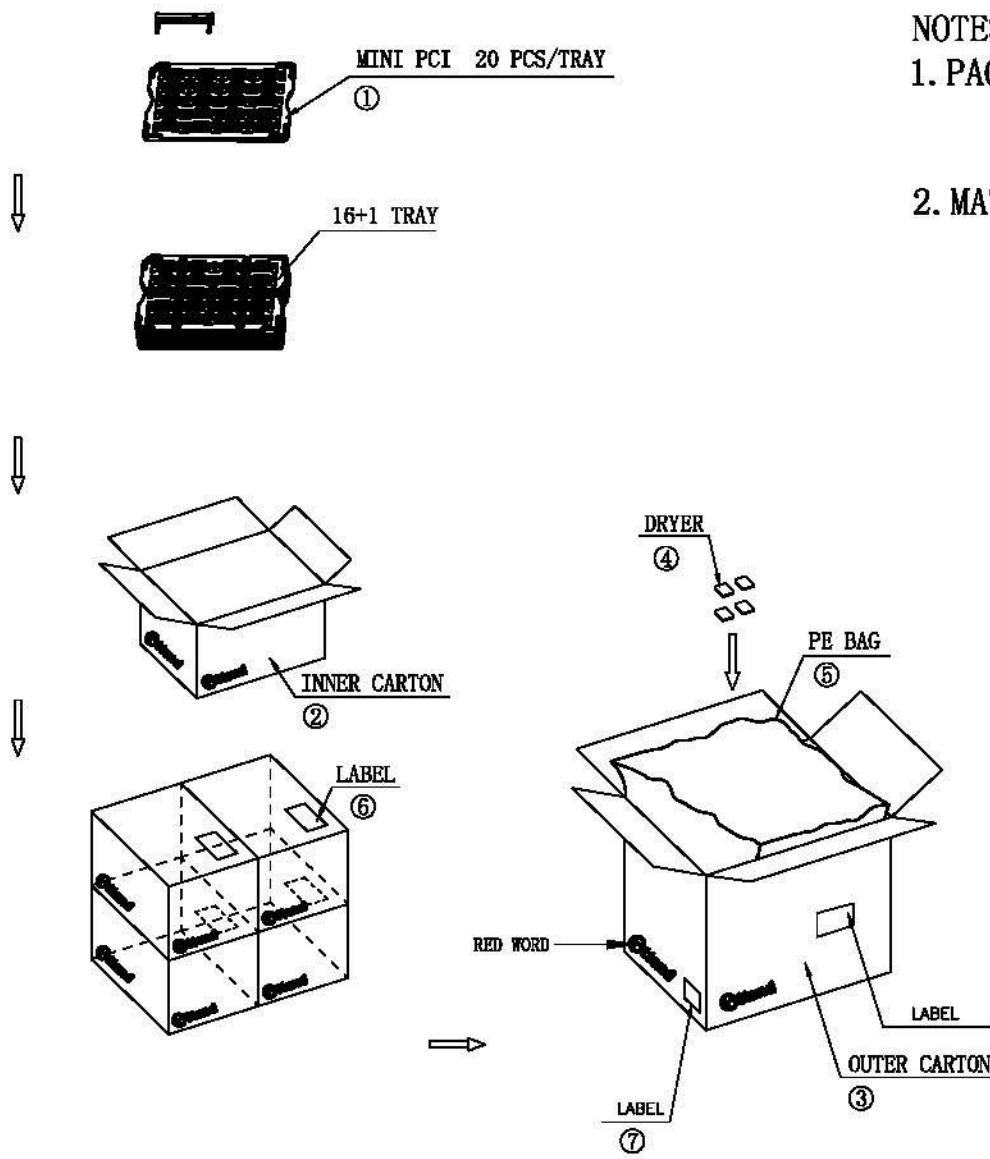


				UNLESS OTHERWISE SPECIFIED TOLERANCE			All Connectors				
				ANGLES	ANG.	±SP	www.allconnectors.de Tel: +0049 711 7002903 20794 Filderstadt - Germany info@allconnectors.de Fax: +0049 711 7002904 Kettenerstr. 25				
				LINEAR	0.0	±0.25					
					0.00	±0.20					
⚠ Revise: Card Side, Card Mate and Unmate ⚠ Revise: Date Code ⚠ Revise: Latch Matte Tin Plated ⚠ Revise: Layout Peg				2010/08/06			SCALE	AS SHOWN	UNIT: mm	DRAWN NAME:	Mini PCI Socket H:9.2,Metal Grounding Type
				2010/04/30			DRAWN	Willis	2012/08/03	PRODUCT NO.	1148-92B00-R02
				2009/09/28			CHECKED	Angel	2012/08/03	FILE NAME	1148-92B00-R02_B_5
				2009/07/06			APPROVED	Ken	2012/08/03		
REV.	DESCRIPTION	DATE	REV.	DESCRIPTION	DATE	SIZE	REV.	FILE NAME			
1						A4	1.0				



SCALE 1

				UNLESS OTHERWISE SPECIFIED TOLERANCE			All Connectors	
				ANGLES	ANG.	+5P	www.allconnectors.de	
					0	±0.3	Info@allconnectors.de	
				LINEAR	0.0	±0.25	Tel: 0049 201 7005903	
					0.00	±0.20	Fax: 0049 201 7005901	
							70394 Fildesfeld - Germany	
							Kettelestr. 25	
				SCALE	AS SHOWN	UNIT: mm	DRAWN NAME:	
				DRAWN	Willis	2012/08/03	Mini PCI Socket H:9.2,Metal Grounding Type	
				CHECKED	Angel	2012/08/03	PRODUCT NO. 1148-92B00-R02	
				APPROVED	Ken	2012/08/03	FILE NAME 1148-92B00-R02_B_5	
REV.	DESCRIPTION	DATE	REV.	DESCRIPTION	DATE	SIZE	REV.	FILE NAME
1	Revise: Card Side, Card Mate and Unmate	2010/08/06				A4	1.0	
2	Revise: Date Code	2010/04/30						
3	Revise: Latch Matte Tin Plated	2009/09/28						
4	Revise: Layout Peg	2009/07/06						



NOTES:
 1. PACKING STYLE 20 PCS/TRAY
 160 PCS/INNER CARTON
 640 PCS/OUTER CARTON
 2. MATERIAL TRAY:PET

7	LABEL	1	PCS		
6	LABEL	4	PCS		
5	PE BAG	1	PCS		
4	DRYER	4	BAG		
3	OUTER CARTON	1	PCS		
2	INNER CARTON	4	PCS		
1	TRAY	20	32+4	PCS	
		640			
NO.	PACKING NAME	PCS/T	T/CTN.	UNIT	NOTE
		PACKING QTY			

						UNLESS OTHERWISE SPECIFIED TOLERANCE			 www.allconnectors.de info@allconnectors.de Tel: +49 0 89 731 706502 Fax: +49 0 89 731 706501 70784 Fichtenau, Germany Germany 05		
						ANGLES	ANG.	±5°			
						LINER	0.0	±0.3	DRAWN Willis 2012/08/03 CHECKED Angel 2012/08/03 APPROVED Ken 2012/08/03		
						SCALE	AS SHOWN	UNIT: mm			
REV.	DESCRIPTION	DATE	REV.	DESCRIPTION	DATE	SIZE A4 REV. 1.0					
1			4								