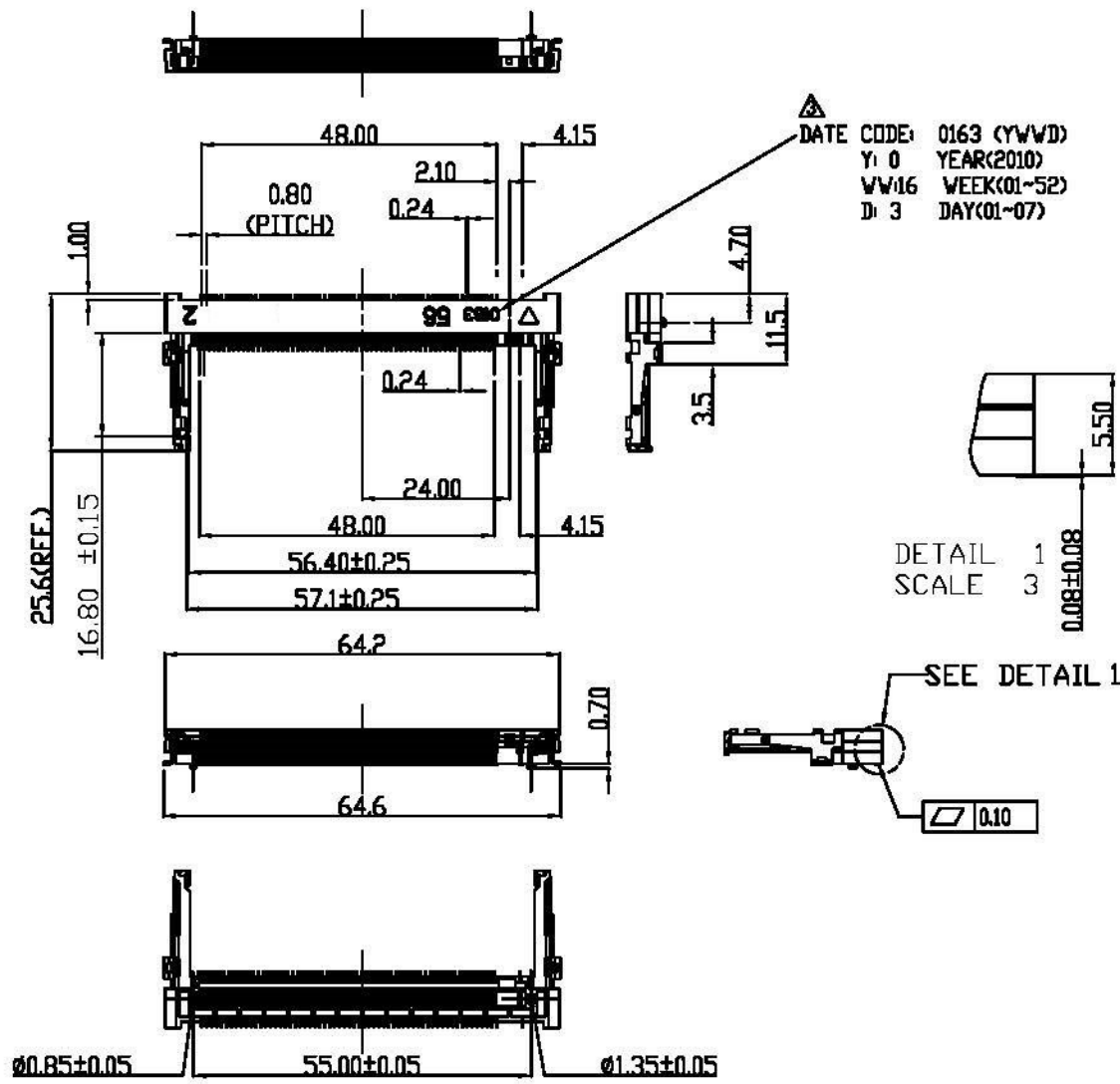


PRODUCT NO.	ITEM	PART NAME	QTY	MATERIAL	PLATING
114B-56B00-R02	1	BODY	1	LCP	
	3	CONTACT	124	PHOSPHOR BRONZE	GOLD 3u"
	4	LATCH	2	STAINLESS	



DATE CODE: 0163 (YWWD)  
 Y: 0 YEAR(2010)  
 WW16 WEEK(01~52)  
 D: 3 DAY(01~07)

Plastic Body : LCP, Color Black.  
 Contact: Phosphor Bronze Alloy (C5191R-H)  
 Contact area: Gold 3 micro inches  
 Solder area: Matte Tin  
 All under-plated Ductile Nickel 50 micro inches (Min.)  
 Latch : SUS304R-1/2H, Matte Tin Plated  
 Contact Resistance: 30 mΩ (Max)  
 Insulation Resistance: 500 MΩ (Max.)  
 Dielectric Withstanding Voltage:  
 Mate connectors; apply 250V AC at 60 Hz(rms.)  
 Contact Normal Force: 50 gf per pin (Min.)  
 soldering heat: 260°C  
 Rating Voltage: 25V AC  
 Rating Current: 0.3A(Max.)/(1PIN)  
 Operating Temperature: -40°C to +90°C  
 Storage Temperature: -40°C to +90°C

114B-56 B 0 0-R02  
 1 2 3 4

- 1.Stand off  
s/o:5.6mm
- 2.Contact Plating  
B:3u" Gold Plating
- 3.Color  
0:Black
- 4.RoHS

REV.	DESCRIPTION	DATE	REV.	DESCRIPTION	DATE	SIZE	REV.	FILE NAME
A	Revise: Date Code	2010/04/30				A4	1.0	114B-56B00-R02
	Revise: Latch Matte Tin Plated	2009/09/28						114B-56B00-R02_B_6
	Revise: Layout Peg	2009/07/06						

UNLESS OTHERWISE SPECIFIED TOLERANCE		
ANGLES	ANG.	+SP
LINEAR	0.	±0.3
	0.0	±0.25
	0.00	±0.20
SCALE	AS SHOWN	UNIT: mm
DRAWN	Willis	2012/08/03
CHECKED	Angel	2012/08/03
APPROVED	Ken	2012/08/03

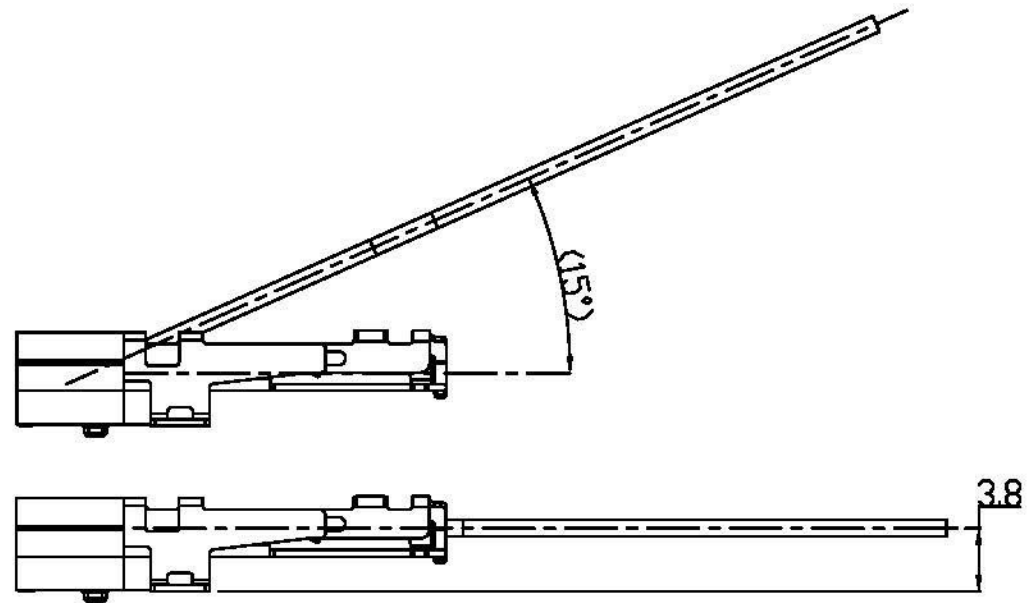
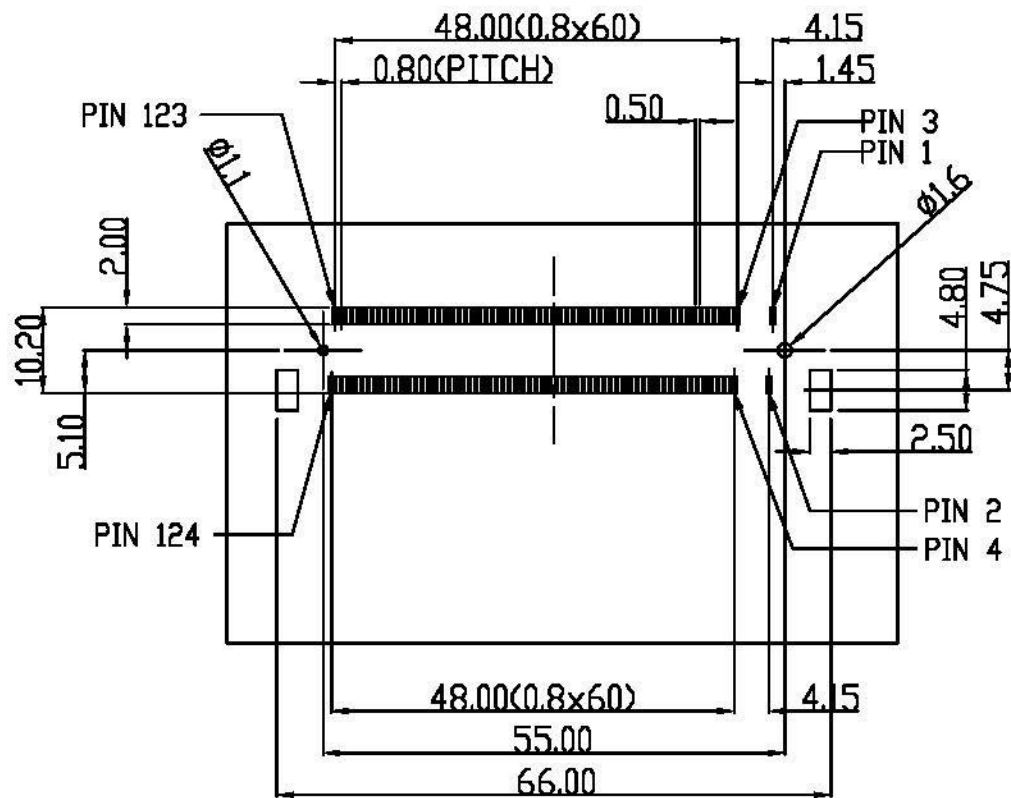
**All Connectors**

www.allconnectors.de  
 Tel: (045 71) 20290  
 70384 Pöhlstedt - Germany

info@allconnectors.de  
 Fax: (045 71) 702911  
 Kallmetstr. 23

DRAWN NAME:  
Mini PCI Socket H:5,6,Metal Grounding Type

PRODUCT NO. 114B-56B00-R02  
 FILE NAME 114B-56B00-R02\_B\_6



RECOMMEND PC BOARD LAYOUT

				UNLESS OTHERWISE SPECIFIED TOLERANCE			All Connectors	
				ANGLES	ANG.	±SP	www.allconnectors.de info@allconnectors.de	
				LINEAR	0.0	±0.25	Tel: 0049 711 7002300 Fax: 0049 711 7002840	
				SCALE	AS SHOWN	UNIT: mm	20704 Tillerheist - Germany kettenenstr. 25	
▲	Revise: Date Code	2010/04/30		DRAWN	Willis	2012/08/03	DRAWN NAME: Mini PCI Socket H:5,6,Metal Grounding Type	
▲	Revise: Latch Matte Tin Plated	2009/09/28		CHECKED	Angel	2012/08/03	PRODUCT NO.	114B-56B00-R02
▲	Revise: Layout Peg	2009/07/06		APPROVED	Ken	2012/08/03	FILE NAME	114B-56B00-R02_B_6
REV.	DESCRIPTION	DATE	REV.	DESCRIPTION	DATE	SIZE	REV.	FILE NAME
1						A4	1.0	