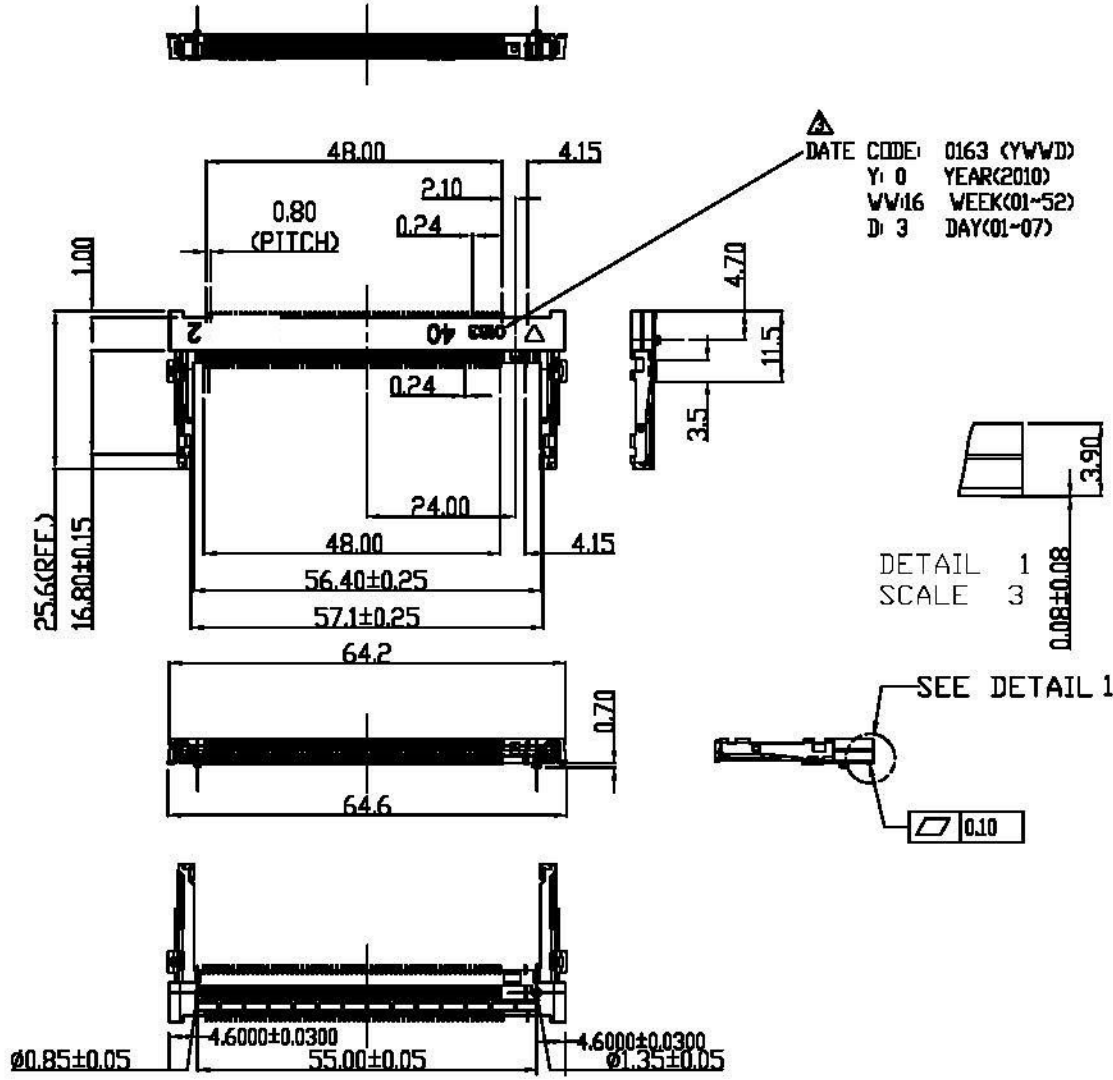


PRODUCT NO.	ITEM	PART NAME	QTY	MATERIAL	PLATING
114B-40B00-R02	1	BODY	1	LCP	
	3	CONTACT	124	PHOSPHOR BRONZE	GOLD 3u"
	4	LATCH	2	STAINLESS	



Plastic Body : LCP, Color Black.  
 Contact: Phosphor Bronze Alloy (C5191R-H)  
 Contact area: Gold 3 micro inches  
 Solder area: Matte Tin  
 All under-plated Ductile Nickel 50 micro inches (Min.)  
 Latch : SUS304R-1/2H, Matte Tin Plated  
 Contact Resistance: 30 mΩ (Max)  
 Insulation Resistance: 500 MΩ (Max.)  
 Dielectric Withstanding Voltage:  
 Mate connectors; apply 250V AC at 60 Hz(rms.)  
 Contact Normal Force: 50 gf per pin (Min.)  
 soldering heat: 260°C  
 Rating Voltage: 25V AC  
 Rating Current: 0.3A(Max.)/(1PIN)  
 Operating Temperature: -40°C to +90°C  
 Storage Temperature: -40°C to +90°C

114B-40 B 0 0-R02  
 1 2 3 4

- Stand off  
s/±4.0mm
- Contact Plating  
B3u' Gold Plating
- Color  
0:Black
- RoHS

UNLESS OTHERWISE SPECIFIED TOLERANCE

ANGLES	ANG.	±SP
LINEAR	0.0	±0.25
	0.00	±0.20
SCALE	AS SHOWN	UNIT: mm
DRAWN	Willis	2012/08/03
CHECKED	Angel	2012/08/03
APPROVED	Ken	2012/08/03

**All Connectors**

www.allconnectors.de  
 info@allconnectors.de  
 Tel: (040) 781709500  
 Fax: (040) 781709504  
 70794 Filderstadt, Germany  
 Kottmerich, 35

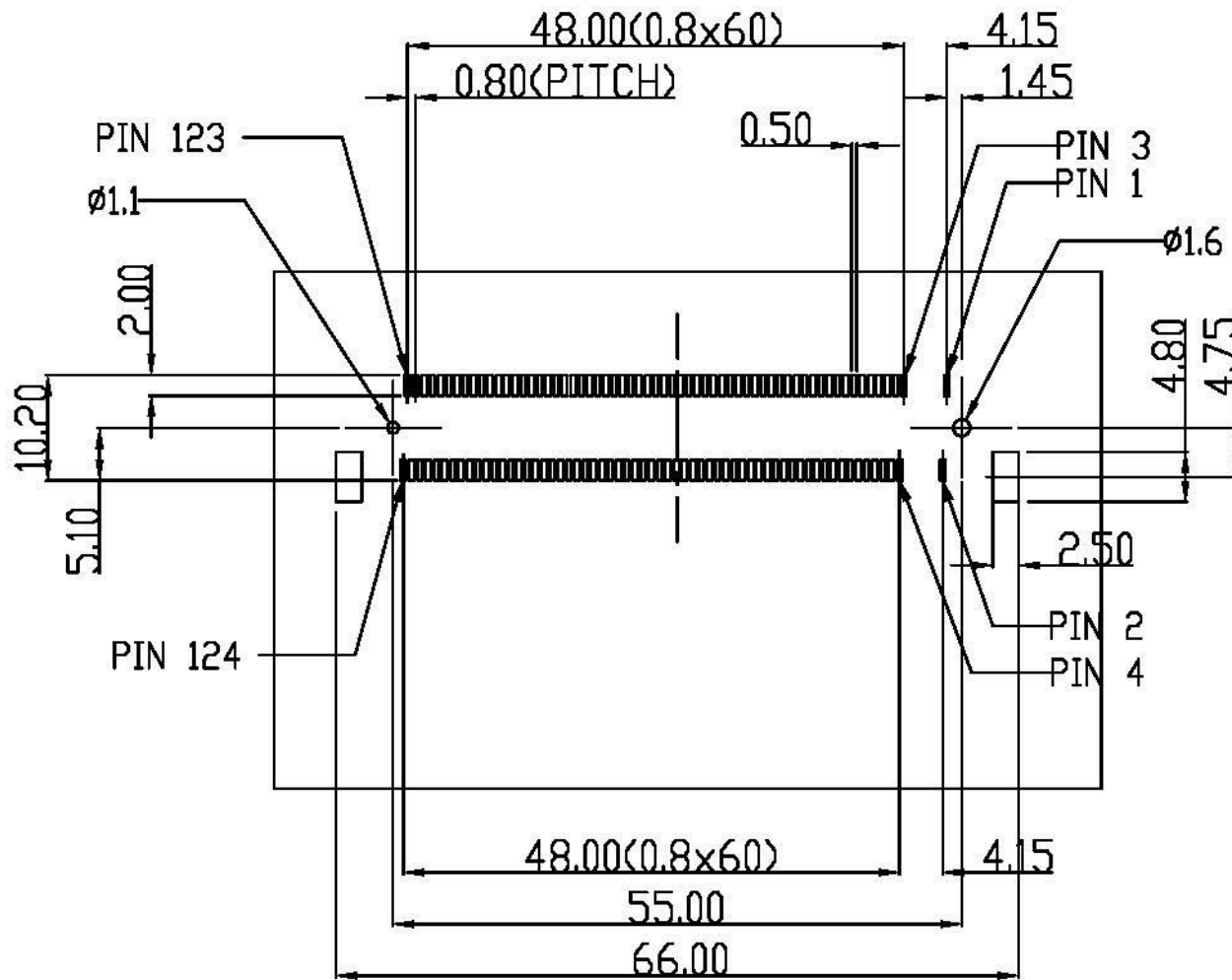
REV.	DESCRIPTION	DATE
A	Revise: Date Code	2010/04/30
	Revise: Latch Matte Tin Plated	2009/09/28
	Revise: Layout Peg	2009/07/06

DRAWN NAME:  
Mini PCI Socket H:4.0, Metal Grounding Type

PRODUCT NO. 114B-40B00-R02

FILE NAME 114B-40B00-R02\_B\_5

REV.	DESCRIPTION	DATE	REV.	DESCRIPTION	DATE	SIZE	REV.
1						A4	1.0



RECOMMEND PC BOARD LAYOUT

UNLESS OTHERWISE SPECIFIED TOLERANCE

ANGLES	ANG.	+SP
	0	±0.3
LINEAR	0.0	±0.25
	0.00	±0.20
SCALE	AS SHOWN	UNIT: mm

**Allconnectors**

www.allconnectors.de info@allconnectors.de  
 Tel: 049 711 705916 Fax: 049 711 705914  
 70294 Fildefordt Germany kottewerth.de

△	Revise: Date Code	2010/04/30
△	Revise: Latch Matte Tin Plated	2009/09/28
△	Revise: Layout Peg	2009/07/06

DRAWN	Willis	2012/08/03
CHECKED	Angel	2012/08/03
APPROVED	Ken	2012/08/03

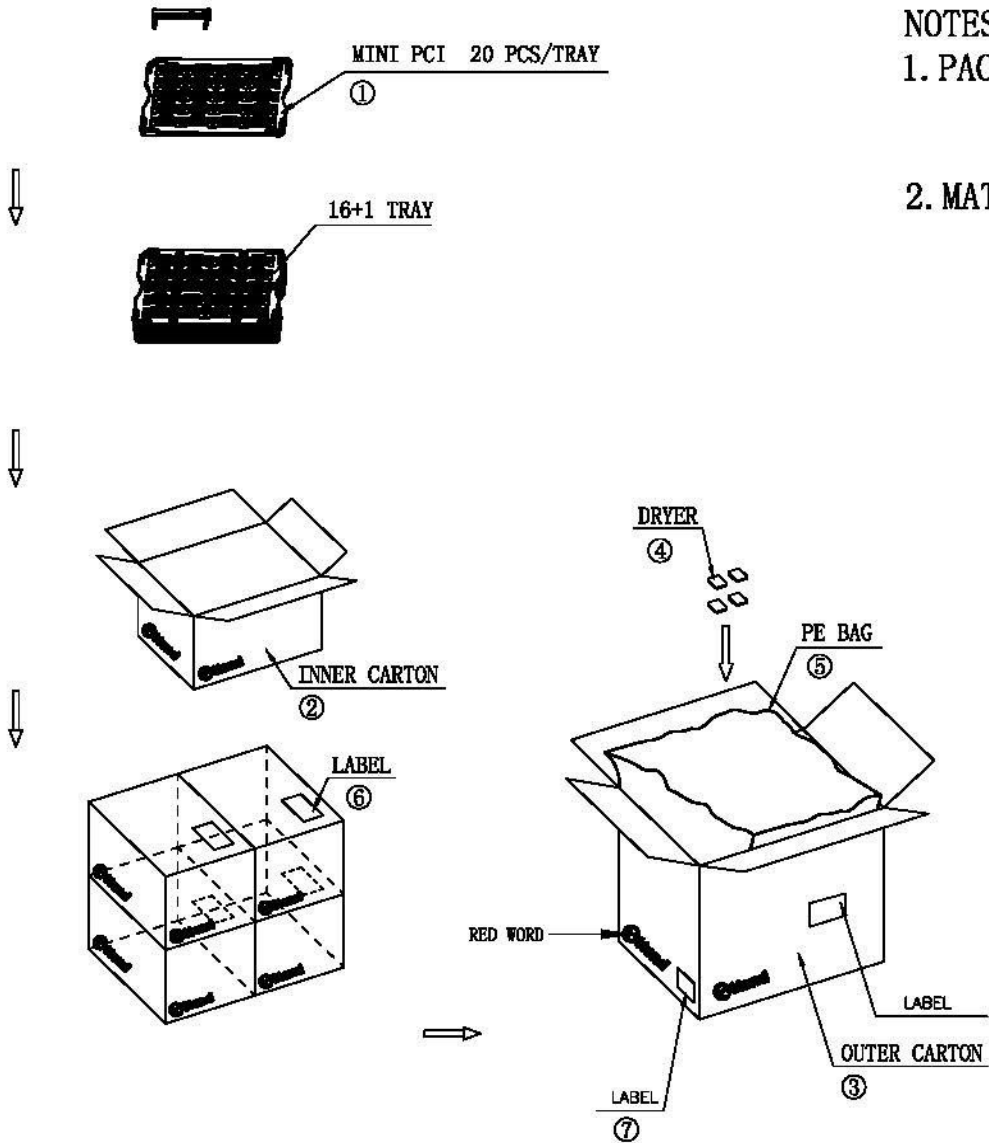
DRAWN NAME:  
Mini PCI Socket H:4.0, Metal Grounding Type

PRODUCT NO. 114B-40B00-R02

REV.	DESCRIPTION	DATE	REV.	DESCRIPTION	DATE
1					

SIZE A4 REV. 1.0

FILE NAME 114B-40B00-R02\_B\_5



NOTES:  
 1. PACKING STYLE 20 PCS/TRAY  
 300 PCS/INNER CARTON  
 1200 PCS/OUTER CARTON  
 2. MATERIAL TRAY:PET

7	LABEL	1	PCS		
6	LABEL	4	PCS		
5	PE BAG	1	PCS		
4	DRYER	4	BAG		
3	OUTER CARTON	1	PCS		
2	INNER CARTON	4	PCS		
1	TRAY	20	64+4	PCS	
			1200		
NO.	PACKING NAME	PCS/T	T/CTN.	UNIT	NOTE
		PACKING QTY			


UNLESS OTHERWISE SPECIFIED TOLERANCE

ANGLES	ANG.	±5°
LINEAR	0.	±0.3
	0.0	±0.25
	0.00	±0.20

SCALE AS SHOWN UNIT: mm

DRAWN Willis 2012/08/03 DRAWN NAME: Mini PCI Socket H:4.0, Metal Grounding Type

CHECKED Angel 2012/08/03

APPROVED Ken 2012/08/03

PRODUCT NO. 114B-40B00-R02

FILE NAME 114B-40B00-R02\_D\_3

www.allconnectors.com  
 T: +49 4304 711 705970  
 202247 Idersdorf - Germany  
 info@allconnectors.com  
 +49 4304 711 705900  
 kettenstr.25

REV.	DESCRIPTION	DATE	REV.	DESCRIPTION	DATE	SIZE A4	REV. 1.0	FILE NAME	114B-40B00-R02_D_3
1	2	3	4	5	6	7	8	9	10