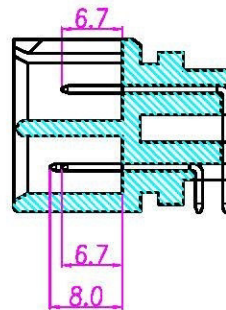
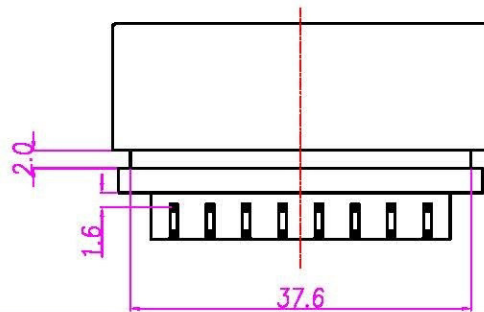
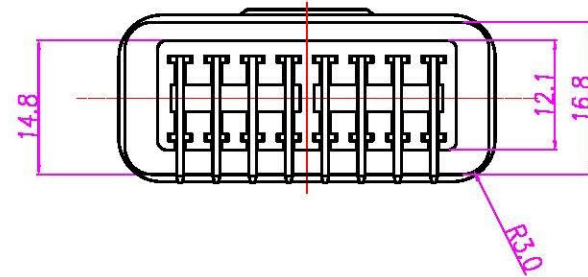
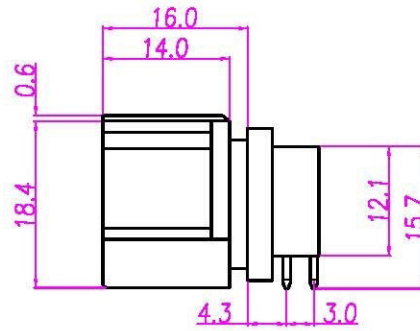
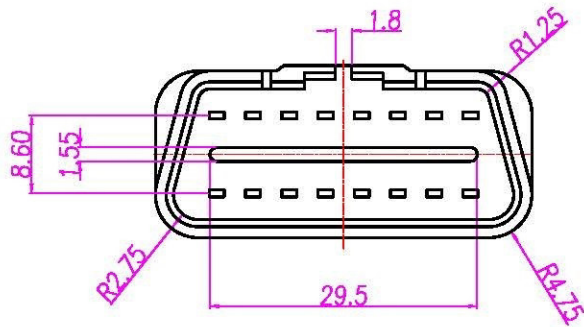
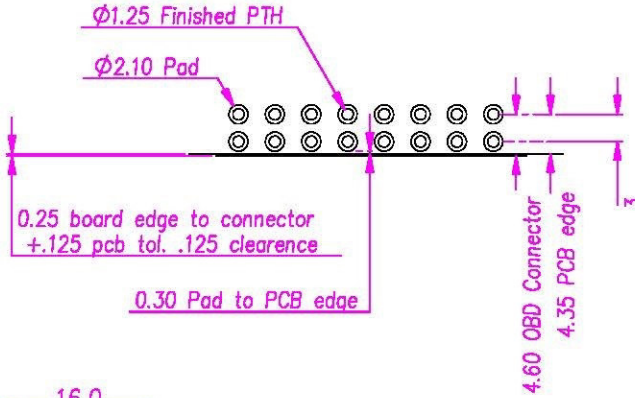
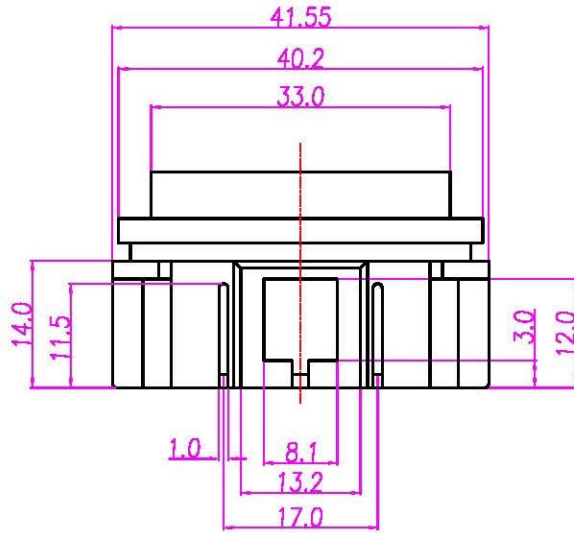


This document is the property of Nian-Yeong Corporation and is delivered on the express condition that it is not to be disclosed, reproduced or used, in whole or in part, for manufacture or sale by anyone other than Nian-Yeong Corporation without its prior consent, and that no right is granted to disclose or to use any information in this document.

CUSTOMER DRAWING

REV.	DESCRIPTION	APPROVED BY	DATE	ECN NO.
A	RELEASE	Fido Veng	30/08/11'	
B				
C				



- MATERIAL :
 - HOUSING : NYLON 66 ; COLOR : BLACK
 - CONTACT : BRASS
- FINISH :
 - CONTACT : BRIGHT TIN UNDERPLATED NICKEL.
- Environmental :
 - Operation Temperature : -20°C~85°C

DRAWN	KU	APPEND	UNIT	mm	TOLERANCE		TITLE	OBD2 16(M)90度插件(歐式)		SHEET	
CHOKED			SCALE	1:1	±.20 ±.10 ±.05 ±.03 ANGLA ±1°		PART NO.	DBD2-16M3-03	DWG NO.	QC5496	

www.allconnectors.de
 Tel.: 0049 711 7009308
 70794 Filddorfstr. Germany

info@allconnectors.de
 Fax: 0049 711 7009104
 Kottbamerstr. 25