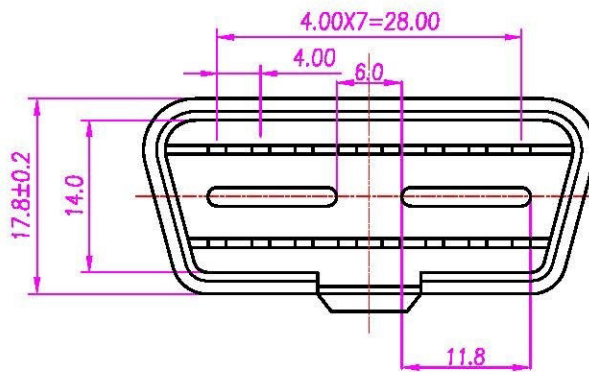
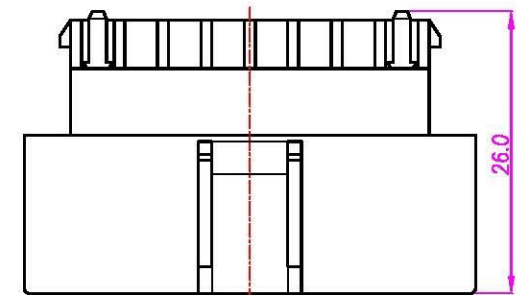
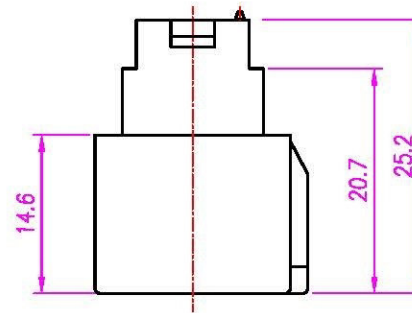
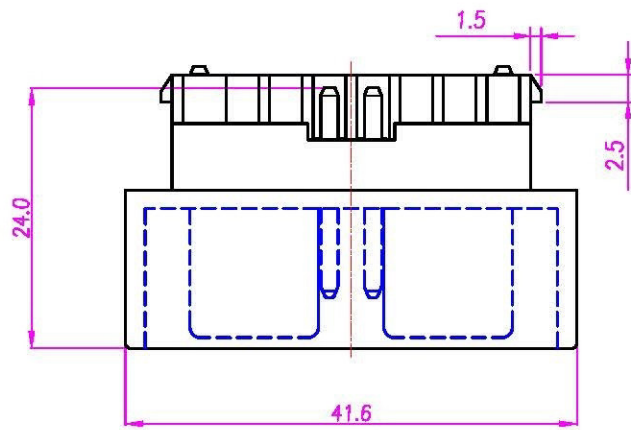
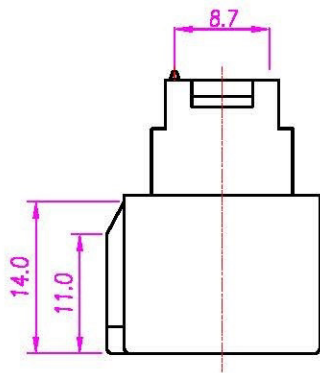
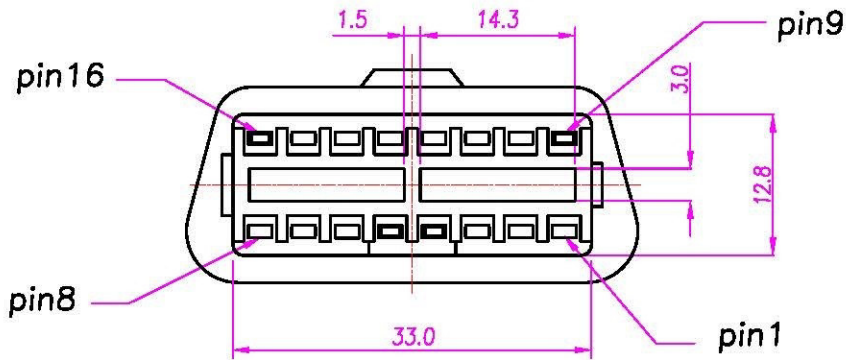


This document is the property of Nian-Yeong Corporation and is delivered on the express condition that it is not to be disclosed, reproduced or used, in whole or in part, for manufacture or sale by anyone other than Nian-Yeong Corporation without its prior consent, and that no right is granted to disclose or to use any information in this document.

CUSTOMER DRAWING

REV.	DESCRIPTION	APPROVED BY	DATE	ECN NO.
A	RELEASE	Fido Veng	17/05/12'	
B				
C				



- MATERIAL :
 - HOUSING : NYLON
 - CONTACT : BRASS
- FINISH :
 - CONTACT : GOLD FLASH
 - SOLDER AREA : TIN
 - UNDER PLATE : NICKEL

DRAWN	Angus Lai	APP'D	UNIT	MM	TOLERANCE	All Connectors		TITLE	OBD2 16(M)雙層板式(只有4,5,9,16PIN,其餘空腳)		SHEET			
CHK'D			SCALE	1:1	X ±0.20 XX ±0.10 XXX ±0.05 XXXX ±0.03 ANGULA ±1°		www.allconnectors.com.cn Tel: 0049 711 7035503 70794 Rilderstadt - Germany	info@allconnectors.com.cn Fax: 0049 711 7035504 kettenstr. 25	PART NO.	OBD2-16M1-40	DWG NO.	QC5769	VERSION	A