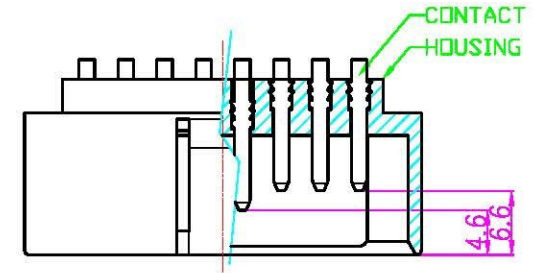
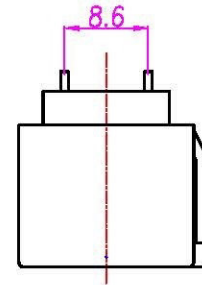
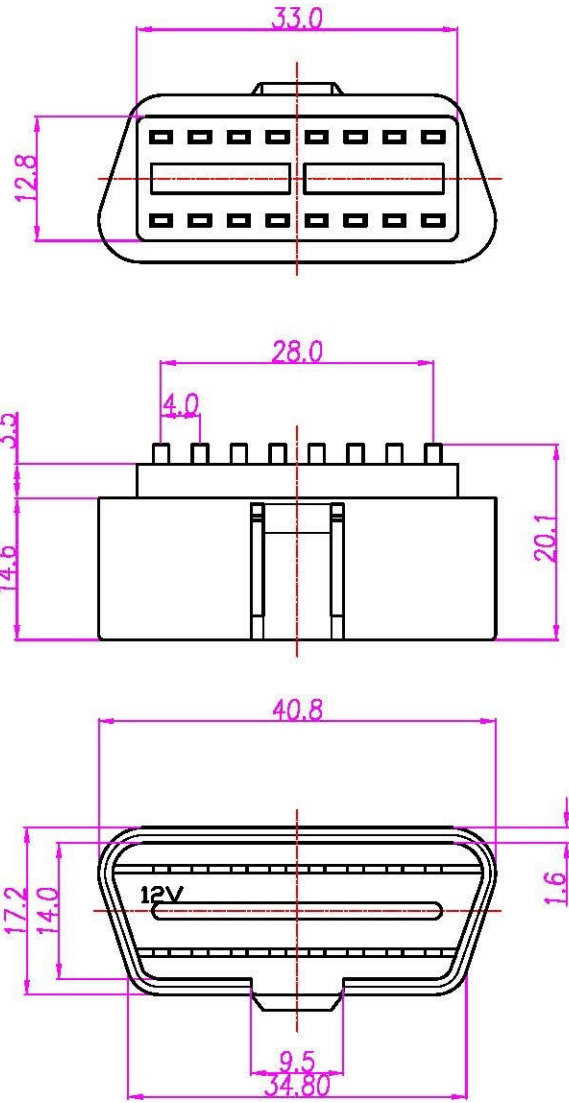


This document is the property of Nan-Yeong Corporation and is delivered on the express condition that it is not to be disclosed, reproduced or used, in whole or in part, for manufacture or sale by anyone other than Nan-Yeong Corporation without its prior consent, and that no right is granted to disclose or to use any information in this document.

CUSTOMER DRAWING

| REV. | DESCRIPTION | APPROVED BY | DATE | ECN NO. |
|------|-------------|-------------|----------|---------|
| A | RELEASE | Fido Weng | 28/12/09 | |
| B | | | | |
| C | | | | |



- MATERIAL :
 - HOUSING : NYLON 66 ; COLOR : BLACK
 - CONTACT : BRASS
- FINISH :
 - CONTACT : SEE TABLE A
BRIGHT TIN ON SOLDER TAILS,
UNDERPLATED NICKEL.
- Environmental :
 - Operation Temperature : -20°C~85°C

TABLE A/NA

| P/N | DESCRIPTION |
|--------------|-------------------------------------|
| QBD2-16M1-42 | QBD2 16PIN (M) 42mm(H=18.1)(PIN 42) |
| QBD2-16M1-26 | QBD2 16PIN (M) 26mm(H=18.1)(PIN 26) |

| DRAWN | Ku Chou | APPD | Fido Weng | UNIT | MM | TOLERANCE | | www.allconnectors.de | info@allconnectors.de | TITLE | SEE TABLE A | | | SHEET |
|-------|------------|------|-----------|-------|-----|--|--|--|-----------------------|----------|-------------|---------|--------|--------------|
| CHKED | Emily Suen | | | SCALE | 1:1 | X ±0.20 XX ±0.10 XXX ±0.05 XXXX ±0.03 ANGULA ±1° | | Tel: +0049 711 7099503 Fax: +0049 711 7099504 Kottbusstr. 25 | | PART NO. | SEE TABLE A | DWG NO. | QC4575 | VERSION A |