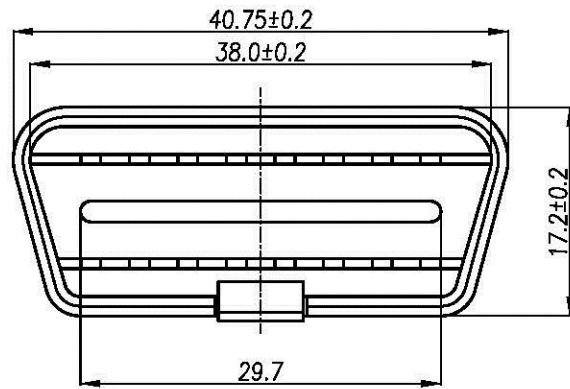
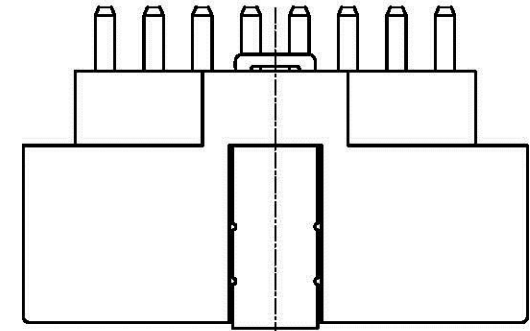
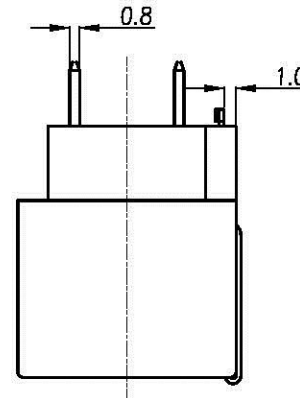
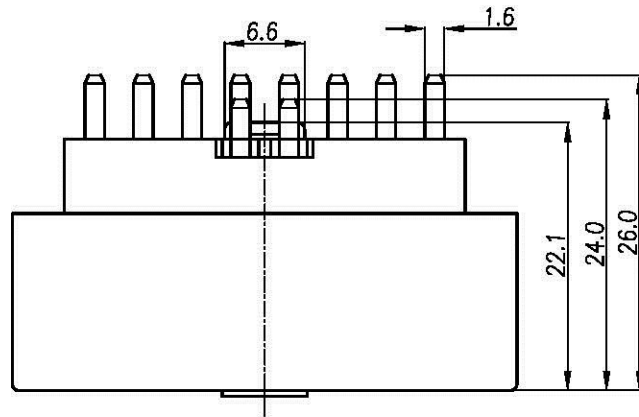
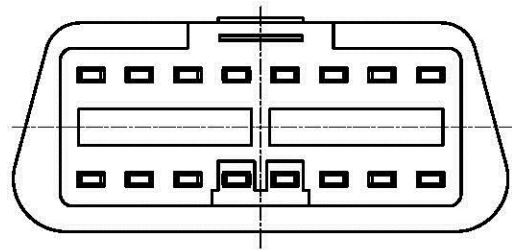


This document is the property of Nan-Yeong Corporation and is delivered on the express condition that it is not to be disclosed, reproduced or used, in whole or in part, for manufacture or sale by anyone other than Nan-Yeong Corporation without its prior consent, and that no right is granted to disclose or to use any information in this document.

# CUSTOMER DRAWING

REV.	DESCRIPTION	APPVL. BY	DATE	ECN NO.
A	RELEASE	Fido Veng	31/12/08	
B				
C				



- MATERIAL :
  - 1-1. HOUSING : NYLON66 ; COLOR : RED
  - 1-2. CONTACT : BRASS
  - 1-3. SPRING : STAINLESS STEEL
- FINISH :
  - 2-1. CONTACT : CONTACT AREA : BRIGHT TIN. SOLDER AREA : TIN 60u"

DRAW	Ye Chou	APPVL	Fido Veng	UNIT	mm	TOLERANCE				TITLE	OBD2 16(M)彈片式			
CHECK	Emily Suen			SCALE	1:1	x ±0.20 xx ±0.10 xxx ±0.05 xxxxx ±0.03 ANGULA ±1°				PART NO.	OBD2-16M1-17	DWG NO.	QC3974	
<a href="http://www.allconnectors.de">www.allconnectors.de</a> Tel.: 0049 711 7009503 70791 Tübingen, Germany										<a href="mailto:info@allconnectors.de">info@allconnectors.de</a> Fax: 0049 711 7009504 Reiterstr. 25				