

This document is the property of Nian-Yeong Corporation and is delivered on the express condition that it is not to be disclosed, reproduced or used, in whole or in part, for manufacture or sale by anyone other than Nian-Yeong Corporation without its prior consent, and that no right is granted to disclose or to use any information in this document.

CUSTOMER DRAWING

REV.	DESCRIPTION	APPROVED BY	DATE	ECN NO.
A	新增規格發行	Fido Veng	12/11/09	ECN09180
B	ADD P/N	Fido Veng	28/07/10	
C				

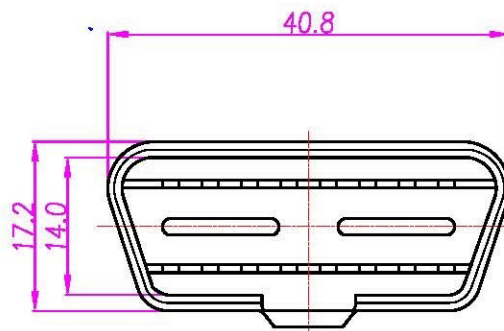
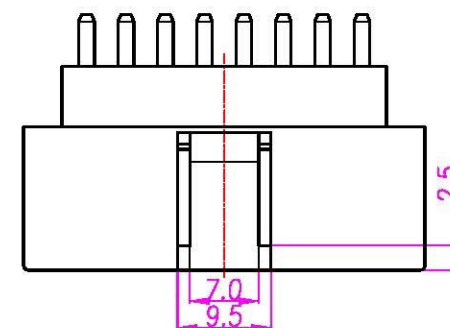
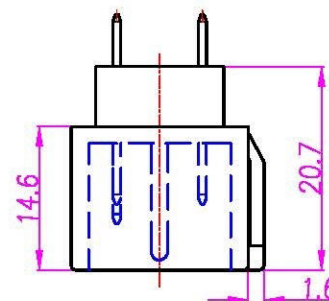
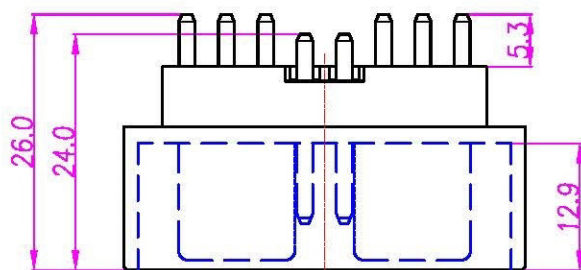
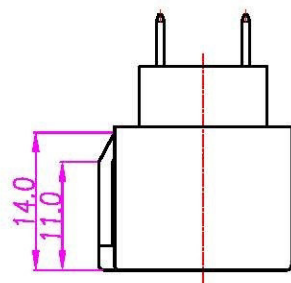
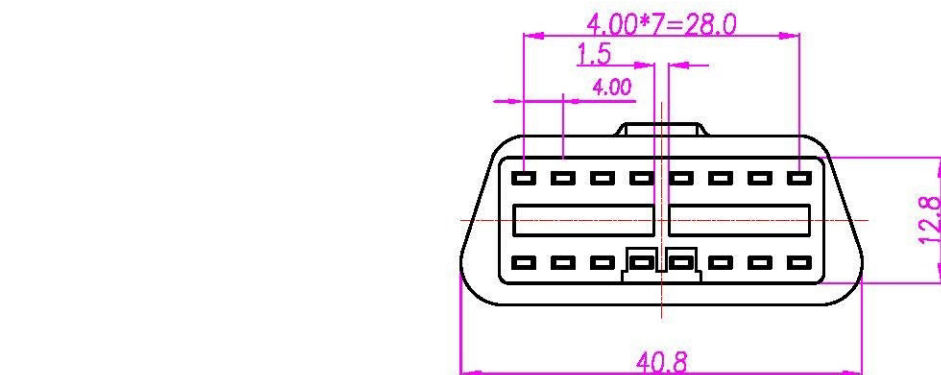


TABLE A

B	OBD2-16M1-28	OBD2 16PIN (M) 短版成型式(雙隔板)藍色
	OBD2-16M1-25	OBD2 16PIN (M) 短版成型式(雙隔板)紅色
	OBD2-16M1-15	OBD2 16PIN (M) 短版成型式(雙隔板)黑色
	P/N.	DESCRIPTION

NOTE:

- MATERIAL:
 - 1-1.HOUSING: NYLON 66+15%GF
 - 1-2.CONTACT: BRASS ,t=0.80mm
- PLATING:
 - 2-1.CONTACT:TIN 60u".

DRAWN	Emily Suen	APP'D	Fido Veng	UNIT	mm	TOLERANCE	All connectors		TITLE	OBD2 16PIN (M) 短版成型式(雙隔板)		SHEET		
CHK'D	Emily Suen			SCALE	1:1	XX ±0.20 XXX ±0.10 XXXX ±0.05 XXXXX ±0.03 ANGULA ±1°		www.allconnectors.de Tel.: 0049 711 3003503 All24-Filetransfer Germany	info@allconnectors.de Fax: 0049 711 3003504 Germany	PART NO.	SEE TABLE A	DWG NO.	QC3797	
												VERSION	B	