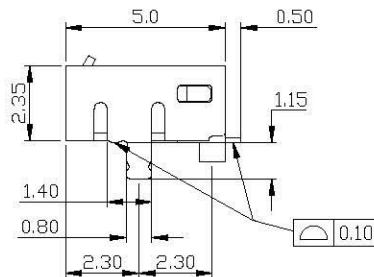
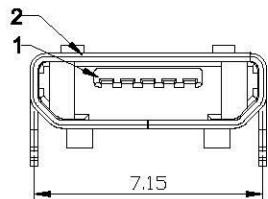


NO.	NAME	MATERIAL	FINISH
1	HOUSING	Nylon / LCP	
2	TERMINAL	Copper Alloy	Gold-Plated
3	SHELL	Alloy	Ni-Plated

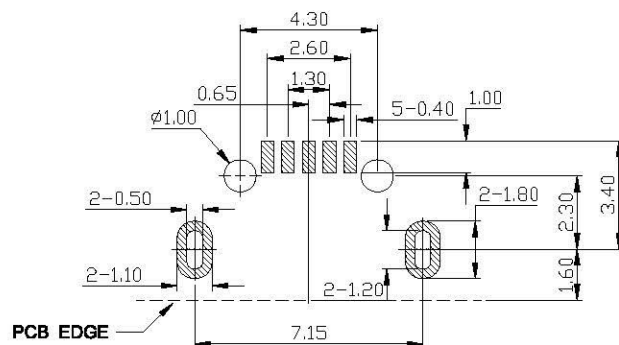
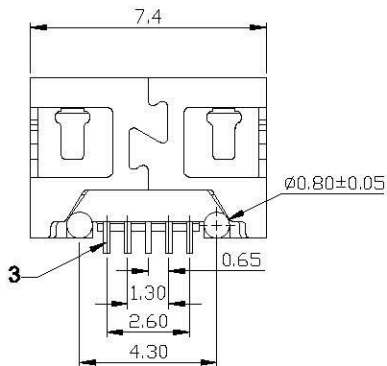
REV	ZONE	REVISION	DATE	APPD.



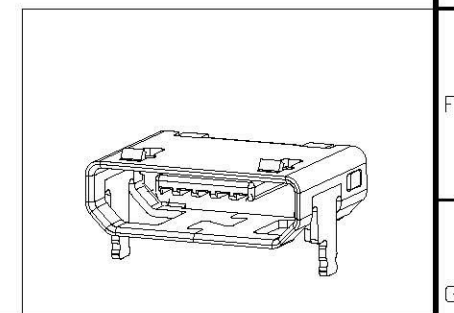
SUA-160M2 * - * * E

Series _____
 Type _____
 B: Black _____
 Material _____
 P : Nylon _____
 L : LCP _____

Shell _____
 E : Nickel Plated _____
 Version _____
 1 : 1.1 _____
 2 : 2.0 _____



RECOMMENDED PCB LAYOUT
TOP VIEW
TOLERANCE: ±0.02mm
PCB THICKNESS: 0.80±0.05mm



All Connectors

www.allconnectors.de
 Tel.: 0049 711 7009503
 70794 Filderstadt - Germany

info@allconnectors.de
 Fax: 0049 711 7009504
 Kettnerstr. 25

COMPUTER NO.

UNIT

SCALE

PART NAME

D : \ DWG \ SUA-160M2

mm

2: 1

MICRO USB 5 PIN SMT

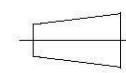
APPD.

CKD.

DWG.

DATE

TOLERANCE



REV.

MODEL

SUA-160M2 * - * * E

PAGE 1 OF 1

Chindge

Sky

2010-12-20

0.000mm ± 0.15mm
 0.00 mm ± 0.25 mm
 0.0 mm ± 0.35 mm

A.0