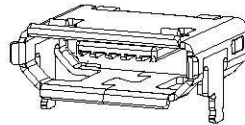
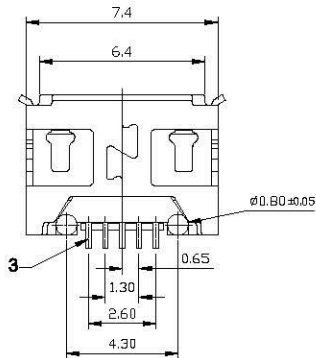
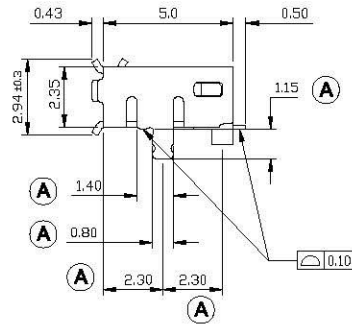
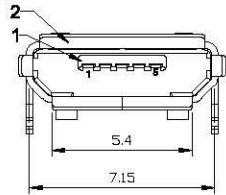


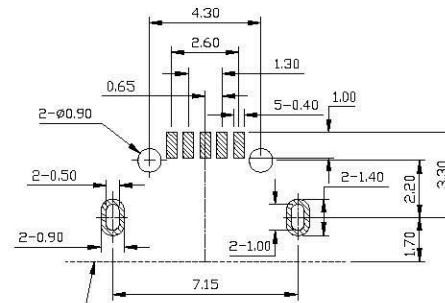
NO.	NAME	MATERIAL	PLATING
1	HOUSING	Nylon or LCP	
2	SHELL	Alloy	Nickel-Plated
3	PIN TERM.	Copper Alloy	Tin-Plated

REV	ZONE	REVISION	DATE	APPD.
A.1	(A)	設變外殼腳	2010.12.13	Sky



**SUA - 160M1 B - \* \* E**

Series \_\_\_\_\_ Shell  
 Type \_\_\_\_\_ E : Nickel Plated  
 Color \_\_\_\_\_ Version  
 B : Black 1 : 1.1  
 2 : 2.0  
 Material \_\_\_\_\_  
 P : Nylon  
 L : LCP



PCB EDGE  
**RECOMMENDED PCB LAYOUT**  
**TOP VIEW**  
**TOLERANCE:  $\pm 0.02\text{mm}$**   
**PCB THICKNESS:  $0.80 \pm 0.05\text{mm}$**

**All Connectors**

www.allconnectors.de  
 Tel.: 0049 711 7009503  
 70794 Filderstadt - Germany

info@allconnectors.de  
 Fax: 0049 711 7009504  
 Kettnerstr. 25

COMPUTER NO.

UNIT

SCALE

PART NAME

D : \ DWG \ SUA-160M

mm

1 : 1

MICRO USB 5 PIN SMT

APPD.

CKD.

DWG.

DATE

TOLERANCE

REV.

MODEL

SUA-160M1B-\* \* E

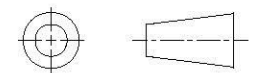
PAGE 1 OF 1

Chindge

李松林

2010-10-21

0.000mm  $\pm$  0.075mm  
 0.00 mm  $\pm$  0.20 mm  
 0.0 mm  $\pm$  0.30 mm



A.1