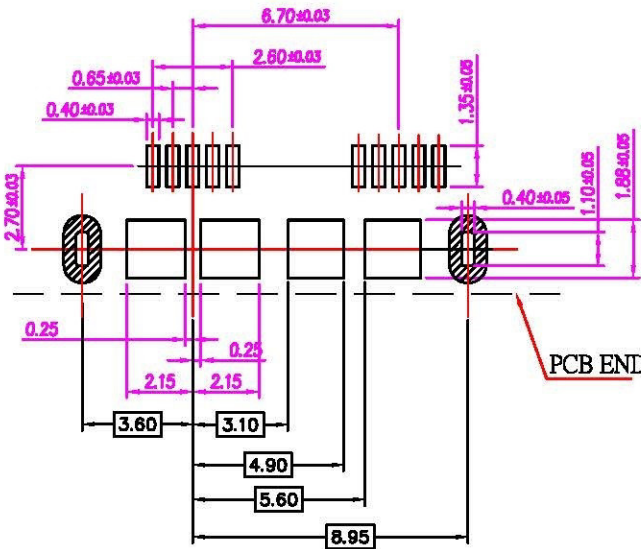
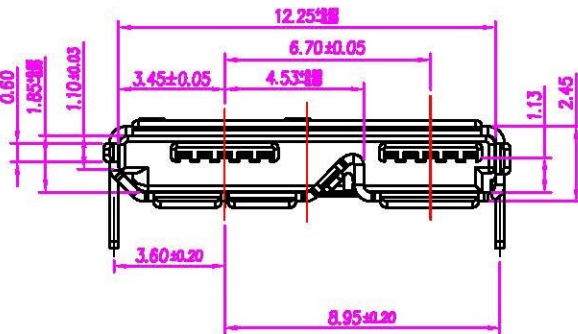
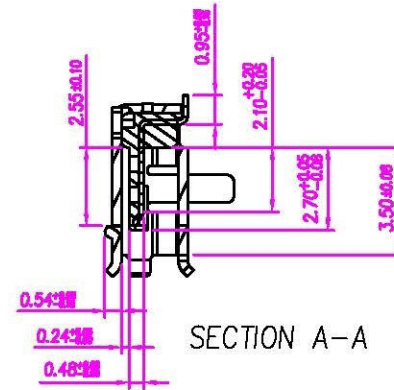
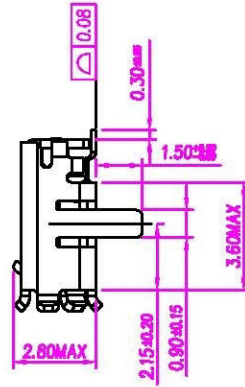
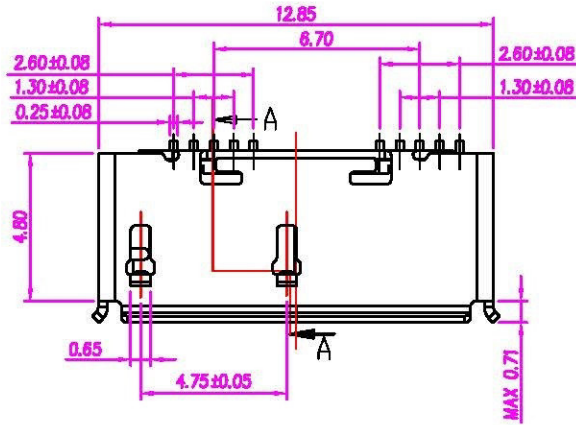


This document is the property of Nan-Yeong Corporation and is delivered on the express condition that it is not to be disclosed, reproduced or used, in whole or in part, for manufacture or sale by anyone other than Nan-Yeong Corporation without its prior consent, and that no right is granted to disclose or to use any information in this document.

CUSTOMER DRAWING

REV.	DESCRIPTION	APPVL. BY	DATE	ECN NO.
A	RELEASE	Enly Suen	22/12/08*	
B				
C				



NOTE:
 1. MATERIAL :
 1-1. HOUSING : LCP UL94V-0 ; COLOR : BLACK
 1-2. CONTACT : PHOSPHOR BRONZE C5191-H T=0.15mm
 1-3. SHELL : STAINLESS STEEL SUS-304 T=0.30mm
 2. FINISH :
 2-1. CONTACT :
 CONTACT AREA : 15 MICRO INCHES MIN. GOLD PLATED
 SOLDER AREA : TIN
 UNDER PLATE : NICKEL
 2-2. SHELL : NICKEL PLATED OVER ALL

DRAW	LILY QIN	APPVL	Enly Suen	UNIT	mm	TOLERANCE	All Connectors		TITLE	Micro USB3.0 B TYPE (F) SMT (MIDP) (0.8/1.5u*)	SHEET			
CHECK	Enly Suen			SCALE	1:1	.x ±0.25 .xx ±0.20 .xxx ±0.10 .xxxx ±0.05 ANGULA ±1°		www.allconnectors.de Tel: 0049 (0) 7003500 70794 Filderstadt, Germany info@allconnectors.de Fax: 0049 (0) 7003504 ksh@connectors.de	PART NO.	MU-10F4-16	DWG NO.	QC4987	VERSION	A