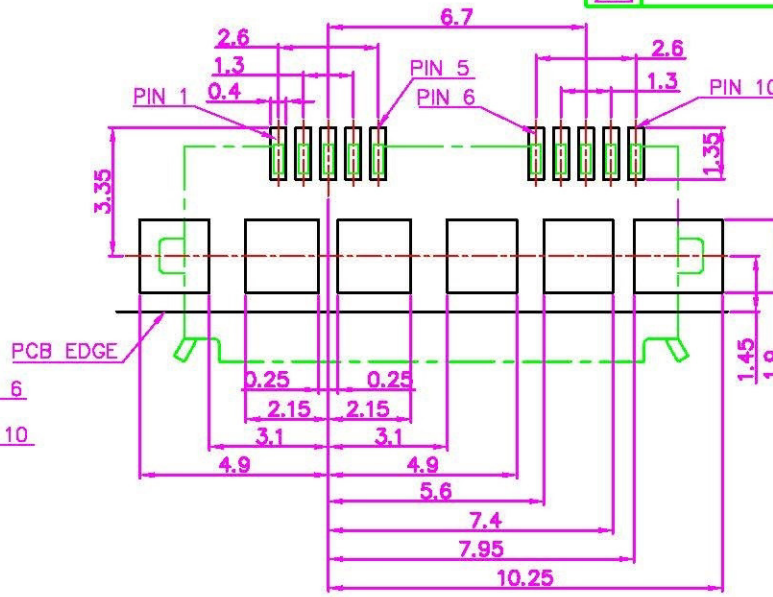
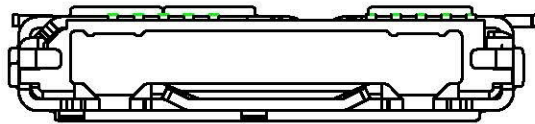
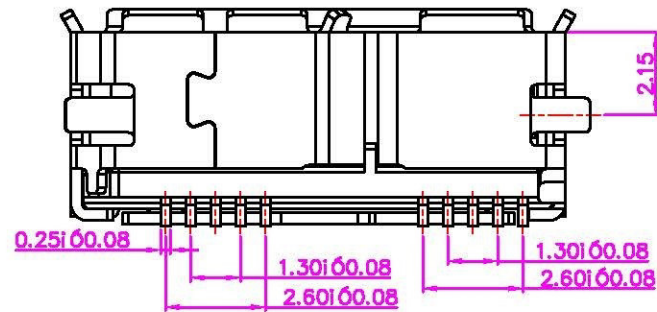
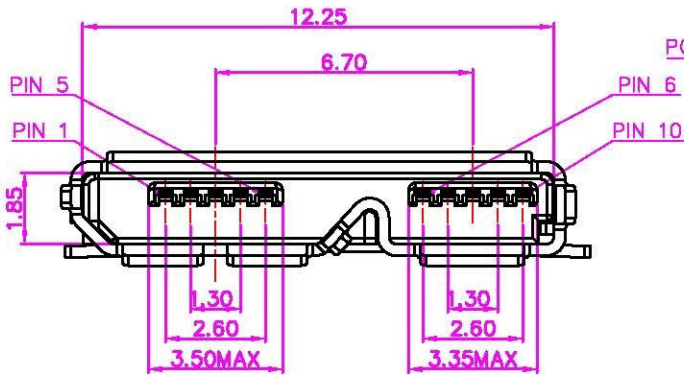
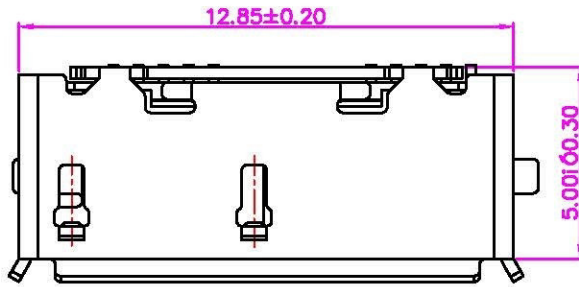


This document is the property of Nan-Yeong Corporation and is delivered on the express condition that it is not to be disclosed, reproduced or used, in whole or in part, for manufacture or sale by anyone other than Nan-Yeong Corporation without its prior consent, and that no right is granted to disclose or to use any information in this document.

CUSTOMER DRAWING

REV.	DESCRIPTION	APPVL. BY	DATE	ECN NO.
A	RELEASE	Fido Weng	17/05/10'	
B				
C				



RECOMMENDED P.C.B LAYOUT
TOLERANCE: ±0.05

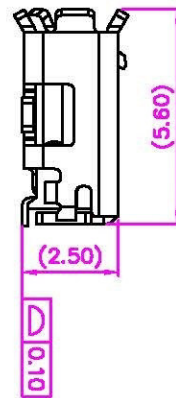


TABLE A

PART NO.	DESCRIPTION
MU-10F4-14	Micro USB3.0 B TYPE (F) 板端SMT(黑色/金15u")
MU-10F4-15	Micro USB3.0 B TYPE (F) 板端SMT(黑色/金30u")

- MATERIAL :
 - HOUSING : LCP 6130 ,UL94V-0; COLOR:BLACK
 - CONTACT : COPPER ALLOY
 - SHELL : STAINLESS STEEL
- FINISH :
 - CONTACT : SEE TABLE A MIN. GOLD PLATED
SOLDER AREA : TIN 80~100u"
UNDER PLATE : NICKEL 50u"
 - SHELL : NICKEL PLATED 60u" ~ 100u" OVER ALL

DRAW	Ren Liao	APPVL	Fido Weng	UNIT	MM	TOLERANCE	XX ±0.20 XXX ±0.10 XXXX ±0.05 XXXXX ±0.03 ANGULA ±1°	TITLE	SEE TABLE A	SHEET	+
CHECK	Emily Suen			SCALE	1:1			PART NO.	TABLE A	DWG NO.	QC4809
											VERSION A