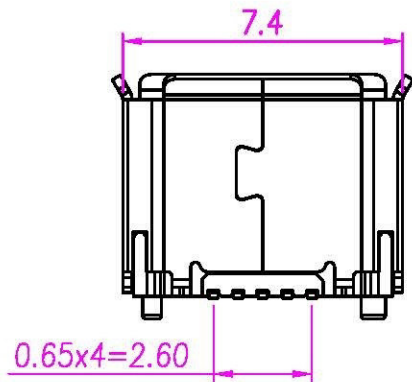
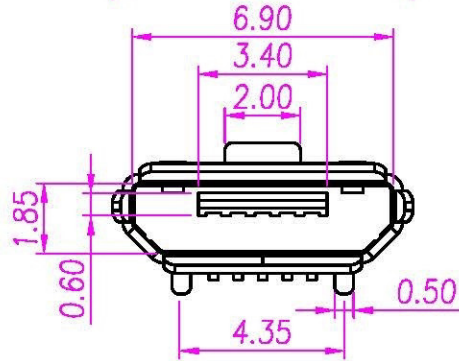
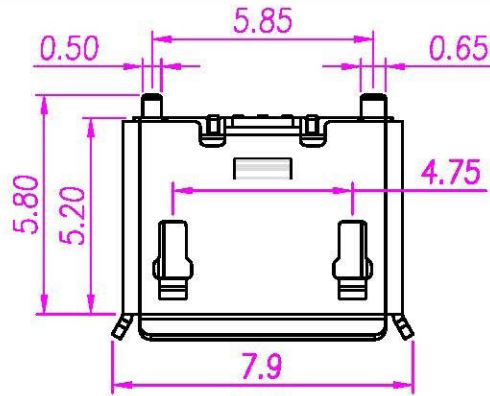


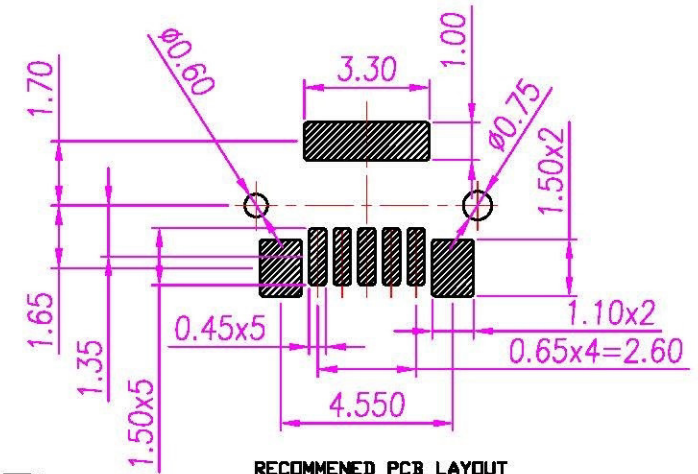
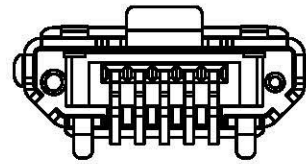
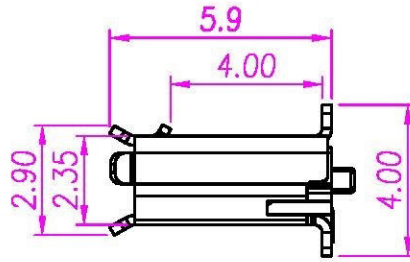
This document is the property of Nian-Yeong Corporation and is delivered on the express condition that it is not to be disclosed, reproduced or used, in whole or in part, for manufacture or sale by anyone other than Nian-Yeong Corporation without its prior consent, and that no right is granted to disclose or to use any information in this document.

CUSTOMER DRAWING

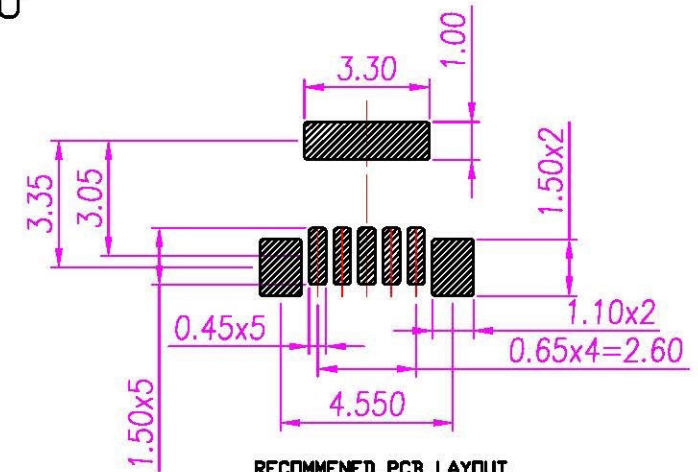
REV.	DESCRIPTION	APPROVED BY	DATE	ECN NO.
A	RELEASE	Emily Suen	2011/10/12	
B				
C				



- MATERIAL :
 - HOUSING : LCP UL94V-0 ; COLOR : BLACK
 - CONTACT : PHOSPHOR BRONZE
 - SHELL : STAINLESS STEEL
 - CAP : LCP UL94V-0 ; COLOR : BLACK
- FINISH :
 - CONTACT : CONTACT AREA : SEE TABLE A
GOLD FLASH ON OTHER AREA
UNDERPLATED : SEE TABLE A
 - SHELL : MATTE TIN PLATED



RECOMMENDED PCB LAYOUT
(TOP VIEW)
MU-05F4-71
MU-05F4-64



RECOMMENDED PCB LAYOUT
(TOP VIEW)
MU-05F4-76

TABLE A

MU-05F4-76	GOLD 10u" MIN	NICKEL 50u" MIN.
MU-05F4-71	GOLD 50u" MIN	NICKEL 200u" MIN.
MU-05F4-64	GOLD 10u" MIN	NICKEL 50u" MIN.
P/N	CONTACT AREA FINISH	UNDERPLATED

DRAWN	Yeh Chou	APPEND	Emily Suen	UNIT	MM	TOLERANCE
CHKD	Emily Suen			SCALE	1:1	X ±0.20 XX ±0.10 XXX ±0.05 XXXX ±0.03 ANGULA ±1°



All Connectors

www.allconnectors.de
Tel: 0049 711 7509303
20154 Hildersdorf, Germany

info@allconnectors.de
Fax: 0049 711 7509104
Relevanzstr. 25

TITLE	MICRO USB 5PIN(F) SMT			SHEET
PART NO.	SEE TABLE A	DWG NO.	QC5130	VERSION A