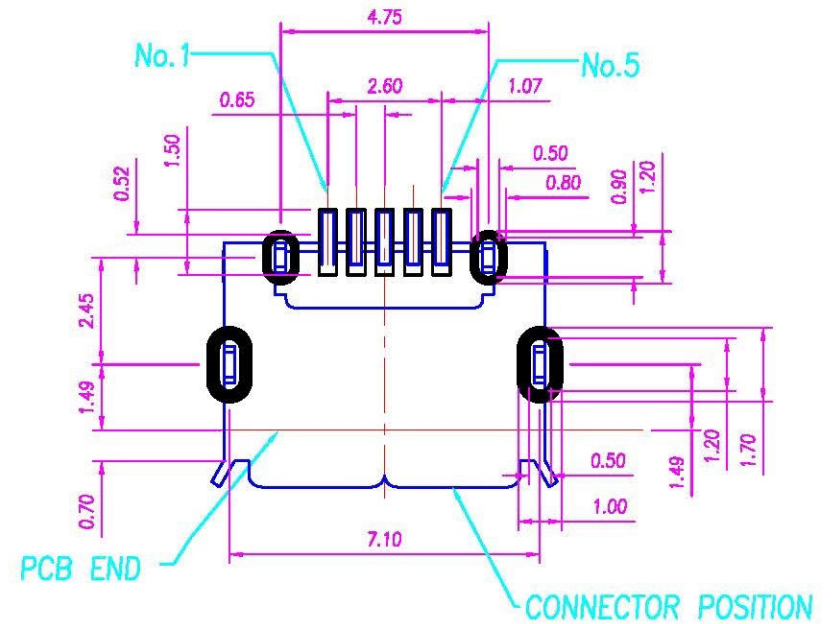
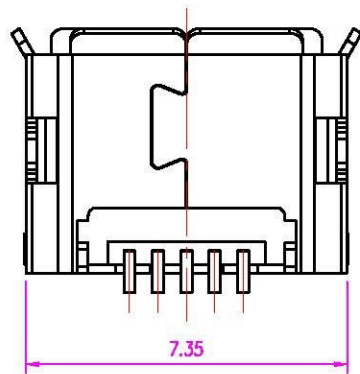
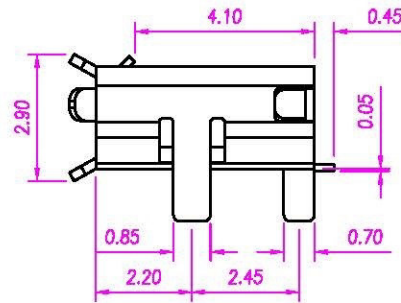
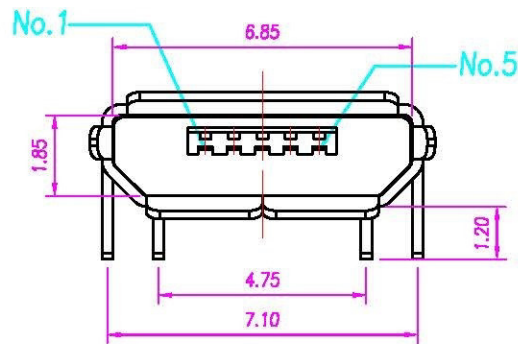
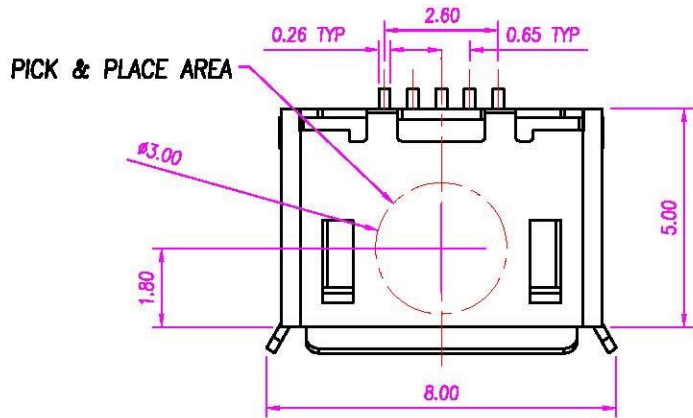


This document is the property of Nian-Yeong Corporation and is delivered on the express condition that it is not to be disclosed, reproduced or used, in whole or in part, for manufacture or sale by anyone other than Nian-Yeong Corporation without its prior consent, and that no right is granted to disclose or to use any information in this document.

CUSTOMER DRAWING

REV.	DESCRIPTION	APPROVED BY	DATE	ECN NO.
A	RELEASE	Fido Veng	22/12/08*	
B	MODIFY DIM.	Fido Veng	20/01/11*	ECN11010
C				



RECOMMEND P.C.B LAYOUT

- MATERIAL :
 - 1-1. HOUSING : LCP UL94V-0 ; COLOR : BLACK
 - 1-2. CONTACT : PHOSPHOR BRONZE
 - 1-3. SHELL : STAINLESS STEEL
- FINISH :
 - 2-1. CONTACT : GOLD 10u" ON CONTACT AREA
 - 2-2. SHELL : MATTE TIN PLATED ON OVER ALL

DRAWN	Yeh Chou	APPEND	Emily Suen	UNIT	MM	TOLERANCE			TITLE	MICRO USB 5PIN(F)B TYPE DIP 定位			SHEET	
CHECKED	Emily Suen			SCALE	1:1	X ±0.20 XX ±0.10 XXX ±0.05 XXXX ±0.03 ANGULA ±1°			PART NO.	MU-05F4-60	DWG NO.	QC4667	VERSION	

www.allconnectors.com
 TEL: 0049 171 4097880
 02913 Udeschall - Germany

info@allconnectors.com
 FAX: 0049 171 4097881
 84166 Mering - GERMANY