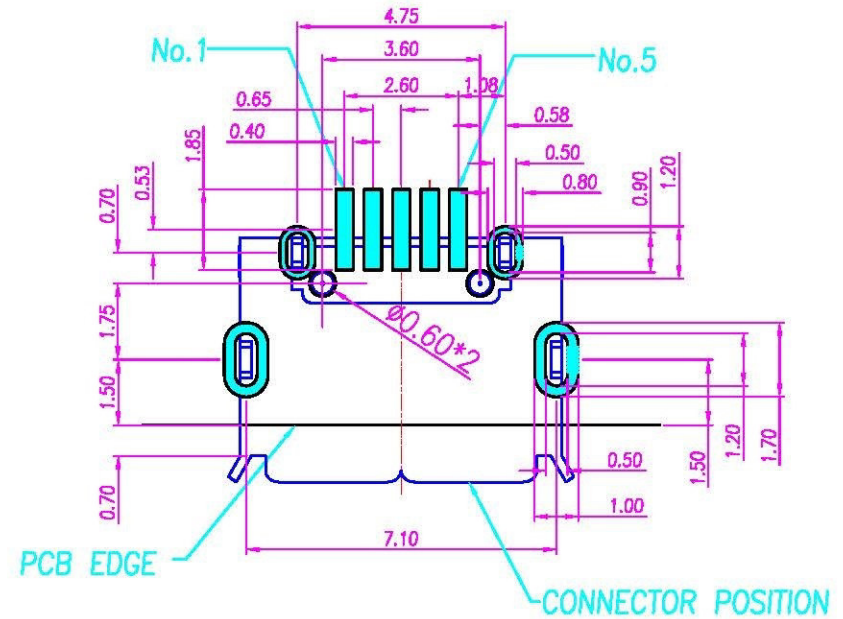
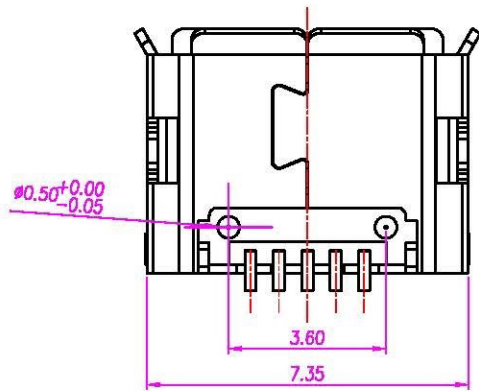
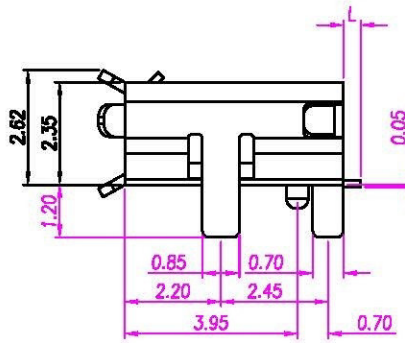
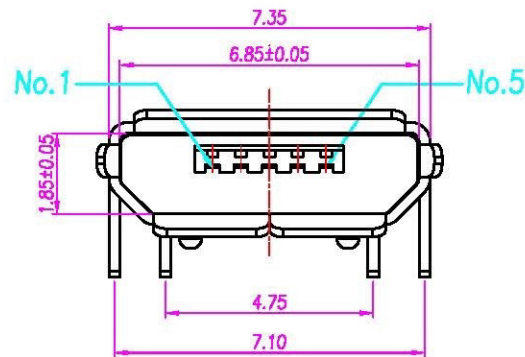
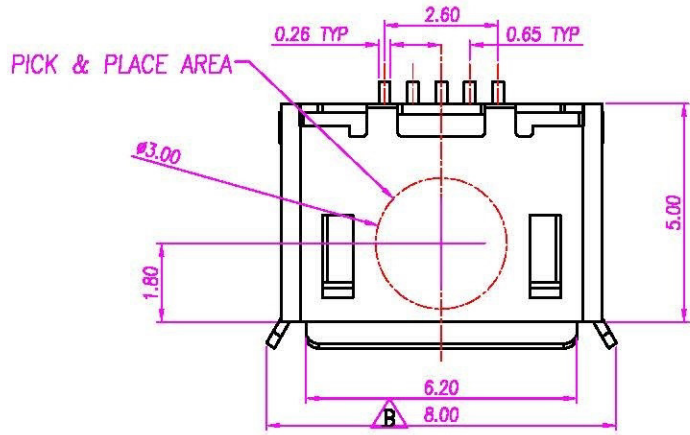


This document is the property of Nan-Yeong Corporation and is delivered on the express condition that it is not to be disclosed, reproduced or used, in whole or in part, for manufacture or sale by anyone other than Nan-Yeong Corporation without its prior consent, and that no right is granted to disclose or to use any information in this document.

CUSTOMER DRAWING

REV.	DESCRIPTION	APPROVED BY	DATE	ECN NO.
A	RELEASE	Flo Veng	22/12/08*	ECN10097
B	MODIFY DIM	Flo Veng	20/01/11*	ECN11010
C				



RECOMMEND P.C.B LAYOUT

- MATERIAL :
 - HOUSING : LCP UL94V-0 ; COLOR : BLACK
 - CONTACT : PHOSPHOR BRONZE
 - SHELL : STAINLESS STEEL
- FINISH :
 - CONTACT : GOLD 10u" ON CONTACT AREA
UNDER PLATE : NICKEL
 - SHELL : SEE TABLE A

P/N	SHELL PLATING	CONTACT PLATING	L
MU-05F4-44	GOLD FLASH	GOLD 10u"	0.4
MU-05F4-63	MATTE TIN	GOLD 10u"	0.4
MU-05F4-75	MATTE TIN	GOLD 10u"	0.9
MU-05F4-77	MATTE TIN	GOLD 30u"	0.4

DRAWN	Jen Xie	APPEND	Emily Suen	UNIT	MM
CHECKED	Emily Suen			SCALE	1:1

TOLERANCE	
.X	±0.20
.XX	±0.10
.XXX	±0.05
.XXXX	±0.03
ANGULAR	±1°

All Connectors

www.allconnectors.de
Tel.: 0049 711 7002503
70794 Filderstadt - Germany

info@allconnectors.de
Fax: 0049 711 7000504
Kettnerstr. 25

TITLE	MICRO USB 5PIN (F) B TYPE 5DIP		
PART NO.	SEE TABLE A	DWG NO.	QC3274

SHEET	1
VERSION	B