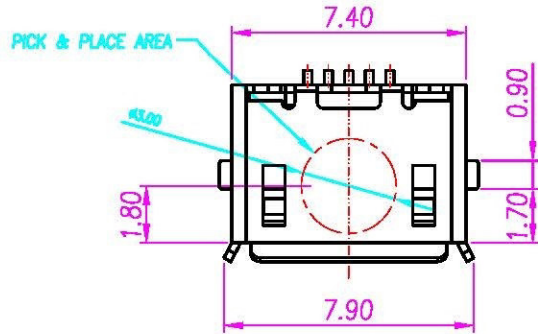


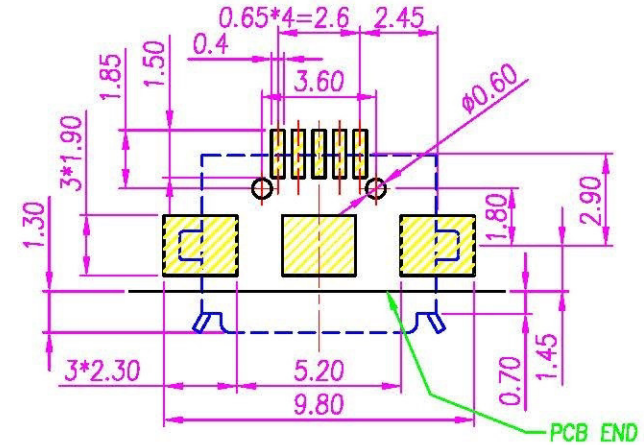
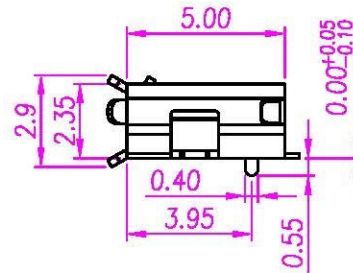
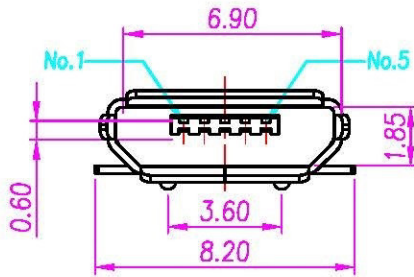
This document is the property of Nan-Yeong Corporation and is delivered on the express condition that it is not to be disclosed, reproduced or used, in whole or in part, for manufacture or sale by anyone other than Nan-Yeong Corporation without its prior consent, and that no right is granted to disclose or to use any information in this document.

CUSTOMER DRAWING

REV.	DESCRIPTION	APPROVED BY	DATE	ECN NO.
C	ADD NEW P/N INTABLE A	Fido Veng	04/10/07'	
D	MODIFY DIM.	Fido Veng	04/12/08'	ECN08022
E	修改尺寸	Enly Suen	30/08/12'	



1. MATERIAL :
- 1-1. HOUSING : LCP UL94V-0 ; COLOR : BLACK
 - 1-2. CONTACT : PHOSPHOR BRONZE.
 - 1-3. SHELL : STAINLESS
2. FINISH :
- 2-1. CONTACT : SEE TABLE A
 - 2-2. SHELL : SEE TABLE A



RECOMMEND P.C.B LAYOUT

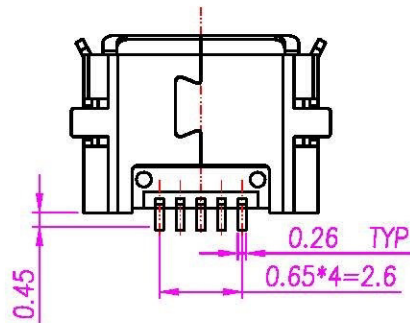


TABLE A

MU-05F4-70	GOLD FLASH/ MATTE TIN 60u"
MU-05F4-30	GOLD 15u" / MATTE TIN 60u"
MU-05F4-31	GOLD 10u" / MATTE TIN 60u"
P/N	PLATED

DRAWN	Jen Xie	APP'D	Enly Suen	UNIT	mm	TOLERANCE	All Connectors		TITLE	MICRO USB 5PIN (F) B TYPE 加定位柱			SHEET	
CHK'D	Enly Suen			SCALE	1:1	x ±0.10 JXX ±0.05 JXXX ±0.03 JXXXX ±0.01 ANGULA ±1°		www.allconnectors.de TEL: 0049 711 7000903 70794 Filderstadt Germany	info@allconnectors.de Fax: 0049 711 7000904 Kottbusstr. 20	PART NO.	SEE TABLE	DWG NO.	QC3039	 VERSION E