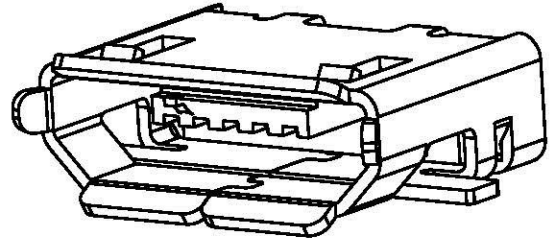
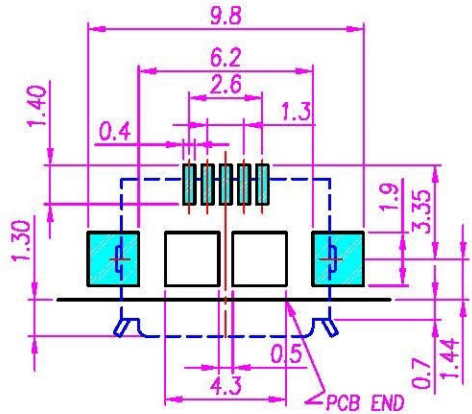
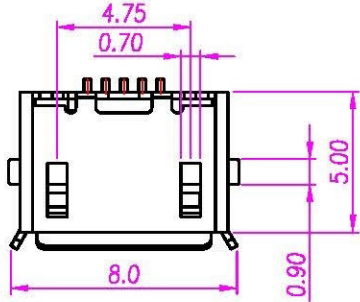


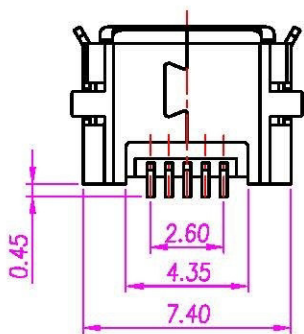
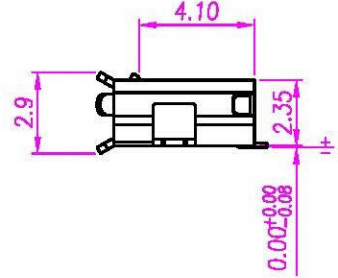
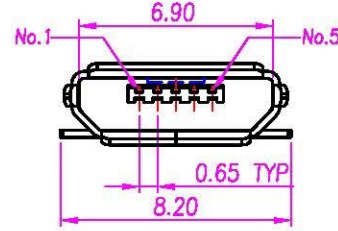
This document is the property of Nan-Yeong Corporation and is delivered on the express condition that it is not to be disclosed, reproduced or used, in whole or in part, for manufacture or sale by anyone other than Nan-Yeong Corporation without its prior consent, and that no right is granted to disclose or to use any information in this document.

# CUSTOMER DRAWING

REV.	DESCRIPTION	APPROVED BY	DATE	ECN NO.
J	ADD NEW PART NO.	Fido Wang	19/03/08*	
K	ADD NEW PART NO.	Fido Wang	22/04/08*	
L	MODIFY DIM.	Fido Wang	22/04/08*	ECN11010



### RECOMMEND P.C.B LAYOUT



**NOTE:**  
 1.MATERIAL:  
 1-1.PIN:COPPER ALLOY(PHOSPHOR BRONZE)  
 1-2.HOUSING:LCP UL94V-0 ; COLOR : BLACK  
 1-3.SHELL:STAINLESS  
 2.PLATING:SEE TABLE A.

TABLE A

P/N	DESCRIPTION
MU-05F4-52	PIN:GOLD 10u" MIN ON CONTACT AREA, SHELL:GOLD FLASH OVER ALL.
MU-05F4-23	PIN:GOLD 10u" MIN ON CONTACT AREA, SHELL:NICKEL PLATED 60u" MIN OVER ALL.
MU-05F4-27	PIN:GOLD 15u" MIN ON CONTACT AREA, SHELL:MATTED TIN 60u" MIN OVER ALL.
MU-05F4-14	PIN:GOLD 10u" MIN ON CONTACT AREA, SHELL:MATTED TIN 60u" MIN OVER ALL.
MU-05F4-29	PIN:GOLD 15u" MIN ON CONTACT AREA, SHELL:NICKEL PLATED 60u" MIN OVER ALL.
MU-05F4-51	PIN:GOLD 30u" MIN ON CONTACT AREA, SHELL:MATTED TIN 60u" MIN OVER ALL.

DRAWN	Jen Xie	UNIT	MM	TOLERANCE			<b>Allconnectors</b> www.allconnectors.de Tel.: 0049 711 7009503 70794 Filderstadt - Germany	info@allconnectors.de Fax: 0049 711 7009504 Kettenenstr. 25	TITLE	MICRO USB 5P(F) B TYPE			SHEET	
CHK'D	Enly Suen	SCALE	1:1	X ±0.20 XX ±0.10 XXX ±0.05 XXXX ±0.03 ANGULA ±1°					PART NO.	TABLE A	DWG NO.	QC2407	VERSION	