

RECOMMEND P.C.B LAYOUT

NOTE:

1.ELECTRICAL PROPERTIES:

- 1-1.CONTACT CURRENT RATING:1.8A(ONLY PIN1,5) AT THE SAME TIME 0.5A AT CONTACT PIN 2,3,4 OTHER 1A(ONLY PIN2,3 4).
- 1-2.CONTACT RESISTANCE:30m Ohm MAX
- 1-3.INSULATION RESISTANCE:100M Ohm MIN AT DC 500V.
- 1-4.DIELECTRIC WITHSTANDING VOLTAGE:AC 100V AC/1 MINUTE 10mA.

2.MATERIAL:

- 2-1.PIN: BRASS
- 2-2.HOUSING: LCP COLOR:BLACK
- 2-3.SHELL: Stainless Steel

3.PLATING:

- 3-1.PIN:UNDERPLATED 50u" MIN,NICKEL OVER ALL. 1u".3u".5u".10u".15u". 30u" GOLD ON CONTACT AREA. 100u" MIN, TIN ON SOLDER TAILS.
- 3-2. SHELL: 30~80u" ,NICKEL OVER ALL.

3	SHELL	1	Stainless steel	T=0.30±0.01mm	Nickel Plated
2	CONTACT	5	Brass	T=0.20±0.01mm	Gold Flashfd
1	HOUSING	1	LCP		Black
No.	Part Name	Q'ty	Material	Thickness	Finish

All Connectors

RoHS Compliant

DRAWING BY CY

CHECKED BY GENIUS

UNIT/ mm

SCALE 1:1

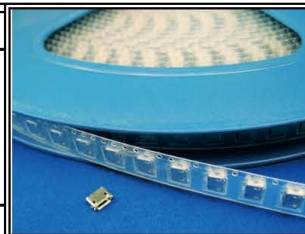
DATE

SIZE A4

TOLERANCES ARE

X ±
X ±
.XX ±
.XXX ±
ANG ±

P PROJECTION



ORDER INFORMATION

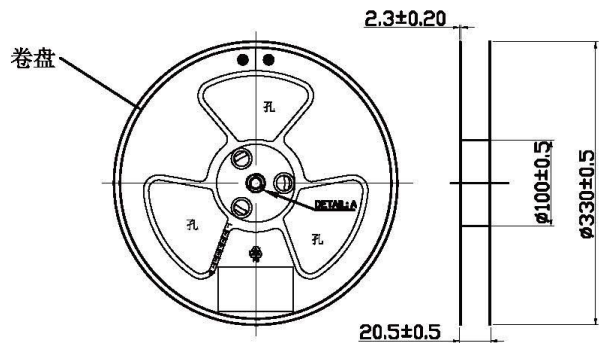
MISB-SWR-5AB-LF



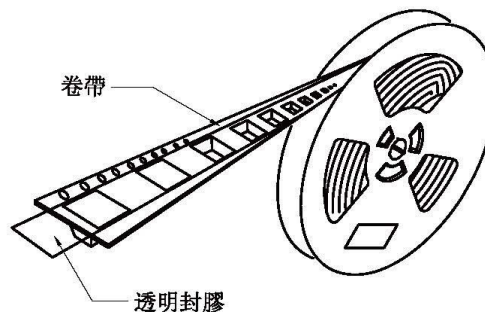
DESCRIPTION: MICRO USB 5PIN(F) A B TYPE (无定位柱)

www.allconnectors.de
Tel.: 0049 711 7009503
70794 Filderstadt - Germany

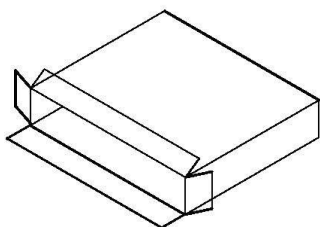
info@allconnectors.de
Fax: 0049 711 7009504
Kettnerstr. 25



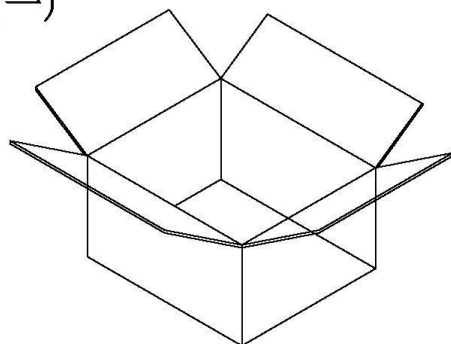
卷帶盤 (圖一)



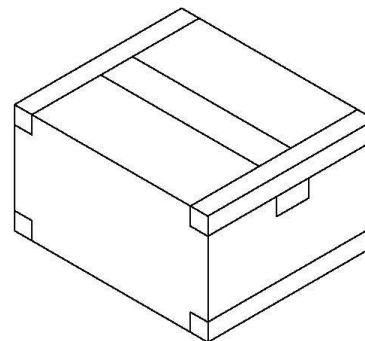
卷裝圖示 (圖二)



未封好
內紙箱
(圖三)



未封好
外紙箱
(圖四)



封好外
紙箱
(圖五)

包裝說明

1. 每卷帶盤裝1500PCS, 不可少數, 成品在盤內不可活動, 裝好後使用自動卷裝機粘合上透明封膠. 如圖(一, 二)所示. 卷帶盤規格為 $\varnothing 330.0 \times 20.5 \text{MM}$.
2. 將裝好的卷帶盤放入內紙箱內, 每個內紙箱放2盤, 用透明膠密封, 再將封裝好的內紙箱放入外紙箱中, 每個外紙箱放8個內紙箱, 共有產品24.0K, 最後用透明膠密封外紙箱. 如圖(三, 四, 五)所示. 內紙箱規格為 $350 \times 350 \times 58 \text{MM}$, 外紙箱規格為 $355 \times 368 \times 530 \text{MM}$
3. 紙箱外貼上環保标签, 合格标签, 產品規格說明, 並且貼在外箱側面的箱面規格說明的右上方 (僅貼一側)
4. 包裝材料:(JPL007, RR002, ZX011, ZX004)

All Connectors

www.allconnectors.de info@allconnectors.de
Tel.: 0049 711 7009503 Fax: 0049 711 7009504
70794 Filderstadt - Germany Kettenerstr. 25

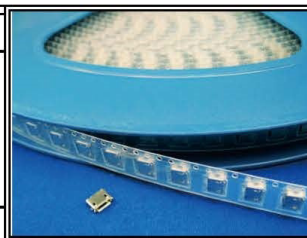
RoHS Compliant

DRAWING BY CY
CHECKED BY GENIUS
UNIT/ mm SCALE 1:1
DATE
SIZE A4

TOLERANCES ARE

X.±
X.±
.XX±
.XXX±
ANG±

PJECTION



ORDER INFORMATION



DESCRIPTION: MICRO USB 5PIN(F) A B TYPE (无定位柱)