

**NOTE:**

**1.ELECTRICAL PROPERTIES:**

- 1-1.CONTACT CURRENT RATING:1.8A(ONLY PIN1,5) AT THE SAME TIME  
0.5A AT CONTACT PIN 2,3,4 OTHER 1A(ONLY PIN2,3 4).
- 1-2.CONTACT RESISTANCE:30m Ohm MAX
- 1-3.INSULATION RESISTANCE:100M Ohm MIN AT DC 500V.
- 1-4.DIELECTRIC WITHSTANDING VOLTAGE:AC 100V AC/1 MINUTE 10mA.

**2.MATERIAL:**

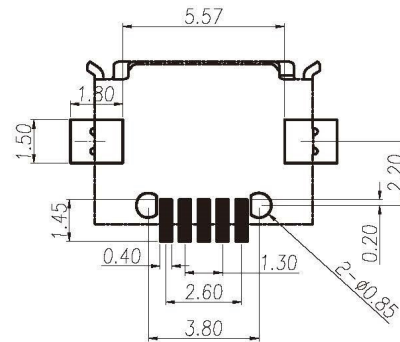
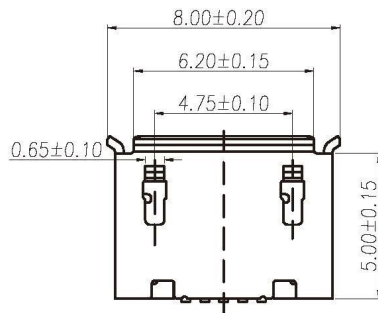
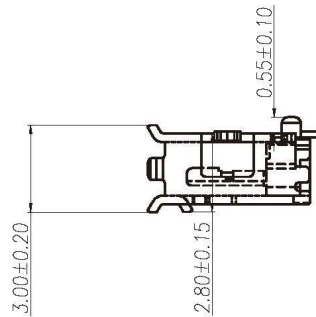
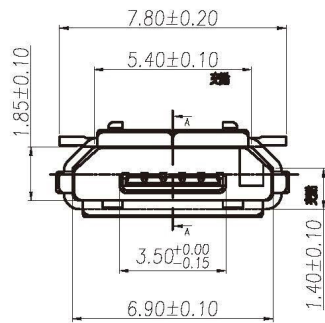
- 2-1.PIN: BRASS
- 2-2.HOUSING: LCP COLOR:BLACK
- 2-3.SHELL: Stainless Steel

**3.PLATING:**

- 3-1.PIN:UNDERPLATED 50u" MIN,NICKEL OVER ALL.  
1u".3u".5u".10u".15u". 30u"GOLD ON CONTACT AREA.  
100u" MIN, TIN ON SOLDER TAILS.

- 3-2. SHELL: 30~80u" ,NICKEL OVER ALL.

- 4.Temperature range: -40°C~+85°C



**RECOMMEND P.C.B LAYOUT**

3	SHELL	1	Stainless steel	T=0.30±0.01mm	Nickel Plated	D4470XX
2	CONTACT	5	Brass	T=0.20±0.01mm	Gold Flashfd	JCH0147-A
1	HOUSING	1	LCP		Black	JCH0147
No.	Part Name	Q'ty	Material	Thickness	Finish	Notes

**RoHS Compliant**

**All Connectors**

www.allconnectors.de

info@allconnectors.de

Tel.: 0049 711 7009503

Fax: 0049 711 7009504

70794 Filderstadt - Germany

Kettenerstr. 25

DRAWING BY CY  
CHECKED BY GENIUS

UNIT/ mm SCALE 1:1

DATE

SIZE A4

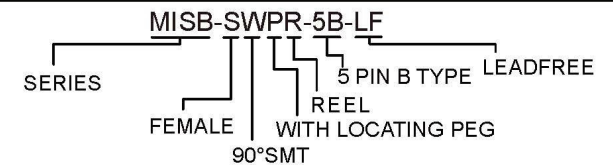
TOLERANCES ARE

X ±  
X ±  
XX ±  
XXX ±  
ANG ±

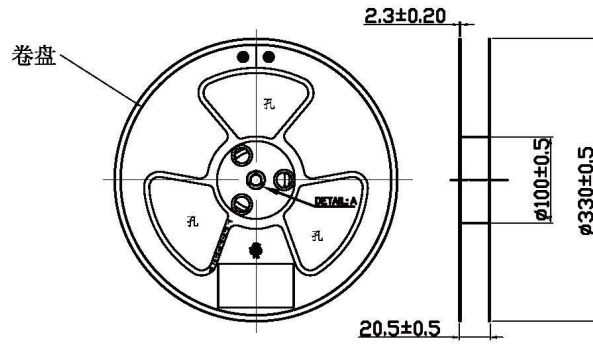
PJECTION



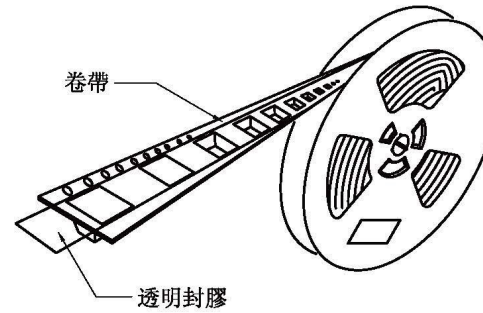
**ORDER INFORMATION**



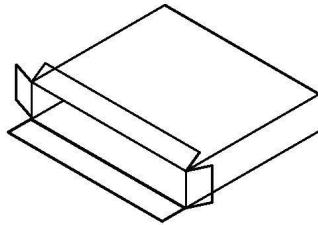
**DESCRIPTION: MICRO USB 5PIN(F) B TYPE**



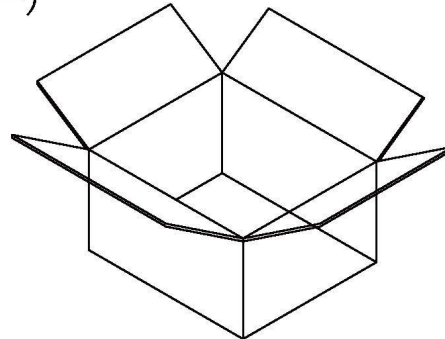
卷帶盤 (圖一)



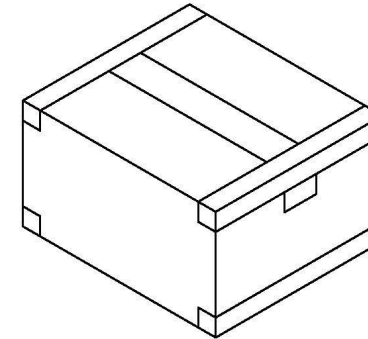
卷裝圖示 (圖二)



未封好  
內紙箱  
(圖三)



未封好  
外紙箱  
(圖四)



封好外  
紙箱  
(圖五)

**包裝說明**

1. 每卷帶盤裝1500PCS,不可少數,成品在盤內不可活動,裝好後使用自動卷裝機粘合上透明封膠. 如圖(一,二)所示. 卷帶盤規格為 $\varnothing 330.0 \times 20.5 \text{MM}$ .
2. 將裝好的卷帶盤放入內紙箱內,每個內紙箱放2盤,用透明膠密封,再將封裝好的內紙箱放入外紙箱中,每個外紙箱放8個內紙箱,共有產品24.0K,最後用透明膠密封外紙箱. 如圖(三,四,五)所示. 內紙箱規格為 $350 \times 350 \times 58 \text{MM}$ ,外紙箱規格為 $355 \times 368 \times 530 \text{MM}$ .
3. 紙箱外貼上環保標籤,合格標籤,產品規格說明,並且貼在外箱側面的箱面規格說明的右上方(僅貼一側)
4. 包裝材料:(JPL007,RR002,ZX011,ZX004)

<p>www.allconnectors.de Tel.: 0049 711 7009503 70794 Filderstadt - Germany</p>	<b>RoHS Compliant</b>		<p>TOLERANCES ARE</p> <p>X ± .X ± .XX ± .XXX ± ANG ±</p>
	DRAWING BY CY		
	CHECKED BY GENIUS		
	UNIT/ mm	SCALE 1 : 1	
	DATE		
SIZE A4	PROJECTION		



<b>ORDER INFORMATION</b>		
<b>MISB-SWPR-5B-LF</b>		
SERIES	FEMALE	5 PIN B TYPE LEADFREE REEL WITH LOCATING PEG 90°SMT
<b>DESCRIPTION:</b>		