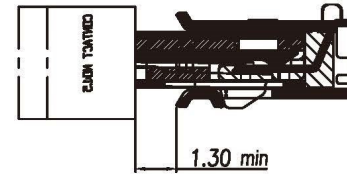
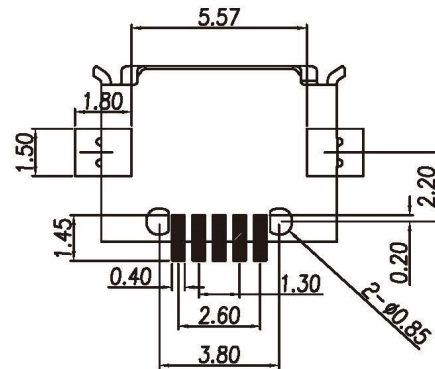
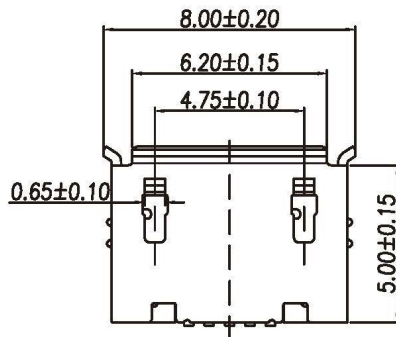
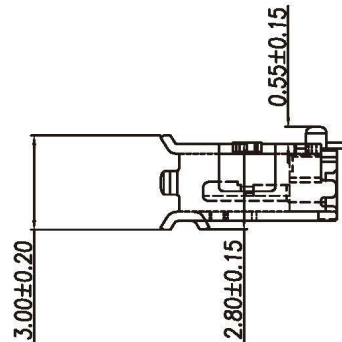
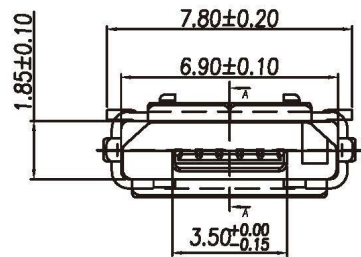


SECTION A-A



公母对插内部结构图



RECOMMEND P.C.B LAYOUT

NOTE:

1.ELECTRICAL PROPERTIES:

- 1-1.CONTACT CURRENT RATING:1.8A(ONLY PIN1,5) AT THE SAME TIME 0.5A AT CONTACT PIN 2,3,4 OTHER 1A(ONLY PIN2,3 4).
- 1-2.CONTACT RESISTANCE:30m Ohm MAX
- 1-3.INSULATION RESISTANCE:100M Ohm MIN AT DC 500V.
- 1-4.DIELECTRIC WITHSTANDING VOLTAGE:AC 100V AC/1 MINUTE 10mA.

2.MATERIAL:

- 2-1.PIN: BRASS
- 2-2.HOUSING: LCP COLOR:BLACK
- 2-3.SHELL: Stainless Steel

3.PLATING:

- 3-1.PIN:UNDERPLATED 50u" MIN,NICKEL OVER ALL. 1u".3u".5u".10u".15u". 30u" GOLD ON CONTACT AREA. 100u" MIN, TIN ON SOLDER TAILS.

4.Temperature range: -40°C~+85°C

3	SHELL	1	Stainless steel	T=0.30±0.01mm	Nickel Plated	D4470XX-A
2	CONTACT	5	Brass	T=0.20±0.01mm	Gold Flashfd	JCH0147-A
1	HOUSING	1	LCP		Black	JCH0147
No.	Part Name	Q'ty	Material	Thickness	Finish	Notes

All Connectors

www.allconnectors.de
Tel.: 0049 711 7009503
70794 Filderstadt - Germany

info@allconnectors.de
Fax: 0049 711 7009504
Kettenerstr. 25

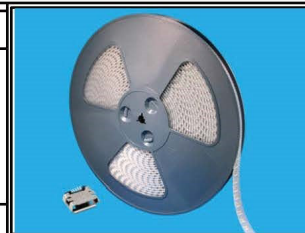
RoHS Compliant

DRAWING BY CY
CHECKED BY GENIUS
UNIT/ mm SCALE 1:1
DATE
SIZE A4

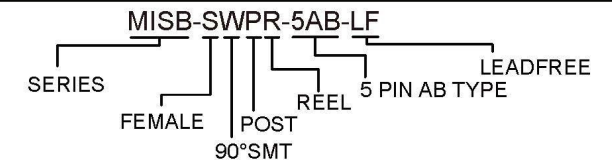
TOLERANCES ARE

X ±
.X ±
.XX ±
.XXX ±
ANG ±

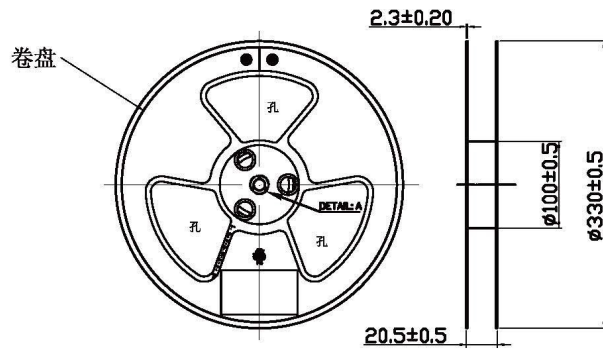
PJECTION



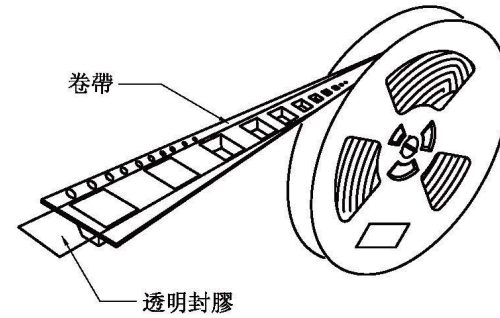
ORDER INFORMATION



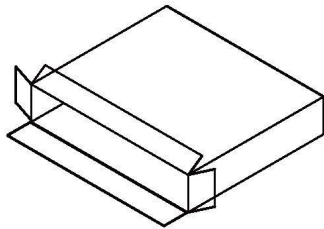
DESCRIPTION: MICRO USB 5PIN(F) A B TYPE



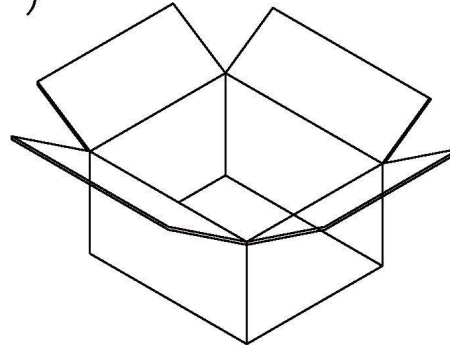
卷帶盤(圖一)



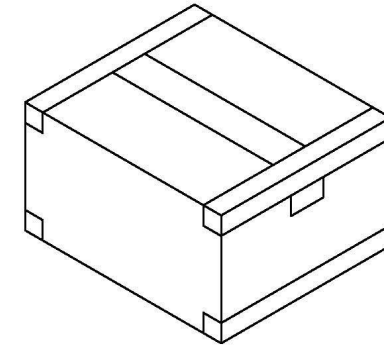
卷裝圖示(圖二)



未封好
內紙箱
(圖三)



未封好
外紙箱
(圖四)

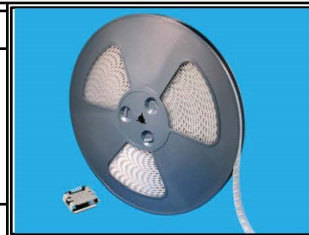


封好外
紙箱
(圖五)

包裝說明

1. 每卷帶盤裝1500PCS,不可少數,成品在盤內不可活動,裝好後使用自動卷裝機粘合上透明封膠.如圖(一,二)所示.卷帶盤規格為 ϕ 330.0*20.5MM.
2. 將裝好的卷帶盤放入內紙箱內,每個內紙箱放2盤,用透明膠密封,再將封裝好的內紙箱放入外紙箱中,每個外紙箱放8個內紙箱,共有產品24.0K,最後用透明膠密封外紙箱.如圖(三,四,五)所示.內紙箱規格為350*350*58MM,外紙箱規格為355*368*530MM
3. 紙箱外貼上環保標籤,合格標籤,產品規格說明,並且貼在外箱側面的箱面規格說明的右上方(僅貼一側)
4. 包裝材料:(JPL007 ,RR002, ZX011, ZX004)

		RoHS Compliant		TOLERANCES ARE
		DRAWING BY CY	SCALE 1:1	
www.allconnectors.de	info@allconnectors.de	CHECKED BY GENIUS		
Tel.: 0049 711 7009503	Fax: 0049 711 7009504	UNIT/ mm		.XX ±
70794 Filderstadt - Germany	Kettenerstr. 25	DATE		.XXX ±
		SIZE A4	PJECTION	ANG ±



ORDER INFORMATION				
MISB-SWPR-5AB-LF				
SERIES	FEMALE	POST	REEL	LEADFREE
			5 PIN AB TYPE	
90°SMT				
DESCRIPTION: MICRO USB 5PIN(F) A B TYPE				