

公母对插内部结构图

NOTE:

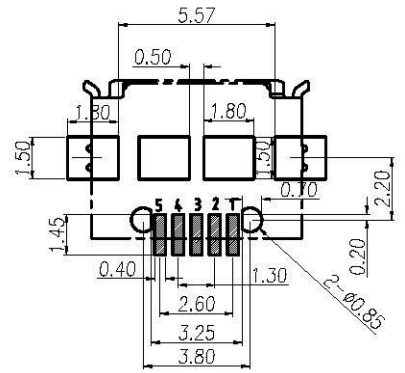
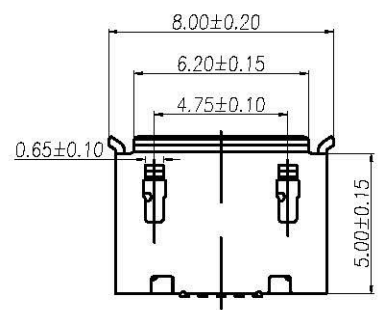
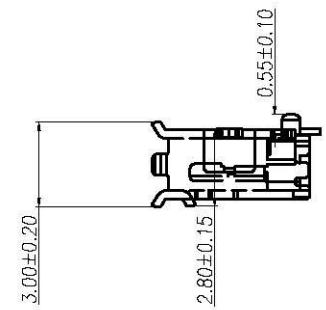
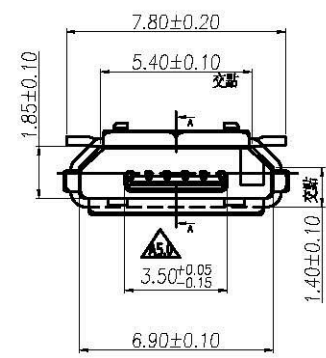
- 1.ELECTRICAL PROPERTIES:**
 1-1.CONTACT CURRENT RATING:1A MAX
 1-2.CONTACT RESISTANCE:30m Ohm MAX
 1-3.INSULATION RESISTANCE:1000M Ohm MIN AT DC 100V.
 1-4.DIELECTRIC WITHSTANDING VOLTAGE: 100V AC(rms) AT 60 HZ FOR 1 MINUTE
 1-5.TEMPERATURE RANGE:-20°C TO +85°C

2.MATERIAL:

- 2-1.PIN: BRASS
 2-2.HOUSING: LCP UL-94 V0 COLOR:BLACK
 2-3.SHELL: Stainless Steel

3.PLATING:

- 3-1.PIN:UNDERPLATED 50u" MIN,NICKEL OVER ALL.
 1u".3u".5u".10u".15u". 30u"GOLD ON CONTACT AREA.
 100u" MIN, TIN ON SOLDER TAILS.
 3-2. SHELL: 30~80u" ,NICKEL OVER ALL.



RECOMMEND P.C.B LAYOUT

3	SHELL	1	Stainless steel	T=0.30±0.01mm	Nickel Plated
2	CONTACT	5	Brass	T=0.20±0.01mm	Gold Flashfd
1	HOUSING	1	LCP		Black
No.	Part Name	Q'ty	Material	Thickness	Finish

RoHS Compliant

All Connectors

www.allconnectors.de
 Tel.: 0049 711 7009500
 70744 Hilderstadt, Germany

info@allconnectors.de
 Fax: 0049 711 7003501
 Kettelerstr. 25

DRAWING BY CY
 CHECKED BY GENIUS
 UNIT / mm SCALE 1 : 1
 DATE
 SIZE A4

TOLERANCES ARE
 X ±
 X ± 0.30
 XX ± 0.20
 XXX ± 0.10
 ANG ± 3°



ORDER INFORMATION

MISB-SWP-5B-LF
 SERIES | LEADFREE
 | 5 PIN B TYPE
 | POST
 | 90°SMT
 | FEMALE

DESCRIPTION: MICRO USB 5PIN(F) B TYPE