

公母对插内部结构图

**NOTE:**

**1.ELECRTICAL PROPERTIES:**

1-1.CONTACT CURRENT RATING:1.8A(ONLY PIN1,5) AT THE SAME TIME  
0.5A AT CONTACT PIN 2,3,4 OTHER 1A(ONLY PIN2,3 4).

1-2.CONTACT RESISTANCE:30m Ohm MAX

1-3.INSULATION RESISTANCE:100M Ohm MIN AT DC 500V.

1-4.DIELECTRIC WITHSTANDING VOLTAGE:AC 100V AC/1 MINUTE 10mA.

**2.MATERIAL:**

2-1.PIN: BRASS

2-2.HOUSING: LCP COLOR:BLACK

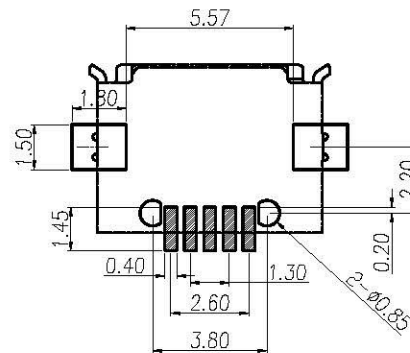
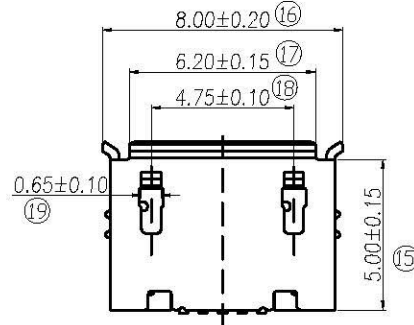
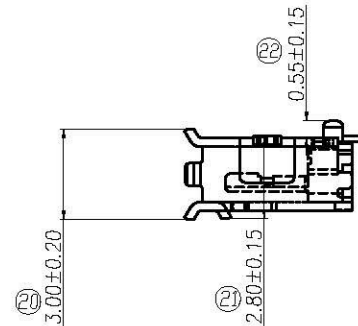
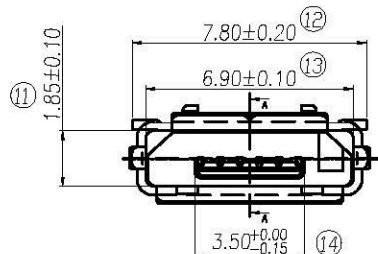
2-3.SHELL: Stainless Steel

**3.PLATING:**

3-1.PIN:UNDERPLATED 50u" MIN,NICKEL OVER ALL.

1u".3u".5u".10u".15u". 30u"GOLD ON CONTACT AREA.  
100u" MIN, TIN ON SOLDER TAILS.

4.Temperature range: -40°C~+85°C



**RECOMMEND P.C.B LAYOUT**

No.	Part Name	Q'ty	Material	Thickness	Finish
3	SHELL	1	Stainless steel	T=0.30±0.01mm	Nickel Plated
2	CONTACT	5	Brass	T=0.20±0.01mm	Gold Flashfd
1	HOUSING	1	LCP		Black

**All Connectors**

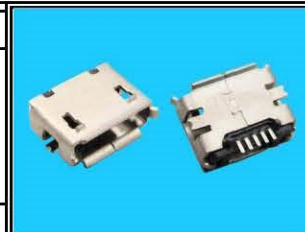
www.allconnectors.de info@allconnectors.de  
Tel.: 0049 711 7003503 Fax: 0049 711 7003504  
70/74 Nilderstadt - Germany Kettenerstr. 25

**RoHS Compliant**

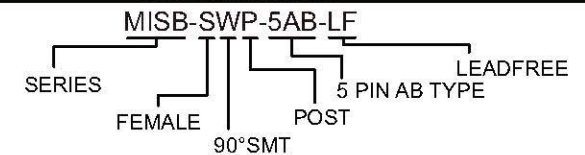
DRAWING BY CY  
CHECKED BY GENIUS  
UNIT/mm SCALE 1:1  
DATE  
SIZE A4 PROJECTION

TOLERANCES ARE

X ±  
X ±  
.XX ±  
.XXX ±  
ANG ±



**ORDER INFORMATION**



DESCRIPTION: MICRO USB 5PIN(F) A B TYPE