

RECOMMEND P.C.B LAYOUT

**NOTE:**

**1.ELECTRICAL PROPERTIES:**

- 1-1.CONTACT CURRENT RATING:1.8A(ONLY PIN1,5) AT THE SAME TIME OTHER 1A(ONLY PIN2,3 4).
- 1-2.CONTACT RESISTANCE:30m Ohm MAX
- 1-3.INSULATION RESISTANCE:100M Ohm MIN AT DC 500V.
- 1-4.DIELECTRIC WITHSTANDING VOLTAGE:AC 100V AC/1 MINUTE 10mA.

**2.MATERIAL:**

- 2-1.PIN: BRASS
- 2-2.HOUSING: LCP COLOR:BLACK
- 2-3.SHELL: Stainless Steel

**3.PLATING:**

- 3-1.PIN:UNDERPLATED 50u" MIN,NICKEL OVER ALL.  
1u".3u".5u".10u".15u". 30u"GOLD ON CONTACT AREA.  
100u" MIN, TIN ON SOLDER TAILS.
- 3-2. SHELL: 30~80u",NICKEL OVER ALL.
- 4.Temperature range: -40°C~+85°C

No.	Part Name	Q'ty	Material	Thickness	Finish
3	SHELL	1	Stainless steel	T=0.30±0.01mm	Nickel Plated
2	CONTACT	5	Brass	T=0.20±0.01mm	Gold Flashfd
1	HOUSING	1	LCP		Black

**RoHS Compliant**

**All Connectors**

www.allconnectors.de info@allconnectors.de  
Tel.: 0049 711 7009503 Fax: 0049 711 7009504  
70794 Filderstadt - Germany Kettenerstr. 25

DRAWING BY CY  
CHECKED BY GENIUS  
UNIT/ mm SCALE 1:1  
DATE  
SIZE A4

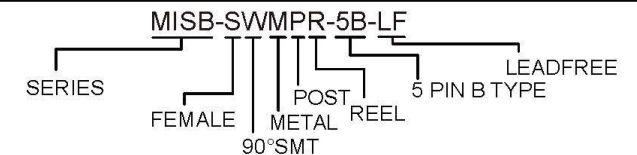
TOLERANCES ARE

X ±  
X.0 ± 0.30  
.XX ± 0.20  
.XXX ± 0.10  
ANG ±

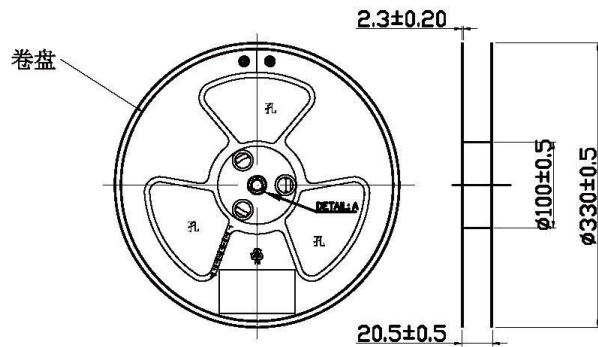
PJECTION



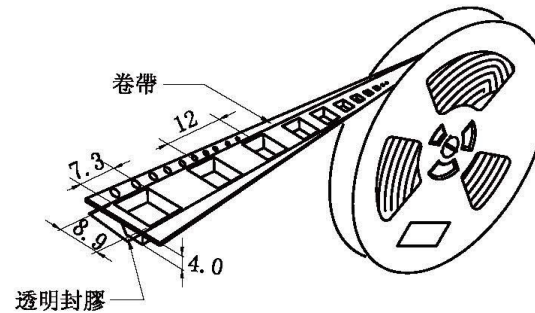
ORDER INFORMATION



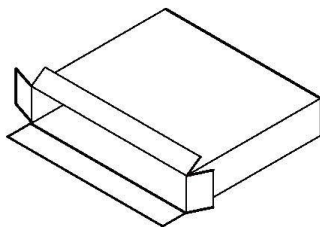
DESCRIPTION: MICRO USB 5PIN(F) B TYPE (有定位柱)



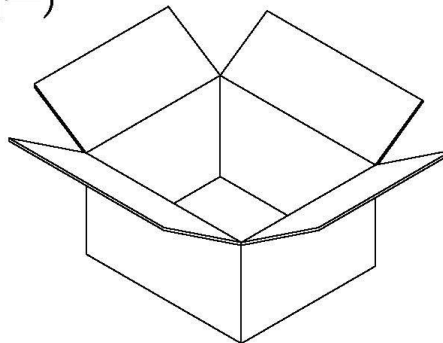
卷帶盤(圖一)



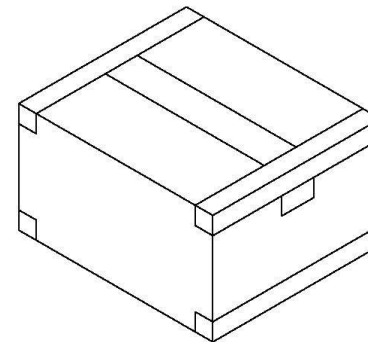
卷裝圖示(圖二)



未封好  
內紙箱  
(圖三)  
包裝說明



未封好  
外紙箱  
(圖四)



封好外  
紙箱  
(圖五)

1. 每卷帶盤裝1500PCS, 不可少數, 成品在盤內不可活動, 裝好後使用自動卷裝機粘合上透明封膠. 如圖(一, 二)所示. 卷帶盤規格為 $\phi 330.0 \times 20.5 \text{MM}$ .
2. 將裝好的卷帶盤放入內紙箱內, 每個內紙箱放2盤, 用透明膠密封, 再將封裝好的內紙箱放入外紙箱中, 每個外紙箱放8個內紙箱, 共有產品24.0K, 最後用透明膠密封外紙箱. 如圖(三, 四, 五)所示. 內紙箱規格為 $350 \times 350 \times 58 \text{MM}$ , 外紙箱規格為 $355 \times 368 \times 530 \text{MM}$
3. 紙箱外貼上環保標簽, 合格標簽, 產品規格說明, 並且貼在外箱側面的箱面規格說明的右上方 (僅貼一側)
4. 包裝材料:(JPL007, RR002, ZX011, ZX004)

**All Connectors**

www.allconnectors.de info@allconnectors.de  
Tel.: 0049 711 7009503 Fax: 0049 711 7009504  
70794 Filderstadt - Germany Kettenerstr. 25

**RoHS Compliant**

DRAWING BY CY  
CHECKED BY GENIUS  
UNIT/ mm SCALE 1:1  
DATE  
SIZE A4

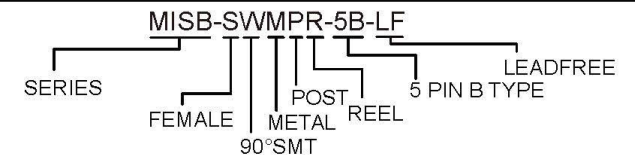
TOLERANCES ARE

X ±  
X ±  
.XX ±  
.XXX ±  
ANG ±

PJECTION



ORDER INFORMATION



DESCRIPTION: