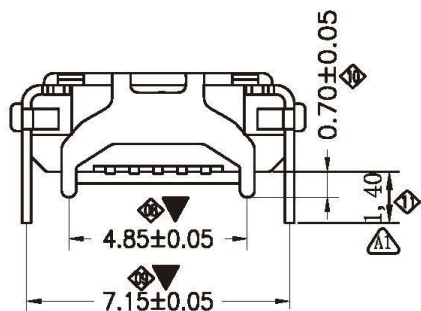
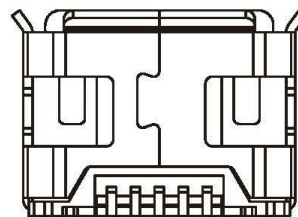
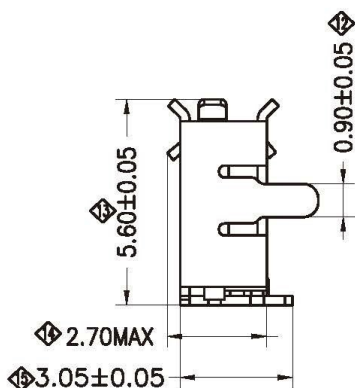
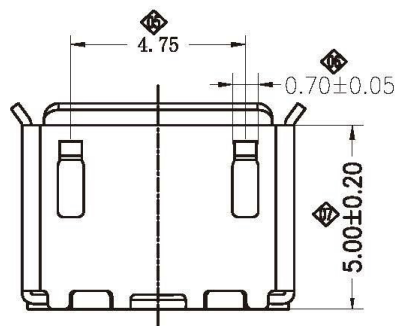


RECOMMENDED PCB LAYOUT



规格说明: Specifications:

电气特性: Electrical:

1. 额定电流: Current Rating
1.0A/contact terminal
2. 额定电压: Voltage Rating
30V DC
3. 接触阻抗: Contact Resistance
50 milliohms MAX
4. 耐电压: Dielectric Withstanding Voltage:
300 V AC AT Sea Level
5. 绝缘阻抗: Insulation Resistance:
100MEGA ohms MIN

物理性能: Mechanical:

1. 插拔力: Connector Mate and Unmate Force
Mate force: 3.0kgf (MAX)
Unmate force: 0.7kgf (MIN)
2. 端子保持力: Terminal Retention
0.5kgf (MIN)

原材料: Material:

1. 塑胶: Housing:
Hing Temperature Thermoplastics,
UL 94V-0 LCP Black
2. 端子: Contact: Copper Alloy C5191 T=0.15
3. 外壳: Shell: Copper Alloy C2680 T=0.25

电镀: Finish:

1. 端子: Contact: Plated Gold in Mating Area;
2. 外壳: Shell:
Nickel Plating

All Connectors

www.allconnectors.de info@allconnectors.de
Tel.: 0049 711 7009503 Fax: 0049 711 7009504
70794 Filderstadt - Germany Kettenerstr. 25

RoHS Compliant

DRAWING BY CY
CHECKED BY GENIUS
UNIT/ mm SCALE 1:1
DATE
SIZE A4

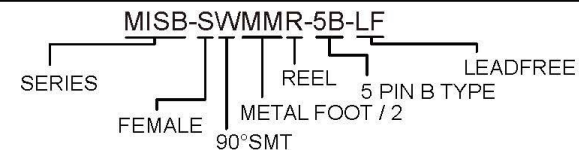
TOLERANCES ARE

X ± 0.30
X ± 0.20
.XX ± 0.15
.XXX ± 0.10
ANG ± 5°

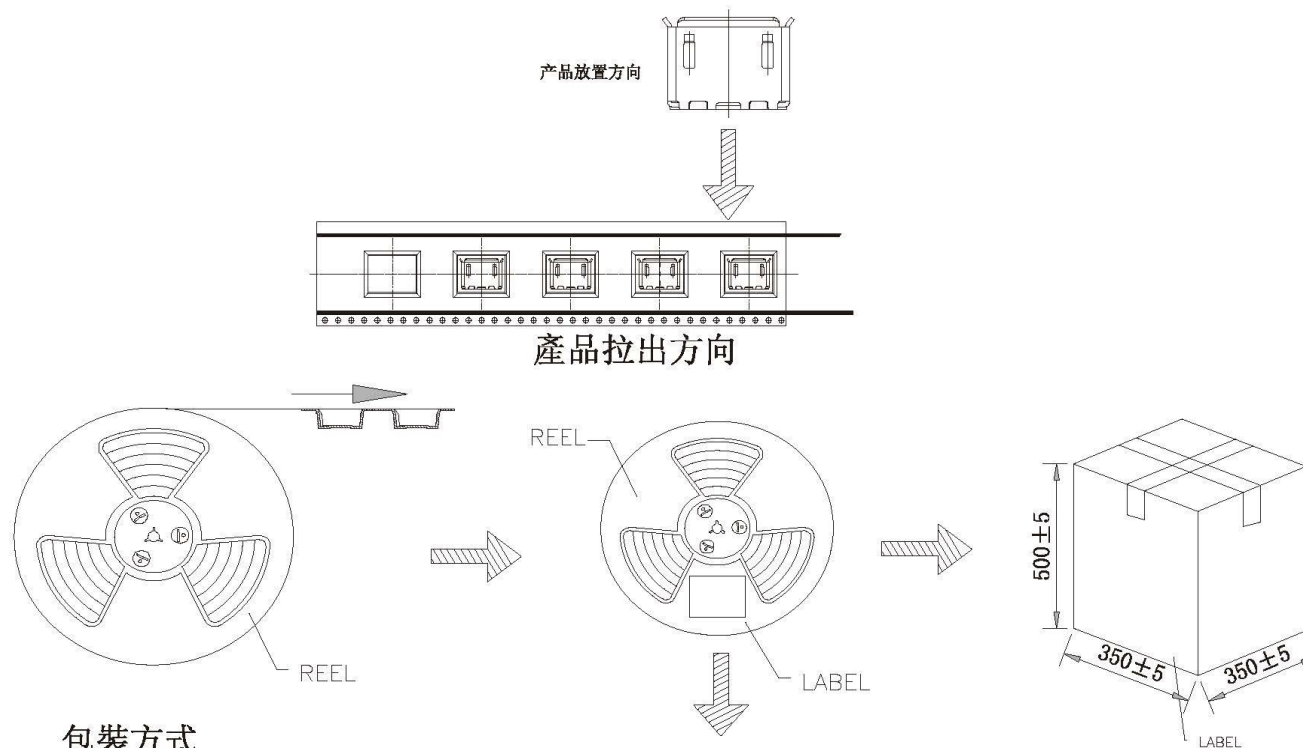
PJECTION



ORDER INFORMATION



DESCRIPTION:



包裝方式

1. 載帶每盤前后各空10格不裝產品, 依右圖产品放置方向每個孔裝一個成品, 一盤共裝成品1500PCS。
2. 在裝好产品的卷盘上贴上物料标签。
3. 將裝好产品的卷盘放入紙箱中, 每箱裝14盤, 共裝成品1500x14=21000PCS。
4. 紙箱側嘜上方貼上標籤, 並填寫相應品名, 料號, 數量, 日期, 訂單號, 客戶料號等。
5. 將裝有成品的載帶裝入紙箱內, 用透明膠封好箱。

- 備注
1. 包裝不可有多裝, 漏裝標籤寫錯等不良現象。
 2. 包裝不可有混料, 紙箱必須封成工字型。
 3. 產品須注意輕拿輕放。

All Connectors

www.allconnectors.de
Tel.: 0049 711 7009503
70794 Filderstadt - Germany

info@allconnectors.de
Fax: 0049 711 7009504
Kettenerstr. 25

RoHS Compliant

DRAWING BY CY
CHECKED BY GENIUS
UNIT/ mm SCALE 1 : 1
DATE
SIZE A4

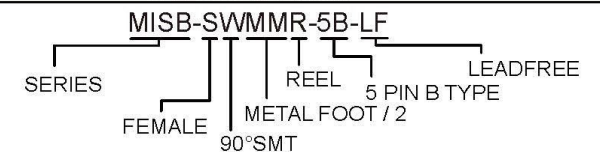
TOLERANCES ARE

X ±
.X ±
.XX ±
.XXX ±
ANG ±

PJECTION



ORDER INFORMATION



DESCRIPTION: