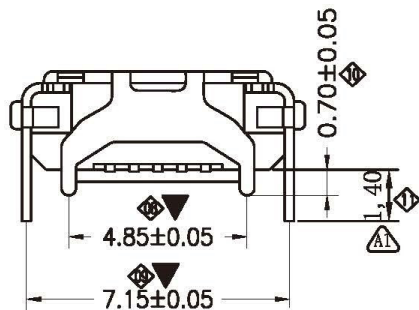
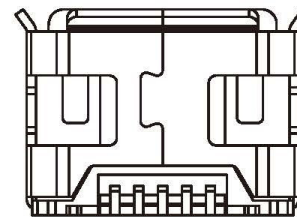
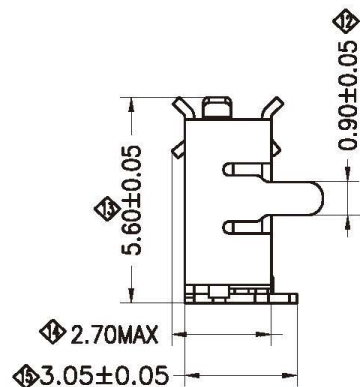
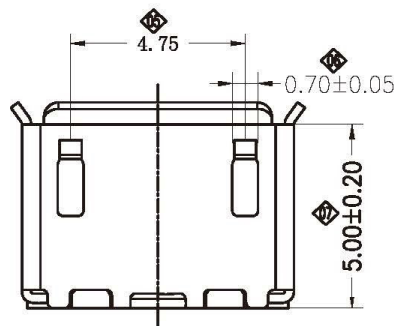


RECOMMENDED PCB LAYOUT



规格说明: Specifications:
电气特性: Electrical:

1. 额定电流: Current Rating
1.0A/contact terminal
2. 额定电压: Voltage Rating
30V DC
3. 接触阻抗: Contact Resistance
50 milliohms MAX
4. 耐电压: Dielectric Withstanding Voltage:
300 V AC AT Sea Level
5. 绝缘阻抗: Insulation Resistance:
100MEGA ohms MIN

物理性能: Mechanical:

1. 插拔力: Connector Mate and Unmate Force
Mate force: 3.0kgf (MAX)
Unmate force: 0.7kgf (MIN)
2. 端子保持力: Terminal Retention
0.5kgf (MIN)

原材料: Material:

1. 塑胶: Housing:
High Temperature Thermoplastics,
UL 94V-0 LCP Black
2. 端子: Contact: Copper Alloy C5191 T=0.15
3. 外壳: Shell: Copper Alloy C2680 T=0.25

电镀: Finish:

1. 端子: Contact: Plated Gold in Mating Area;
2. 外壳: Shell:
Nickel Plating

All Connectors

www.allconnectors.de info@allconnectors.de
Tel.: 0049 711 7009503 Fax: 0049 711 7009504
70794 Filderstadt - Germany Kettenerstr. 25

RoHS Compliant

DRAWING BY CY
CHECKED BY GENIUS
UNIT / mm SCALE 1 : 1
DATE
SIZE A4

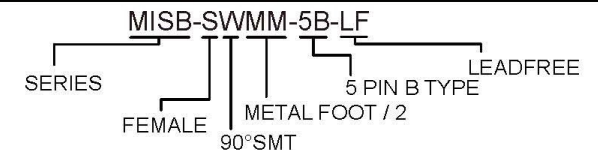
TOLERANCES ARE

X ± 0.30
X ± 0.20
.XX ± 0.15
.XXX ± 0.10
ANG ± 5°

PJECTION



ORDER INFORMATION



DESCRIPTION: