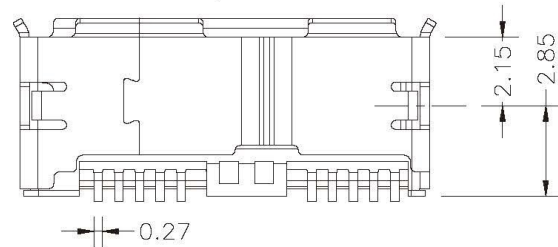
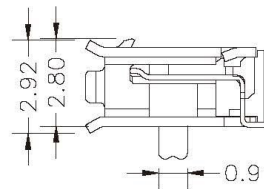
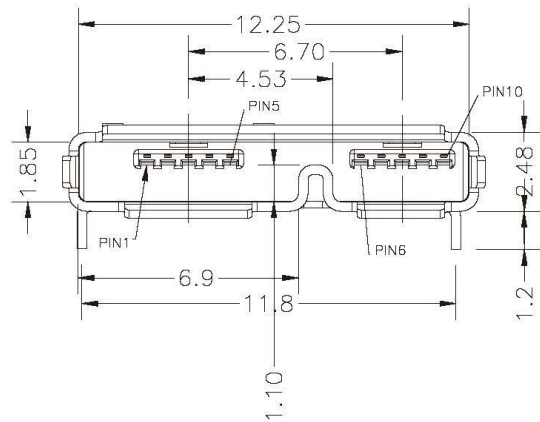


P.B.C LAYOUT
TOP VIEW ±0.05



MATERIALS

HOUSING: HI-TEMP. PLASTIC (UL 94V-0)
SHELL: STAINLESS STEEL, TIN PLATING
TERMINAL: COPPER ALLOY, GOLD PLATED

SPECIFICATION

CURRENT RATING: 0.5 AMP MAX (ONLY PIN 1, 5), OTHER 1 AMP MAX
DIELECTRIC WITHSTANDING: 100V AC FOR ONE MINUTE
CONTACT RESISTANCE: 30m OHMS MAX
INSULATION RESISTANCE: 100M OHMS MIN AT DC 500V
OPERATION TEMPERATURE: -25°C~+105°C

RoHS Compliant

Allconnectors

www.allconnectors.de info@allconnectors.de
Tel.: 0049 711 7009503 Fax: 0049 711 7009504
70794 Filderstadt - Germany Kettnerstr. 25

| | |
|-------------------|-------------|
| DRAWING BY CY | |
| CHECKED BY GENIUS | |
| UNIT / mm | SCALE 1 : 1 |
| DATE | |
| SIZE A4 | PPOJECTION |

TOLERANCES ARE

X ±
.X ±
.XX ±
.XXX ±
ANG ±



ORDER INFORMATION

MISB-SWM-10AB-LF
SERIES | LEADFREE
10 PIN AB TYPE
METAL FOOT
90°SMT
FEMALE

DESCRIPTION: MICRO USB 3.0 AB TYPE, SMT, PCB MOUNT, METAL SHIELD, FEMAL (DIP SHELL)