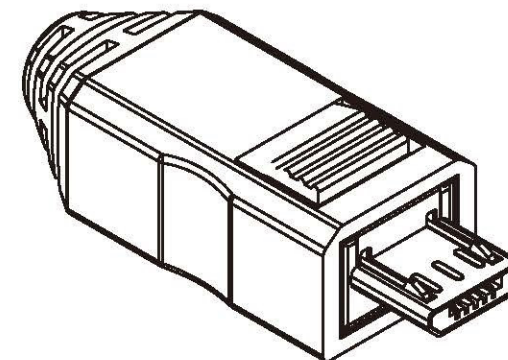
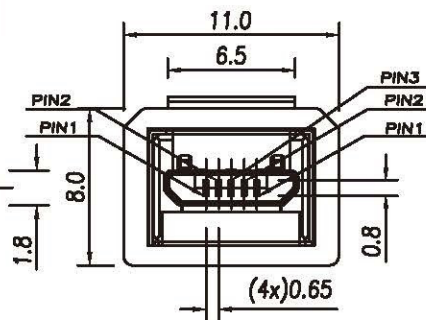


TABLE A



- NOTE:
- SAFETY:
 - RATING: 0.5A/250Vac.
 - CONTACT RESISTANCE: 30mOhm MAX.
 - INSULATION RESISTANCE: 100Mohm MIN.
 - DIELECTRIC WITHSTANDING VOLTAGE: 100Vac/1minute.
 - DURABILITY: 10,000cycles.
 - MATERIAL:
 - PIN: PHOSPHOR BRONZE.
 - HOUSING: NYLON COLOR: TABLE A $\Delta\Delta$
 - LATCH: STAINLESS #304.
 - SHELL: STAINLESS #304. Δ
 - COVER: NYLON 66 COLOR: BLACK. Δ
 - PLATING:
 - PIN: GOLD 15u" MIN ON CONTACT AREA, TIN 100u" MIN ON SOLDER TAILS, UNDERPLATED NICKEL OVER ALL 60u" MIN.

All connectors

www.allconnectors.de info@allconnectors.de
 Tel.: 0049 711 7009500 Fax: 0049 711 7009504
 70794 Filderstadt - Germany Kettenstr. 25

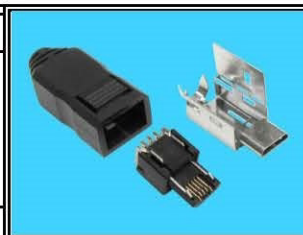
RoHS Compliant

DRAWING BY CY
 CHECKED BY GENIUS
 UNIT/mm SCALE 1:1
 DATE
 SIZE A4

TOLERANCES ARE

X ±
 .X ±
 .XX ±
 .XXX ±
 ANG ±

PROJECTION



ORDER INFORMATION

MISB-PAxx-5B-LF
 SERIES MALE LEADFREE
 5 PIN B TYPE
 BK:BLACK
 WH:WHITE
 ASSEMBLY

DESCRIPTION: MICRO USB 5PIN(M) B TYPE