

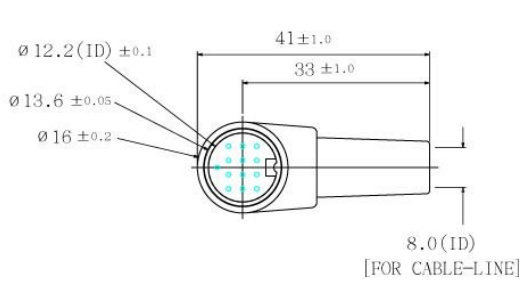
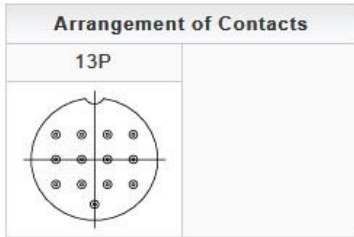


Specifications	
Plastic Core:	Nylon 101F NC010 UL94V2
Contact Terminal:	BSR-H R-35 Silver PTD
Cover:	Diecast Nickel
Body:	Diecast Nickel
Clip Ring:	BSR-H 0.8t Nickel
Plastic Trail:	PVC UL94
Screw:	2AAR1050 Nickel M3x0.5L-10.1
Contact rating:	3A.34V DC
Dielectric withstanding voltage:	500V (rms)
Insulation Resistance:	300MΩ Min. at 500V DC
Leakage resistance:	10000mΩ

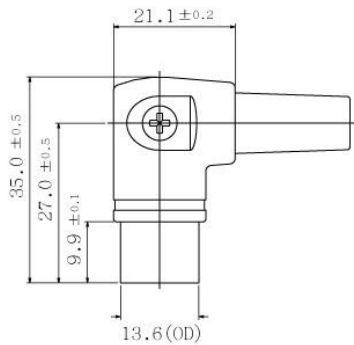
Characteristics
Solder Type
Metal Screw
13 Pin

Substitute Items

Mating Items
D-6095
D-1090
D-1091



FRONT VIEW



SIDE VIEW

Allconnectors

www.allconnectors.eu | info@allconnectors.eu
Tel. +49 (0)711 / 358 110 20 | Fax +49 (0)711 / 358 110 25

Multi-Pole Plug / 13 Pin

D-6008

DATE

UNIT: mm



1 / 1

A0

A4