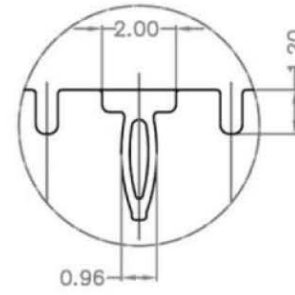
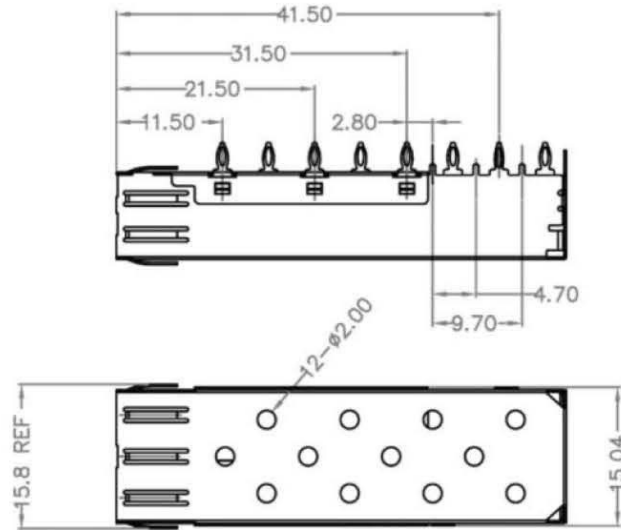
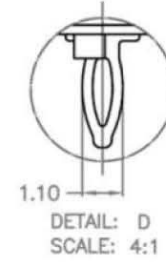


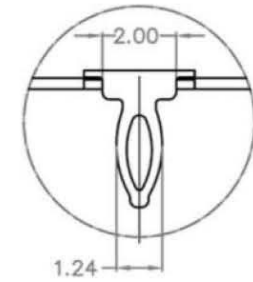
DETAIL: A
SCALE: 2.5:1



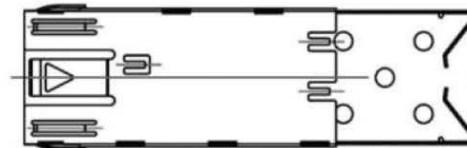
DETAIL: C
SCALE: 4:1



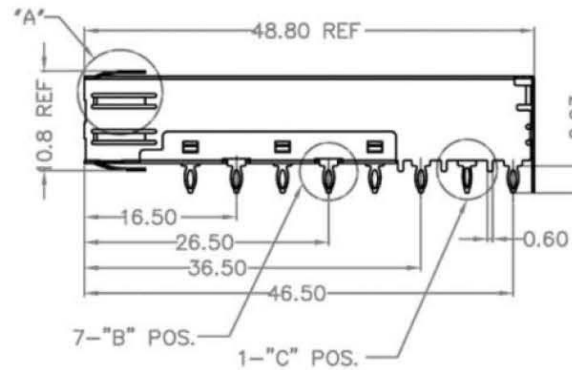
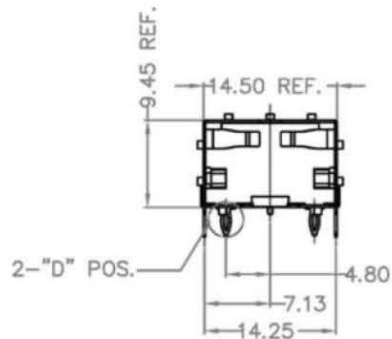
DETAIL: D
SCALE: 4:1



DETAIL: B
SCALE: 4:1



MATERIALS
METAL SHIELD: COPPER ALLOY, NICKEL PLATING



RoHS Compliant

Allconnectors

www.allconnectors.de
Tel.: 0049 711 7009503
70754 Filberstadt - Germany

info@allconnectors.de
Fax: 0049 711 7009504
Kettnerstr. 25

DRAWING BY CY

CHECKED BY GENIUS

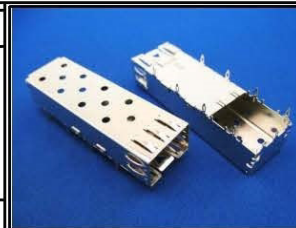
UNIT / mm SCALE 1 : 1

DATE

SIZE A4 PROJECTION

TOLERANCES ARE

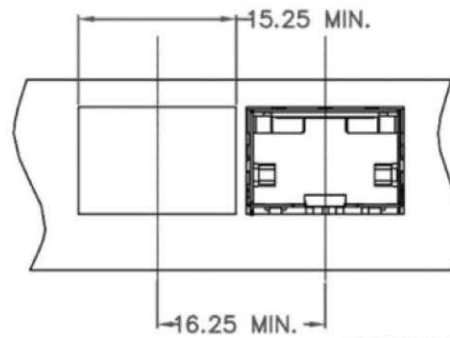
X ±
X ± 0.25
.XX ± 0.15
.XXX ± 0.05
ANG ±



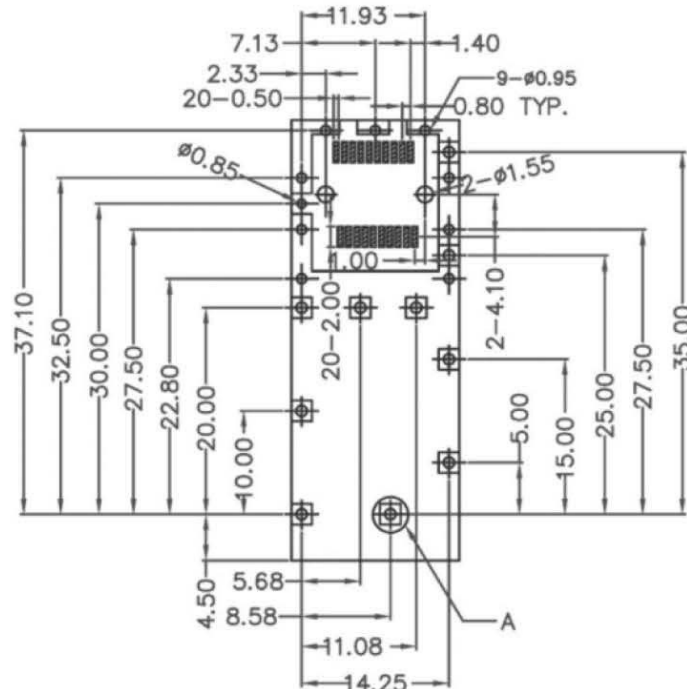
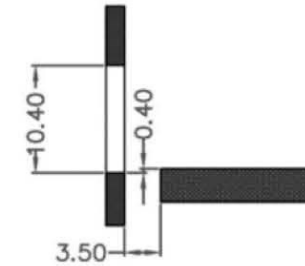
ORDER INFORMATION

SFP-SCQ-20-LF
SERIES | | | | | LEADFREE
| | | | | 20 WAY
| | | | | 90° PRESS FIT
CAGE
FEMALE

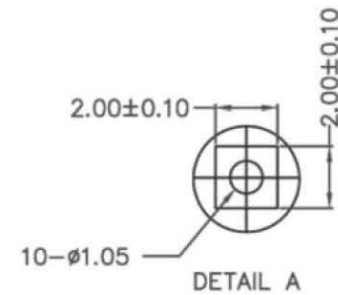
DESCRIPTION: SFP CAGE R/A METAL SHIELD PRESS FIT TYPE



RECOMMENDED PANEL DESIGN



P.C.B. LAYOUT
TOP VIEW ±0.05



All Connectors

www.allconnectors.de
Tel.: 0049 711 7009503
70754 Filderstadt - Germany

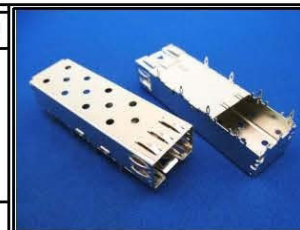
info@allconnectors.de
Fax: 0049 711 7009504
Kettnerstr. 25

RoHS Compliant

DRAWING BY CY
CHECKED BY GENIUS
UNIT / mm SCALE 1 : 1
DATE
SIZE A4 PROJECTION

TOLERANCES ARE

X ±
X ± 0.25
.XX ± 0.15
.XXX ± 0.05
ANG ±



ORDER INFORMATION

SFP-SCQ-20-LF
SERIES | | | | | LEADFREE
| | | | | 20 WAY
| | | | | 90° PRESS FIT
CAGE
FEMALE

DESCRIPTION: