
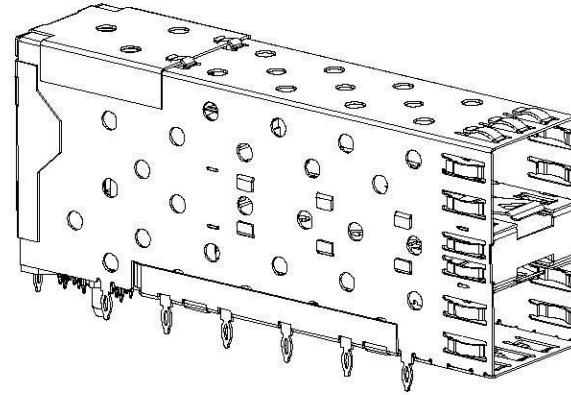
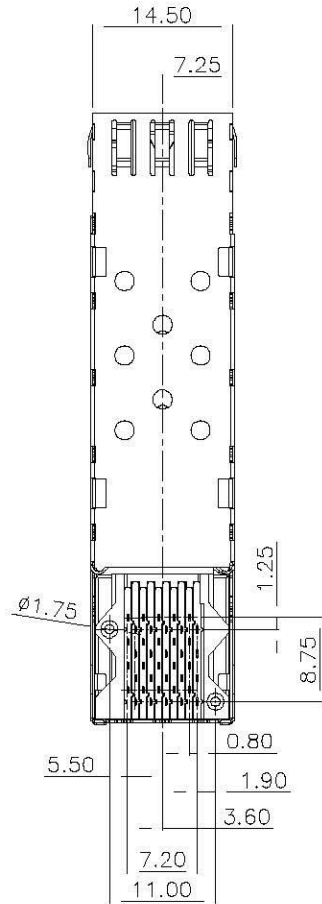



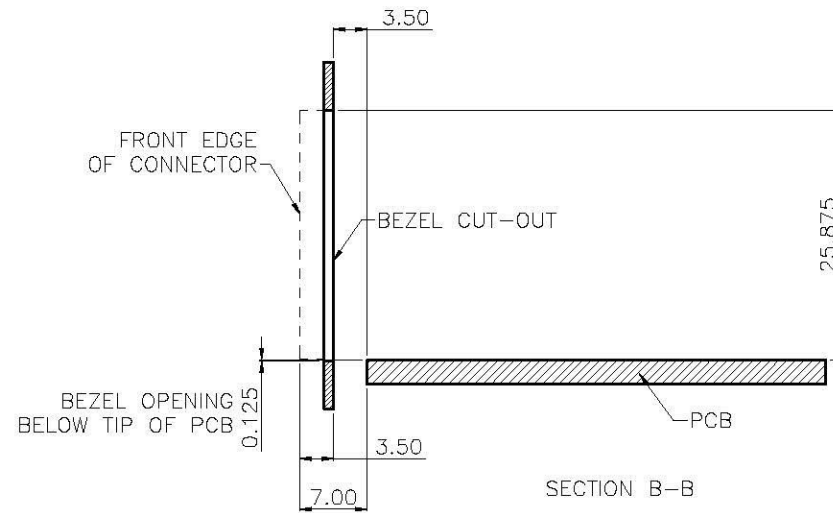
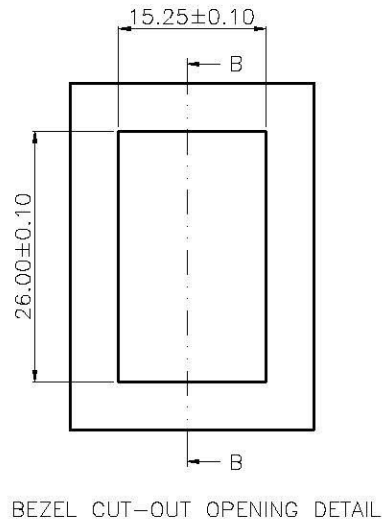
EDGE OF BOARD
 RECOMMENDED PCB LAOUT (COMPONENT SIDE)
 PCB TOLERANCE: ± 0.05


	NOT SCALED DRAWING	TOLERANCE UNLESS OTHERWISE NOTICE	INCH	MM	DR. Nina	DATE MAY-06-12	
HL-SFP 2X1	THIRD ANGLE PROJECTION	LINEAR $\frac{MM}{INCH}$.00 \pm 0.01 .000 \pm 0.005 .0000 \pm 0.002	.00 \pm 0.25 .000 \pm 0.13 .0000 \pm 0.05	CK'D Jack	MAY-06-12	
DWG. NO. HL012052162	MM INCH	ANGLE $+0^\circ 30'$	RADIL	+0.45 -0.15	APP'D Jack	MAY-06-12	www.allconnectors.de Tel.: 0049 711 7009503 70794 Filderstadt - Germany
							info@allconnectors.de Fax: 0049 711 7009504 Kettermerstr. 25

RoHS Compliant



	NOT SCALED DRAWING	TOLERANCE UNLESS OTHERWISE NOTICE	INCH	MM	DR. Nina	DATE MAY-06-12	
HL-SFP 2X1	THIRD ANGLE PROJECTION	LINEAR	MM INCH	.00±0.01 .000±0.005 .0000±0.002	CK'D Jack	MAY-06-12	
DWG. NO. HL012052162	MM INCH	ANGLE+0° 30'	RADIL	+0.45 -0.15	APP'D Jack	MAY-06-12	info@allconnectors.de Fax: 0049 711 7009504 Kettenerstr. 25



	NOT SCALED DRAWING	TOLERANCE UNLESS OTHERWISE NOTICE	INCH	MM	DR. Nina	DATE MAY-06-12		
HL-SFP 2X1	THIRD ANGLE PROJECTION	LINEAR	MM INCH	.00 ± 0.01 .000 ± 0.005 .0000 ± 0.002	CK'D Jack	MAY-06-12		www.allconnectors.de
DWG. NO. HL012052162	MM INCH	ANGLE + 0° 30'	RADIL	+0.45 -0.15	APP'D Jack	MAY-06-12		info@allconnectors.de Tel.: 0049 711 7009503 70794 Filderstadt - Germany Fax: 0049 711 7009504 Kettnerstr. 25