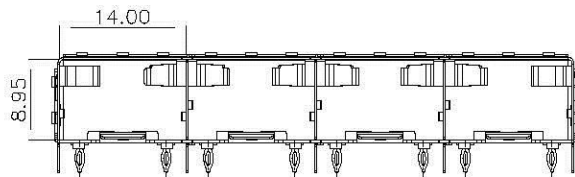
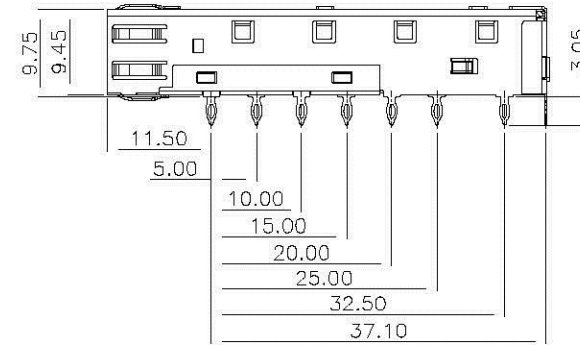
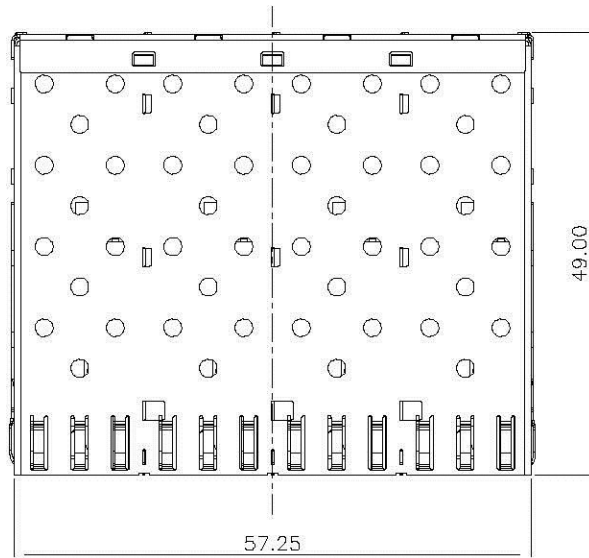



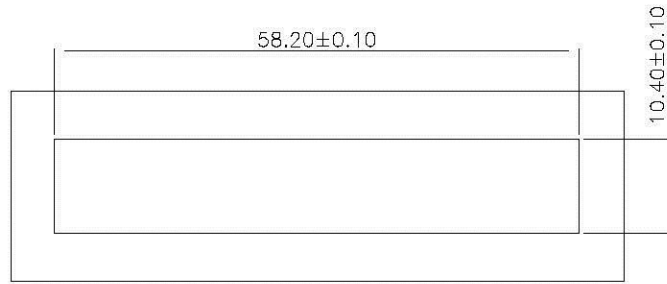
RoHS Compliant



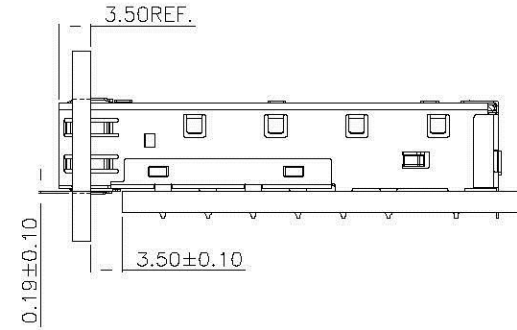
NOTES:
1. MATERIAL: COPPER ALLOY THICKNESS: 0.25MM

	NOT SCALED DRAWING	TOLERANCE UNLESS OTHERWISE NOTICE	INCH	MM	DR. Nina	DATE MAY-06-12		
HL-SFP 1X2	THIRD ANGLE PROJECTION	LINEAR $\frac{MM}{INCH}$.00±0.01 .000±0.005 .0000±0.002	.00±0.25 .000±0.13 .0000±0.05	CK'D Jack	MAY-06-12		www.allconnectors.de
DWG. NO. HL012052166	MM INCH	ANGLE+0° 30'	RADIL	+0.45 -0.15	APP'D Jack	MAY-06-12		info@allconnectors.de Tel.: 0049 711 7009503 70794 Filderstadt - Germany
							info@allconnectors.de Fax: 0049 711 7009504 Kettenerstr. 25	

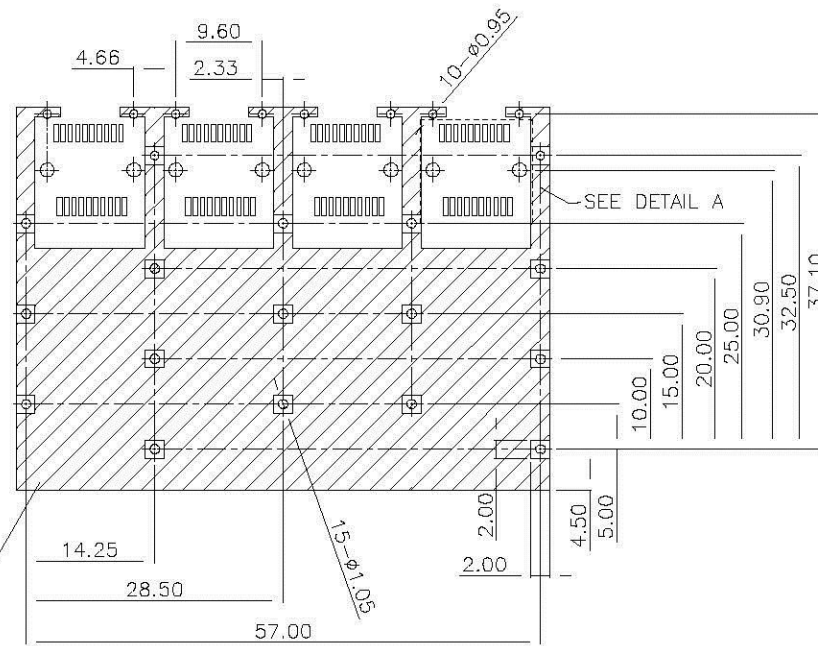
RoHS Compliant



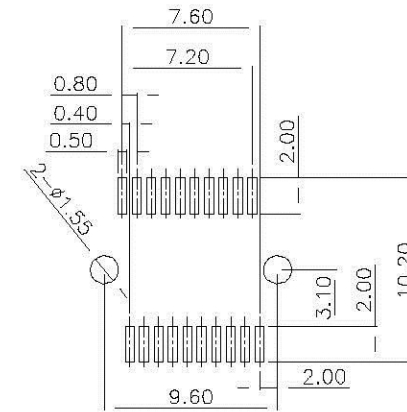
BEZEL



BEZEL OPENING
BELOW TIP OF PCB



CROSS-HATCHED AREA DENOTES
COMPONENT AND TRACE KEEP-OUT



DETAIL A(SCALE 2:1)

EDGE OF BOARD
RECOMMENDED PCB LAYOUT (COMPONENT SIDE)
PCB TOLERANCE: ±0.05

◻ ◻ ◻ 圓孔均为通孔。

	NOT SCALED DRAWING	TOLERANCE UNLESS OTHERWISE NOTICE	INCH	MM	DR. Nina	DATE MAY-06-12	Allconnectors
HL-SFP 1X4	THIRD ANGLE PROJECTION	LINEAR	MM INCH	.00±0.01 .000±0.005 .0000±0.002	CK'D Jack	MAY-06-12	
DWG. NO. HL012052166	MM INCH	ANGLE+0° 30'	RADIL	+0.45 -0.15	APP'D Jack	MAY-06-12	www.allconnectors.de Tel.: 0049 711 7009503 70794 Filderstadt - Germany
							info@allconnectors.de Fax: 0049 711 7009504 Kettermerstr. 25