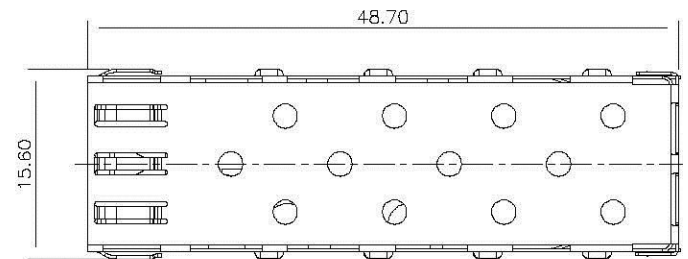
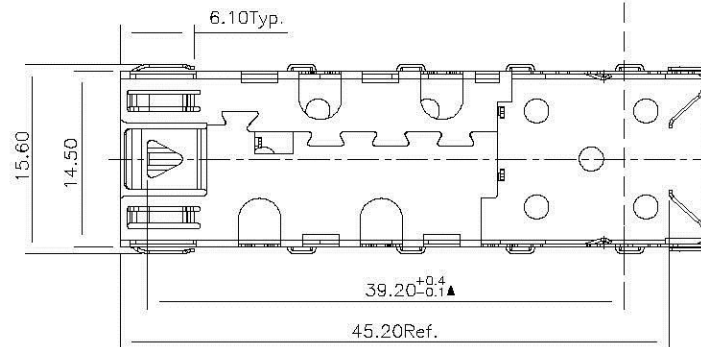
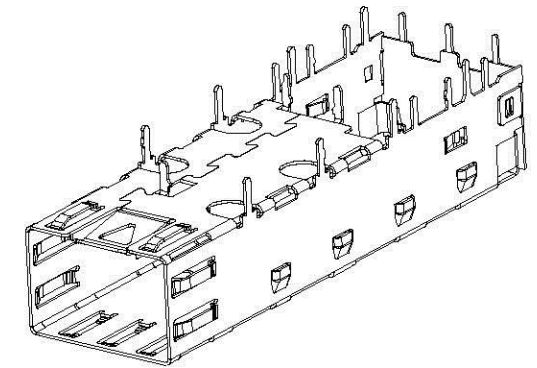
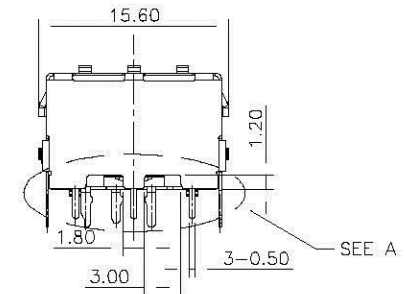
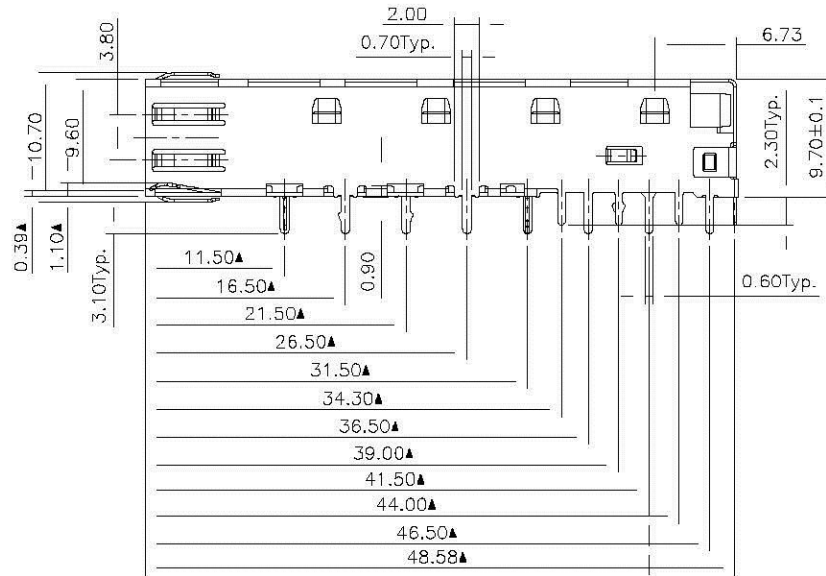
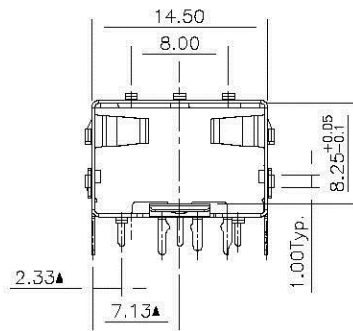


RoHS Compliant



技术要求:

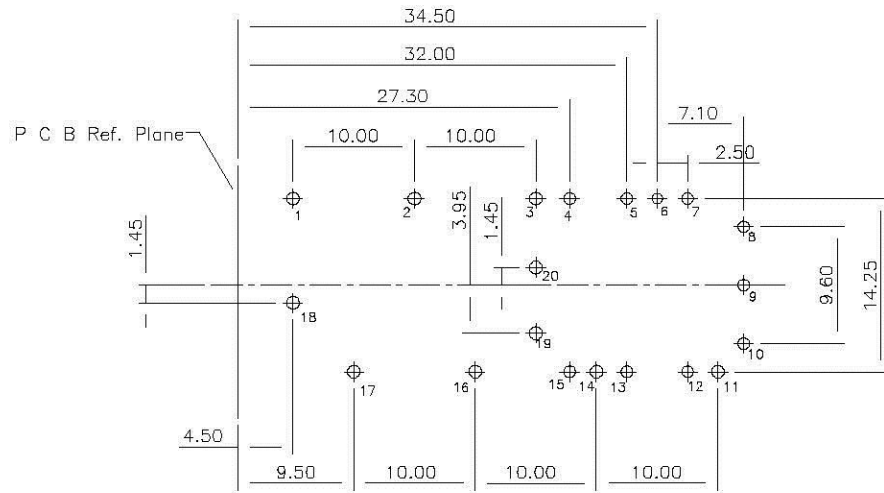
- 1、表面无氧化、手印、锈斑、裂纹、脱皮等缺陷。
- 2、材料：洋白铜，C7701R-H，0.25t，无需电镀。
- 3、使用温度：-40° ~ +85°
- 4、焊接的最高温度可达：325°，时间可达：5S；
- 5、凡注▲记号为重点尺寸。

	NOT SCALED DRAWING	TOLERANCE UNLESS OTHERWISE NOTICE	INCH	MM	DR. Nina	DATE MAY-06-12
HL-SFP 1X1	THIRD ANGLE PROJECTION	LINEAR	MM INCH	.00±0.01 .000±0.005 .0000±0.002	CK'D Jack	MAY-06-12
DWG. NO. HL012052162	MM INCH	ANGLE+0° 30'	RADIL	+0.45 -0.15	APP'D Jack	MAY-06-12

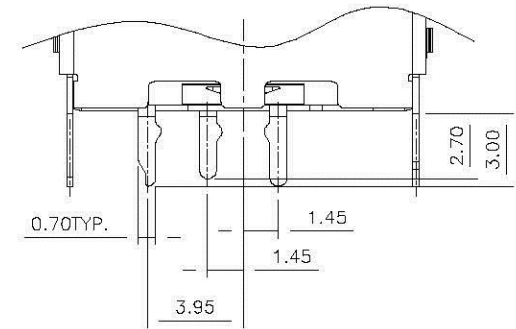
**Allconnectors**

www.allconnectors.de  
Tel.: 0049 711 7009503  
70794 Filderstadt - Germany

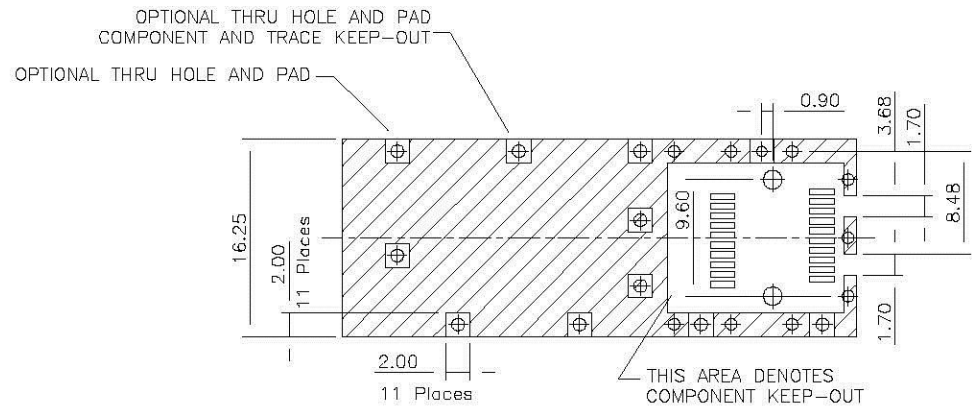
info@allconnectors.de  
Fax: 0049 711 7009504  
Kettererstr. 25



RECOMMENDED PCB LAYOUT (TOP VIEW)  
(ALL TOLERANCES ARE ±0.05)

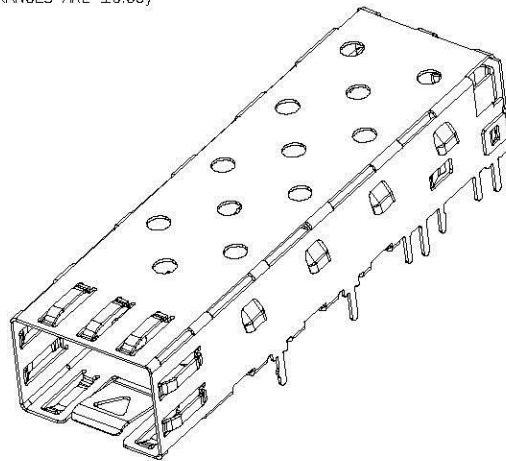


DETAIL A(2:1)



NOTE:

- 1, 2, 3, 11, 14, 16, 17, 18, 19, 20#孔直径为1.05mm;
- 4, 5, 7, 8, 9, 10, 12, 13, 15#孔直径为0.95mm;
- 6#孔直径为0.85mm;



	NOT SCALED DRAWING	TOLERANCE UNLESS OTHERWISE NOTICE	INCH	MM	DR. Nina	DATE MAY-06-12	
HL-SFP 1X1	THIRD ANGLE PROJECTION	LINEAR	MM INCH	.00±0.01 .000±0.005 .0000±0.002	CK'D Jack	MAY-06-12	
DWG. NO. HL012052162	MM INCH	ANGLE+0° 30'	RADIL	+0.45 -0.15	APP'D Jack	MAY-06-12	<a href="http://www.allconnectors.de">www.allconnectors.de</a> Tel.: 0049 711 7009503 70794 Filderstadt - Germany
							info@allconnectors.de Fax: 0049 711 7009504 Kettermerstr. 25